



FILTERS



REGULATORS



LUBRICATORS



FILTER/REGULATORS



STAINLESS STEEL  
AIR PREPARATION



MODULARS



CUSTOM SOLUTIONS



# PRODUCT CATALOG



# Introduction

**M**onnier, Inc. has been manufacturing the highest quality filters, regulators and lubricators in Algonac, Michigan since 1929. Our expansive line of air preparation products ensures that any compressed air system has the appropriate level of filtration, a precise and consistent line pressure and, when appropriate, the correct amount of lubricant in the air.

## Particulate Filters

Available with 20, 10 or 3 micron elements, Monnier's particulate filters feature depth filtration elements for maximum particulate removal with minimal pressure drop even over extended duty cycles in extremely demanding applications. The centrifugal action created by the whirl disc provides excellent bulk water removal characteristics as well.

## Coalescing Filters

A weave of borosilicate glass fibers form millions of complex paths within Monnier's coalescing elements, ensuring that liquid and solid contaminants are removed as the air passes through the cross section of the element.

## Regulators

Monnier's regulators provide precise and repeatable pressure to downstream components. The 1/8" through 1/2" assemblies feature a diaphragm design for maximum precision while the larger sizes utilize a piston construction to provide greater flow.

## Lubricators

The Monnier Micro-Vapor™ lubricators provide a consistent ratio of oil to air to guarantee the long life of downstream pneumatic equipment. Filter/Regulators and FRL Combinations: A wide variety of combinations can be ordered pre assembled to minimize installation time.

## The Strength of the Monnier Product Line

Monnier machines 97% of the metal components in its air preparation equipment from bar stock, providing enhanced strength, durability and ruggedness. In demanding applications, Monnier's filters, regulators and lubricators will outlast its competition routinely.

## Anodizing

All of Monnier's products can be ordered anodized in any of our eight standard colors. The anodizing process adds a layer of corrosion resistance, surface hardness and enhanced aesthetics.

As a constant innovator in the air preparation industry, Monnier is proud to announce multiple **new products in the catalog**, including:

- 101-3100-M Manifold mount regulator (pg.25)
- 7000, 8000 and 9000 Series high flow particulate and coalescing filters (pgs. 20-21)
- 108-1000 Series regulators (pg. 29)
- B05-1000 Series filter/regulators (pg. 54)
- MCV Dilating o-ring check valves (pg. 73)
- MRFC Flow controls (pg. 73)

**WARRANTY:** Monnier, Inc. warrants each product against defects in material and workmanship for a period of one year from the date of manufacture providing its use was in accordance with Monnier, Inc. recommendations. If the product fails to perform as warranted, Monnier, Inc. will, at its option, repair or replace the product free of charge. The company will not be liable for incidental or consequential damages. We make no other warranty, expressed or implied, including warranties of merchantability or fitness for a particular purpose.

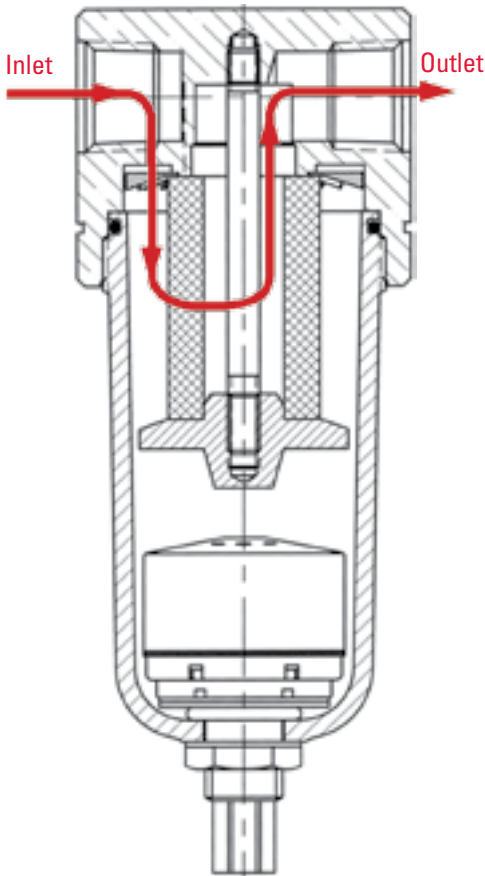
# Table of Contents

<b>Particulate Filters</b>	<b>2</b>	<b>Filter/Regulators</b>	<b>49</b>
204-3000 Miniature Series	4	3000 Miniature Series (Particulate)	50
204-2000 Compact Series	5	3009 Miniature Series (Coalescing)	51
205-1000 Standard Series	6	C01-1000/2000 Series (Particulate)	52
204-1000 Standard Series	7	C01-1009 Standard Series (Coalescing)	53
201-5000 Standard Series	8	B05-1000 Standard Series (Particulate)	54
201-4000 Heavy Duty Series	9	C05-1000 Standard Series (Particulate)	55
201-7202/8202 High Flow Series	10	C05-1009 Standard Series (Coalescing)	56
201-9202 Mainline Series	11		
<b>Coalescing Filters</b>	<b>12</b>	<b>Filter Regulator Lubricators</b>	<b>58</b>
204-3009 Miniature Series	14	<b>Stainless Steel Air Preparation</b>	<b>62</b>
204-2009 Compact Series	15	204S-3200 Series	63
205-1009 Standard Series	16	204S-3209 Series	64
204-1009 Standard Series	17	205S-1200 Series	65
204-4009 Heavy Duty Series	18	205S-1209 Series	66
204-6209 Heavy Duty Series	19	101S-3000 Series	67
201-7208/8208 Series	20	104S-1000 Series	68
201-9208 Series	21	B01S-3200 Series	69
		B01S-3209 Series	70
<b>Regulators</b>	<b>22</b>	C05S-1200 Series	71
101-3000/111-3000/102-3000 Miniature Series	24		
101-3100 Manifold Mount Miniature Series	25	<b>Check Valve &amp; Flow Controls</b>	<b>72</b>
101C-3000 Reverse Flow Miniature Series	26	<b>Air / Oil Reservoirs</b>	<b>74</b>
104-1000 Standard Series	27	<b>Accessories</b>	<b>76</b>
104C-1000 Reverse Flow Standard Series	28	<b>Air Line Modulares</b>	<b>78</b>
108-1000 Standard Series	29	Modular Filters	80
101-1000 Standard Series	30	Modular Coalescing Filters	81
116-4000/5000 Heavy Duty Series	31	Modular Coalescing Filters	82
Iso-Sized Manifold Mount Series	32	Modular Regulators	83
Iso-Sized Manifold Mount Series	33	Modular Regulators	84
Iso-Sized Manifold Mount Series	34	Modular Lubricators	85
118-3000/1000 Pilot Operated Series	35	Modular Integral Filter/Regulators	86
118-5000/4000 Pilot Operated Series	36	Modular Coalescing Regulators	87
101-0500 Subminiature Series	37	Modular Coalescing Regulators	88
UL Label Series	38	Modular Combinations	89
104-3101 Relief Valves	39	Modular Combinations	90
		Modular Accessories	91
<b>Lubricators</b>	<b>40</b>	Modular Accessories	92
305-3000 Miniature Series	42		
304-2000 Compact Series	43	<b>Custom Solutions</b>	<b>94</b>
305-1000 Standard Series	44		
304-1000 Standard Series	45		
304-4000 Large Capacity Series	46		
303-5000 Large Capacity Series	47		
303-4000 Large Capacity Series	48		



# Particulate Filters

Monnier particulate filters remove solid and liquid contaminants from compressed air. The proper selection and use of compressed air filters will prevent many short and long term issues with your compressed air equipment and systems, and save you substantially in down-time and component replacement costs over the life of your compressed air system.



## Filter Function

Monnier particulate filters use two operating principles to remove contaminants from compressed air: Centrifugal force via the whirl disc and particulate impaction by our exclusive dense pack elements.

Air enters the inlet port and is forced through the whirl disc. The whirling action forces all liquids and solids against the bowl wall. Gravity causes them to run down below the quiet-zone baffle where they can be drained. The air then flows through the element where the smaller particles are removed and the filtered air passes downstream.

## Exclusive Dense Pack Element Design

Our unique element design provides multiple points of impaction throughout the cross section of the element. This guarantees that the maximum amount of particulate is captured while also ensuring minimal pressure drop over the long life of the element. 20 Micron filter elements are standard in all particulate filters. Additional options are available, as fine as 3 micron. Please see individual product pages for more details. Care should be taken in selecting the element, ensuring that the inlet air quality and the requirements of the downstream components are considered.

## Optional Components

**Drains:** Manual drains are standard. Impulse Drains ("D") or Float Drains ("F") available, depending on product family.

**Anodizing:** Units can be anodized any of 8 colors. (Colors available: blue, black, clear, green, red, yellow, gold, and purple).

**Pipe Size:** 1/8" - 1-1/2" NPT

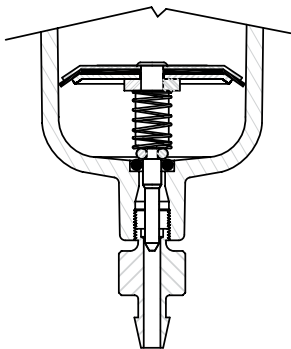
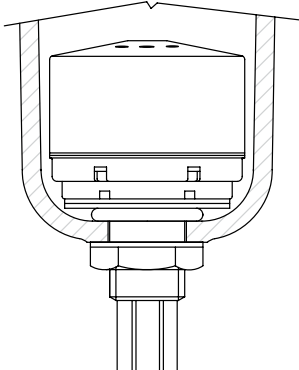
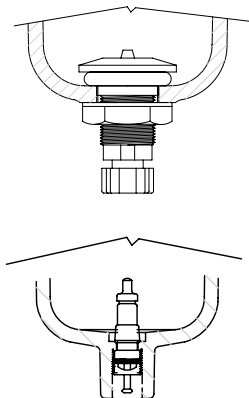
**Mounting holes:** Mounting holes are options that can be incorporated into any of the filters.

**Bowl Options:** Polycarbonate bowls, aluminum bowls, sight levels, and bowl guards available depending on the product family.

# TABLE OF CONTENTS

<b>3000 Miniature Series</b>	4	<b>5000 Series</b>	8
<b>2000 Compact Series</b>	5	<b>4000 Series</b>	9
<b>1000 Standard Series</b>	6, 7	<b>7202/8202 High Flow</b>	10
		<b>9202 Mainline Series</b>	11

## Drain Options

IMPULSE	FLOAT	MANUAL
 <p>The diaphragm in this drain pulses when there is a pressure differential such as a valve cycling or cylinder stroking downstream. This action flexes the diaphragm and allows the filter to drain the entrapped water.</p>	 <p>The float internal to this drain rises with increased liquid level. When the float rises, it opens a seat area allowing the trapped liquids to drain through the bottom. A manual override can be pushed in the bottom of the drain to unseat the float and allow the liquids to drain.</p>	 <p>Manual drain valve operation varies with the product family, from Schrader valves in the miniature 3000 series to petcocks in the larger sizes.</p>

### Caution

Bowl guards are recommended on all polycarbonate bowl filters! All bowl guards are made of heavy-duty stainless steel.

### Warning

Polycarbonate bowls can be damaged and may fail if they are exposed to or come in contact with solvents, strong alkalies, fire resistant and/or synthetic compressor lubricants.

**WARRANTY:** Monnier, Inc. warrants each product against defects in material and workmanship for a period of one year from the date of manufacture providing its use was in accordance with Monnier, Inc. recommendations. If the product fails to perform as warranted, Monnier, Inc. will, at its option, repair or replace the product free of charge. The company will not be liable for incidental or consequential damages. We make no other warranty, expressed or implied, including warranties of merchantability or fitness for a particular purpose.

# PARTICULATE FILTERS: 204-3000 Miniature Series



## Features

- Dense pack element design ensures long element life with minimal pressure drop
- Threaded bowl for ease of maintenance
- 20 micron element standard (10 and 5 micron elements available)
- Manual drain standard, impulse drain available

## Operating Specifications

- Bowl Capacity:** 1 oz.  
**Maximum Pressure Ratings:**  
 - Aluminum Bowl: 250 PSIG  
 - Polycarbonate Bowl: 150 PSIG  
**Temperature Ratings:**  
 - Aluminum Bowl: 0-200°F  
 - Polycarbonate Bowl: 0-120°F

## Accessories & Kits

- Bowl Kit w/ Manual Drain**  
 Polycarbonate: 23520 Aluminum: 23533  
**Bowl Kit w/ Impulse Drain**  
 Polycarbonate: 23521 Aluminum: 23534  
**Elements:**  
 - 20 Micron: 23004  
 - 10 Micron: 23025  
 - 5 Micron: 23040



Manual Drain

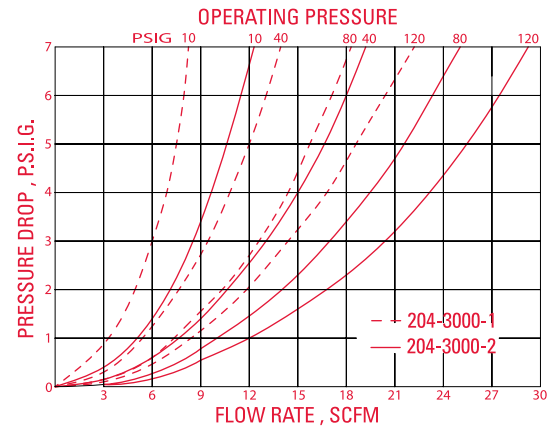


Automatic Drain

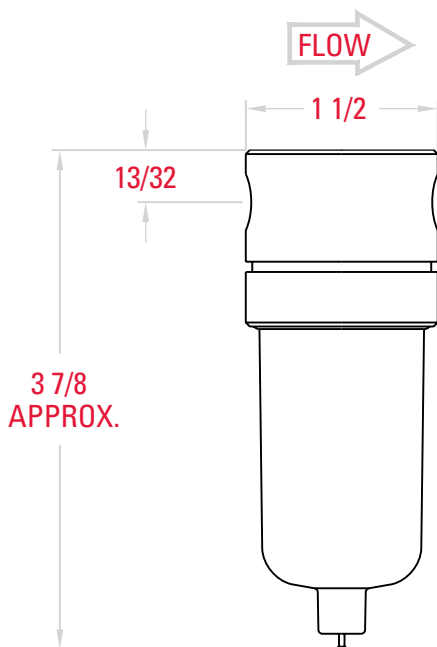
## Materials of Construction

- Head:** Machined Aluminum  
**Bowl:** Polycarbonate or Machined Aluminum  
**Whirl Disc:** Acetal  
**Element Retainer:** Celanese  
**Elements:**  
 - Phenolic Impregnated Cellulose (20 & 10 Micron)  
 - Polypropylene (5 Micron)  
**Seals:** Buna-N (Fluorocarbon available)  
**Drain:** Manual (Brass and Stainless Steel)

## Flow Characteristics



## Dimensions



## Ordering Information

# 204-3000-2

Bowl Type	
Polycarbonate	0
Polycarbonate w/ Bowl Guard	1
Metal	2

Elements	
20 Micron	0
10 Micron	1
5 Micron	2

Pipe Size	
1/8"	1
1/4"	2

### OPTIONS

Anodizing	
No Anodizing	Blank
Blue	A1
Black	A2
Clear	A3
Green	A4
Red	A5
Yellow	A6
Gold	A7
Purple	A8

Drain	
Manual (Standard)	Blank
Impulse	D

Seals	
Buna-N (Standard)	Blank
Fluorocarbon	V

Mounting Hole	
Two 1/4-20 mounting holes on top surface	MH
1/4 NPT mounting hole on side	MS



# PARTICULATE FILTERS: 204-2000 Compact Series



## Features

- Whirl disc creates centrifugal action for maximum water and particulate removal
- Dense pack element design ensures long life with minimal pressure drop
- Tie-rod construction for maximum stability
- 20 micron element standard (10 and 3 micron elements available)
- Manual drain standard; float drain or impulse drains available

## Operating Specifications

- Bowl Capacity:** 5 oz.  
**Maximum Pressure Ratings:**  
 - Aluminum Bowl: 250 PSIG  
 - Polycarbonate Bowl: 150 PSIG  
**Temperature Ratings:**  
 - Aluminum Bowl: 0-200°F  
 - Polycarbonate Bowl: 0-120°F

## Replacement Parts

- Polycarbonate Bowl Kit:** 22520  
**Aluminum Bowl Kit:** 22537  
**Aluminum Bowl Kit w/ Sight Level:** 22521-P / 22521-T  
**Elements:**  
 - 20 Micron: 22205  
 - 10 Micron: 22033  
 - 3 Micron: 23032



Manual Drain

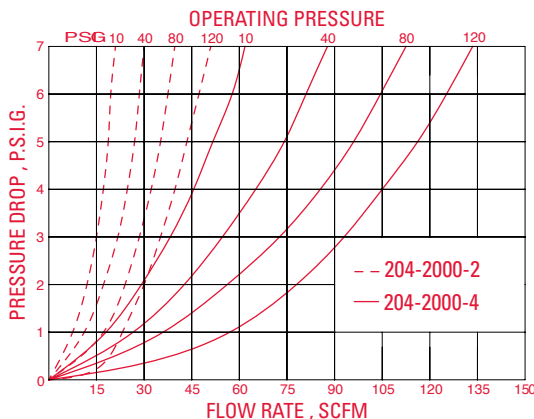


Automatic Drain

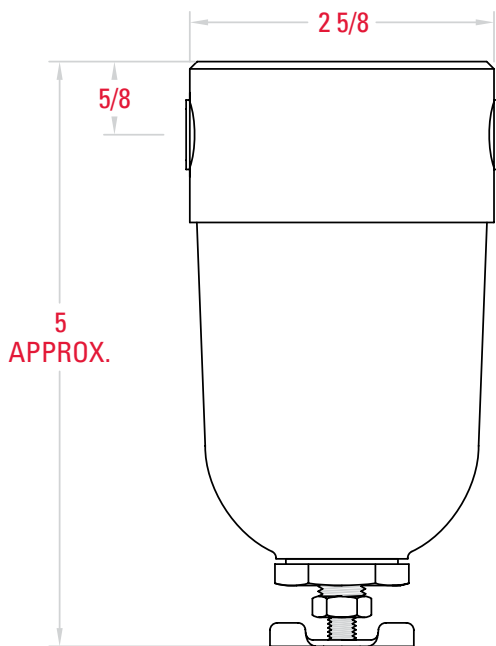
## Materials of Construction

- Head:** Machined Aluminum  
**Bowl:** Polycarbonate or Machined Aluminum  
**Whirl Disc:** Acetal  
**Stud:** Unanodized assembly: Plated Steel  
 Anodized assembly: Brass  
**Base Nut Assembly:** Machined Aluminum  
**Baffle Plate:** Acetal  
**Element:** Phenolic Impregnated Cellulose  
**Seals:** Buna-N (Fluorocarbon available)  
**Drain:**  
 - Manual: Brass and Plated Steel  
 - Float: Anodized Aluminum w/ Acetal and Stainless Steel Float mechanism  
 - Impulse: Machined Aluminum, Brass, and Buna-N (Fluorocarbon Available)  
**Bowl Guard:** Stainless Steel  
**Sight Level:** Polycarbonate (Trogamid available)

## Flow Characteristics



## Dimensions



## Ordering Information

# 204-2000-2

Bowl Type	
Polycarbonate	0
Polycarbonate w/ Bowl Guard	1
Metal	2
Metal w/ Sight Level	3

Elements	
20 Micron	0
10 Micron	1
3 Micron	2

Pipe Size	
1/4"	2
3/8"	3
1/2"	4

## OPTIONS

Anodizing	
No Anodizing	Blank
Blue	A1
Black	A2
Clear	A3
Green	A4
Red	A5
Yellow	A6
Gold	A7
Purple	A8
Drain	
Manual	Blank
Impulse	D
Float	F
Seals	
Buna-N	Blank
Fluorocarbon	V
Mounting Hole	
Two 1/4-20 mounting holes on top surface	MH
1/4 NPT mounting hole on side	MS

# PARTICULATE FILTERS: 205-1000 Standard Series



## Features

- Whirl disc creates centrifugal action for maximum water and particulate removal
- High flow with greater bowl capacity (8 oz.)
- Dense pack element design ensures long life with minimal pressure drop
- Threaded components for ease of maintenance
- 20 micron element standard (10 and 3 micron elements available)
- Manual twist drain standard; internal float or external impulse drains available

## Operating Specifications

- Bowl Capacity:** 8 oz.  
**Maximum Pressure Ratings:**  
 - Aluminum Bowl: 250 PSIG  
 - Polycarbonate Bowl: 150 PSIG  
**Temperature Ratings:**  
 - Aluminum Bowl: 0-200°F  
 - Polycarbonate Bowl: 0-120°F

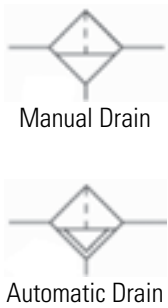
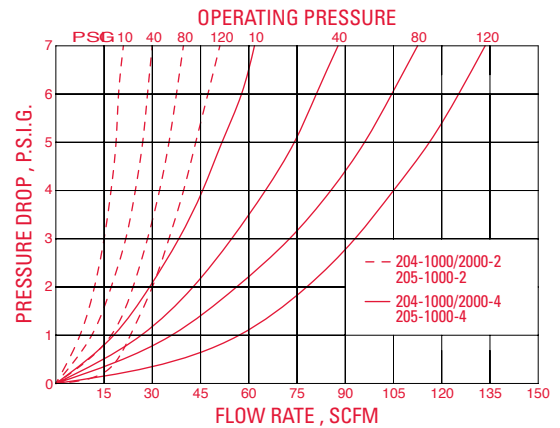
## Replacement Parts

- Polycarbonate Bowl Kit:** 21504  
**Polycarbonate Bowl Kit w/ Float Drain:** 21572  
**Metal Bowl Kit w/ Float Drain:** 21583  
**Metal Bowl Kit:** 21580  
**Metal Bowl Kit (Polycarbonate/ Trogamid):** 21581-P / 21581-T  
**Elements:**  
 - 20 Micron: 21205 - 3 Micron: 21037  
 - 10 Micron: 21036

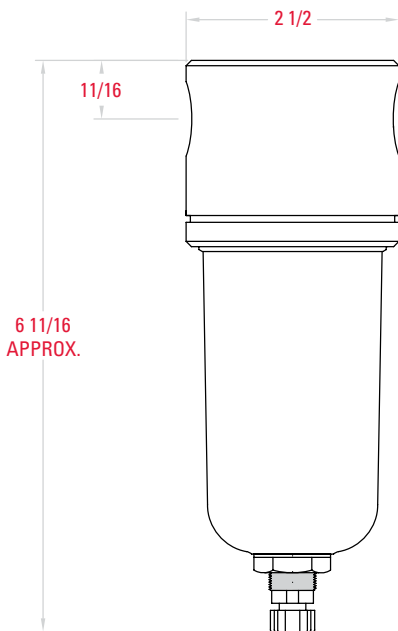
## Materials of Construction

- Head:** Machined Aluminum  
**Bowl:** Polycarbonate or Machined Aluminum  
**Whirl Disc:** Aluminum  
**Stud:** Brass  
**Element Retainer:** Machined Aluminum  
**Element:** Phenolic Impregnated Cellulose  
**Seals:** Buna-N (Fluorocarbon available)  
**Drain:**  
 - Manual: Plastic  
 - Float: Acetal and Stainless Steel  
 - Impulse: Machined Aluminum, Brass, and Buna-N (Fluorocarbon Available)  
**Bowl Guard:** Stainless Steel  
**Sight Level:** Polycarbonate (Trogamid available)

## Flow Characteristics



## Dimensions



## Ordering Information

# 205-1000-2

Bowl Type	
Polycarbonate	0
Polycarbonate w/ Bowl Guard	1
Metal	2
Metal w/ Sight Level	3

Elements	
20 Micron	0
10 Micron	1
3 Micron	2

Pipe Size	
1/4"	2
3/8"	3
1/2"	4

## OPTIONS

Anodizing	
No Anodizing	Blank
Blue	A1
Black	A2
Clear	A3
Green	A4
Red	A5
Yellow	A6
Gold	A7
Purple	A8

Drain	
Manual (Standard)	Blank
Impulse (External)	D
Float (Internal)	F

Seals	
Buna-N (Standard)	Blank
Fluorocarbon	V

Mounting Hole	
Two 1/4-20 mounting holes on top surface	MH
1/4 NPT mounting hole on side	MS



# PARTICULATE FILTERS: 204-1000 Standard Series



## Features

- Whirl disc creates centrifugal action for maximum water and particulate removal
- High flow with greater bowl capacity (8 oz.)
- Dense pack element design ensures long life with minimal pressure drop
- Tie-rod construction for maximum stability
- 20 micron element standard (10 and 3 micron elements available)
- Available with manual, float or impulse drain

## Operating Specifications

- Bowl Capacity:** 8 oz.
- Maximum Pressure Ratings:**
- Aluminum Bowl: 250 PSIG
  - Polycarbonate Bowl: 150 PSIG
- Temperature Ratings:**
- Aluminum Bowl: 0-200°F
  - Polycarbonate Bowl: 0-120°F

## Replacement Parts

- Polycarbonate Bowl Kit:** 21557
- Aluminum Bowl Kit:** 21558
- Aluminum Bowl Kit w/ Sight Level:** 22559-P / 22559-T
- Elements:**
- 20 Micron: 21205
  - 10 Micron: 21036
  - 3 Micron: 21037



Manual Drain

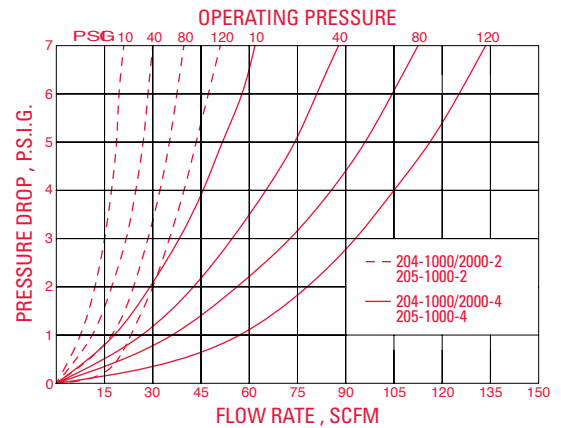


Automatic Drain

## Materials of Construction

- Head:** Machined Aluminum
- Bowl:** Polycarbonate or Machined Aluminum
- Whirl Disc:** Acetal
- Stud:** - Unanodized assembly: Plated Steel  
- Anodized assembly: Brass
- Base Nut Assembly:** Machined Aluminum
- Baffle Plate:** Acetal
- Element:** Phenolic Impregnated Cellulose
- Seals:** Buna-N (Fluorocarbon available)
- Drain:** - Manual: Plastic  
- Float: Acetal and Stainless Steel  
- Impulse: Machined Aluminum, Brass, and Buna-N (Fluorocarbon Available)
- Bowl Guard:** Stainless Steel
- Sight Level:** Polycarbonate (Trogamid available)

## Flow Characteristics



## Dimensions



## Ordering Information

# 204-1000-2

Bowl Type	
Polycarbonate	0
Polycarbonate w/ Bowl Guard	1
Metal	2
Metal w/ Sight Level	3

Elements	
20 Micron	0
10 Micron	1
3 Micron	2

Pipe Size	
1/4"	2
3/8"	3
1/2"	4

### OPTIONS

Anodizing	
No Anodizing	Blank
Blue	A1
Black	A2
Clear	A3
Green	A4
Red	A5
Yellow	A6
Gold	A7
Purple	A8
Drain	
Manual (Standard)	Blank
Impulse (External)	D
Float (External)	F
Seals	
Buna-N	Blank
Fluorocarbon	V
Mounting Hole	
Two 1/4-20 mounting holes on top surface	MH
1/4 NPT mounting hole on side	MS

# PARTICULATE FILTERS: 201-5000 Series



## Features

- Excellent water removal characteristics
- Heavy duty machined aluminum for rugged applications
- Dense pack element design ensures long life with maximum particulate removal
- Now available with internal float drain or external impulse drain
- High flow with large bowl capacity (21 oz.)
- 20 micron elements standard (100, 10 and 3 available as well)

## Operating Specifications

**Bowl Capacity:** 21 oz.

**Maximum Pressure Ratings:**

- Aluminum Bowl: 250 PSIG
- Polycarbonate Bowl: 150 PSIG

**Temperature Ratings:**

- Aluminum Bowl: 0-200°F
- Polycarbonate Bowl: 0-120°F

## Replacement Parts

**Polycarbonate Bowl Kit:** 25557

**Aluminum Bowl Kit:** 25558

**Metal Bowl w/ Sight Levels Kit (Polycarbonate/ Trogamid):** 25559-P / 25559-T

**Elements:**

- 100 Micron: 25086
- 20 Micron: 25039
- 10 Micron: 25029
- 3 Micron: 25028

## Materials of Construction

**Head:** Machined Aluminum

**Bowl:** Polycarbonate or Machined Aluminum

**Base (Polycarbonate Bowl only):** Aluminum

**Whirl Disc:** Acetal

**Stud:** Plated Steel

**Adaptor, Spacer, Base Nut &**

**Baffle Plate:** Aluminum

**Element:** Phenolic Impregnated Cellulose

**Seals:** Buna-N (Fluorocarbon available)

**Drain:** - Manual: Brass and Plated Steel

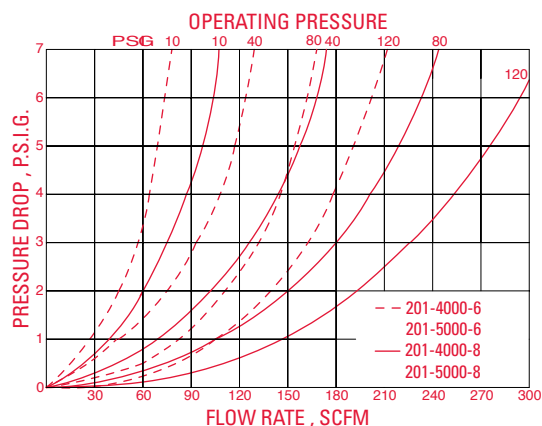
- Float: Acetal and Stainless Steel

- Impulse: Machined Aluminum, Brass, and Buna-N (Fluorocarbon Available)

**Bowl Guard:** Stainless Steel

**Sight Level:** Polycarbonate (Trogamid available)

## Flow Characteristics

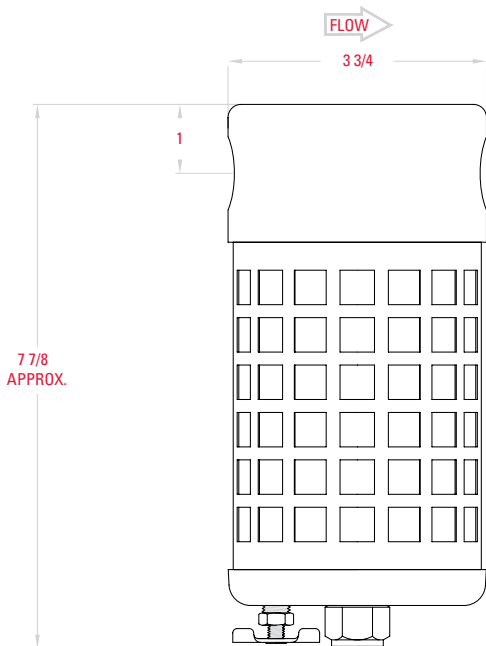


Manual Drain



Automatic Drain

## Dimensions



## Ordering Information

# 201-5000-6

Bowl Type	
Polycarbonate	0
Polycarbonate w/ Bowl Guard	1
Metal	2
Metal w/ Sight Level	3

Elements	
20 Micron	0
10 Micron	1
3 Micron	2
100 Micron	3

Pipe Size	
3/4"	6
1"	8

## OPTIONS

Anodizing	
No Anodizing	Blank
Blue	A1
Black	A2
Clear	A3
Green	A4
Red	A5
Yellow	A6
Gold	A7
Purple	A8

Drain	
Manual (Standard)	Blank
Float (Internal)	F
Impulse (External)	D

Mounting Hole	
Two 1/4-20 mounting holes on top surface	MH
1/4 NPT mounting hole on side	MS

# PARTICULATE FILTERS: 201-4000 Series



Manual Drain



Automatic Drain

## Features

- Excellent water removal characteristics
- High flow with large bowl capacity
- Heavy duty machined aluminum for rugged applications
- Dense pack element design ensures long life with minimal pressure drop
- Now available with internal float drain or external impulse drain
- 20 micron elements standard (100 and 3 micron elements available as well)

## Operating Specifications

- Bowl Capacity:** 32 oz.  
**Maximum Pressure Ratings:**  
 - Aluminum Bowl: 250 PSIG  
 - Polycarbonate Bowl: 150 PSIG  
**Temperature Ratings:**  
 - Aluminum Bowl: 0-200°F  
 - Polycarbonate Bowl: 0-120°F

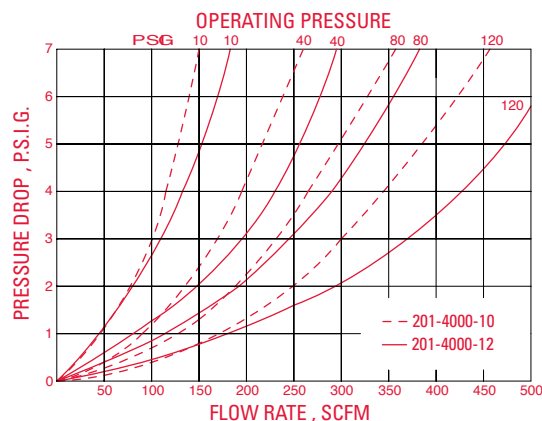
## Replacement Parts

- Polycarbonate Bowl Kit:** 24557  
**Aluminum Bowl Kit:** 24558  
**Metal Bowl w/ Sight Levels Kit (Polycarbonate/Trogamid):** 24559-P / 24559-T  
**Elements:**  
 - 100 Micron: 24087  
 - 20 Micron: 24015  
 - 3 Micron: 24013

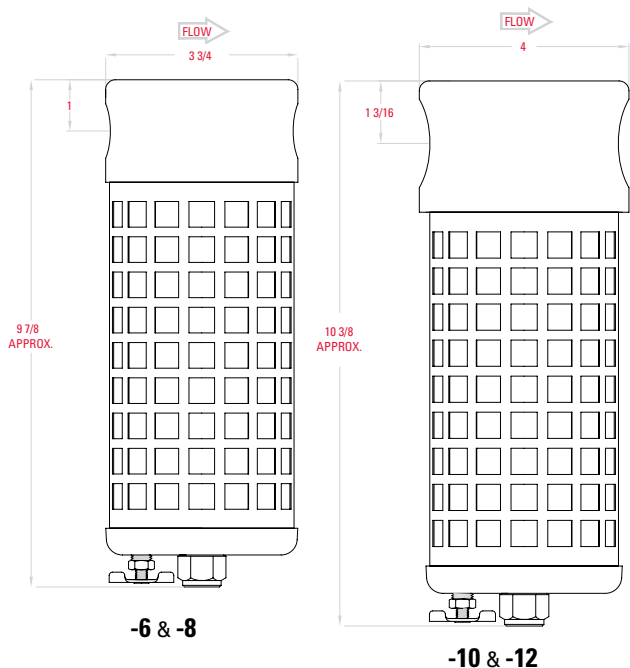
## Materials of Construction

- Head:** Machined Aluminum  
**Bowl:** Polycarbonate or Machined Aluminum  
**Base (Polycarbonate Bowl only):** Aluminum  
**Whirl Disc:** Acetal  
**Stud:** Plated Steel  
**Adaptor, Spacer, Base Nut & Baffle Plate:** Aluminum  
**Element:** Phenolic Impregnated Cellulose  
**Seals:** Buna-N (Fluorocarbon available)  
**Drain:** - Manual: Brass and Plated Steel  
 - Float: Acetal and Stainless Steel  
 - Impulse: Machined Aluminum, Brass, and Buna-N (Fluorocarbon Available)  
**Bowl Guard:** Stainless Steel  
**Sight Level:** Polycarbonate (Trogamid available)

## Flow Characteristics



## Dimensions



## Ordering Information

# 201-4000-8

Bowl Type	
Polycarbonate	0
Polycarbonate w/ Bowl Guard	1
Metal	2
Metal w/ Sight Level	3

Elements	
20 Micron	0
3 Micron	2
100 Micron	3

Pipe Size	
3/4"	6
1"	8
1 1/4"	10
1 1/2"	12

### OPTIONS

Anodizing	
No Anodizing	Blank
Blue	A1
Black	A2
Clear	A3
Green	A4
Red	A5
Yellow	A6
Gold	A7
Purple	A8

Drain	
Manual (Standard)	Blank
Impulse (External)	D
Float (Internal)	F

Mounting Hole	
Two 1/4-20 mounting holes on top surface	MH
1/4 NPT mounting hole on side	MS

# PARTICULATE FILTERS: 201-7202/8202 High Flow Series



## Features

- 3.0 Micron element
- High flow with minimal pressure drop
- 1.0 PSI  $\Delta$ P at rated flow
- Available with manual or float drain

## Operating Specifications

**Port Sizes:** 1-1/4", 1-1/2", 2"  
**Thread Styles:** NPT, BSPT, BSPP  
**Flow Capacity:** 400 & 700 SCFM @ 100 PSI  
**Bowl Types:** Aluminum  
**Maximum Temperature:** 175°F  
**Maximum Pressure:** 200 PSIG  
**Filter Capacity:** 3.0 Micron  
**Differential Pressure:** < 1.0 PSI  $\Delta$ P at Rated Flow

## Materials of Construction

**Housing:** Aluminum  
**Stud:** Stainless Steel  
**Pressure Drop Indicator:** Nylon  
**Seals:** Buna-N (Fluorocarbon available)  
**Element:** Aluminum and Stainless Steel  
**Assembly Screws:** Black Oxide Plated Steel  
**Drain (20-404):** Anodized Aluminum, Acetal, and Stainless Steel



Manual Drain



Automatic Drain

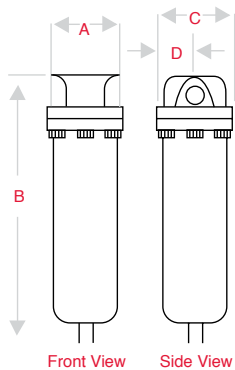
## Replacement Parts

**Bowl O-Ring (400/700):** 27001  
**Float Drain:** 20-404  
**Differential Indicator (400/700):** 27002  
**Manual Drain:** 27003

## Replacement Elements

**7202:** 27000  
**8202:** 28000

## Dimensions



**Metal Bowl, Manual Drain**  
**A: 7.8 B: 27.5 C: 7.8 D: 3.9**

**Metal Bowl, Float Drain**  
**A: 7.8 B: 32.0 C: 7.8 D: 3.9**

**Metal Bowl, Float Drain w/ Indicator**  
**A: 7.8 B: 33.0 C: 7.8 D: 3.9**

## Ordering Information

# 201-7202-10F

### OPTIONS

Drain	
Manual (Standard)	Blank
Float	F

### Flow

400 scfm	7
700 scfm	8

### Pressure Drop Indicator

No PDI	0
Pressure Drop Indicator	8

### Pipe Size

1 1/4"	10
1 1/2"	12
2"	16

# PARTICULATE FILTERS: 201-9202 Mainline Series



## Features

- 3.0 Micron element
- High flow with minimal pressure drop
- 1.0 PSI  $\Delta P$  at 1200 scfm
- Manual drain standard; float drain available

## Operating Specifications

**Port Sizes:** 3"  
**Thread Styles:** NPT, BSPT, BSPP  
**Flow Capacity:** 1200 SCFM @ 100 PSI  
**Bowl Types:** Aluminum  
**Maximum Temperature:** 175°F  
**Maximum Pressure:** 200 PSIG  
**Filter Capacity:** 3.0 Micron  
**Differential Pressure:** < 1.0 PSI  $\Delta P$  at Rated Flow

## Materials of Construction

**Housing:** Aluminum  
**Stud:** Stainless Steel  
**Pressure Drop Indicator:** Nylon  
**Seals:** Buna-N (Fluorocarbon available)  
**Element:** Aluminum and Stainless Steel  
**Assembly Screws:** Black Oxide Plated Steel  
**Drain (20-404):** Anodized Aluminum, Acetal, and Stainless Steel



Manual Drain

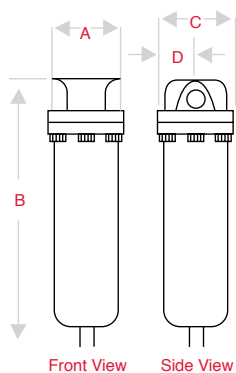


Automatic Drain

## Replacement Parts

**Bowl O-Ring (1200):** 29001  
**Float Drain:** 20-404  
**Replacement Element:** 29001  
**Manual Drain:** 29002

## Dimensions



**Metal Bowl, Manual Drain**  
**A: 8.0 B: 39.5 C: 8.0 D: 4.0**

**Metal Bowl, Float Drain**  
**A: 8.0 B: 45.0 C: 8.0 D: 4.0**

## Ordering Information

# 201-9202-24F

### OPTIONS

#### Drain

Manual (Standard) Float	Blank F
----------------------------	------------

#### Pressure Drop Indicator

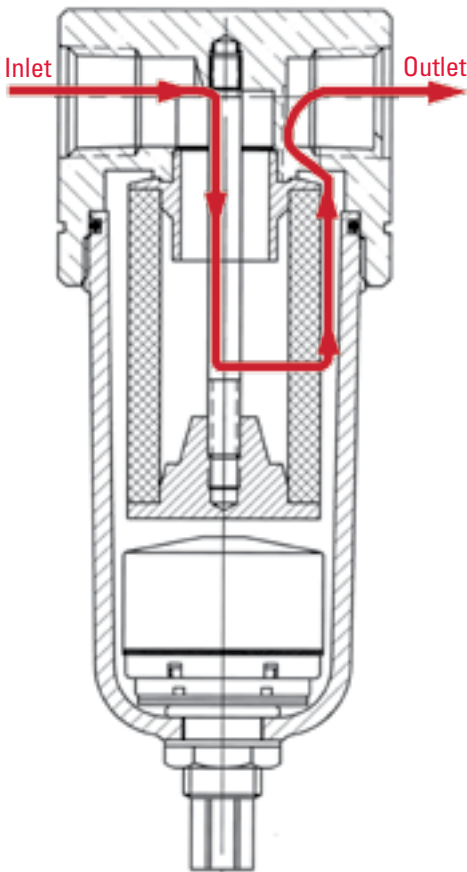
No PDI	0
Pressure Drop Indicator	8

#### Pipe Size

3"	24
----	----



# Coalescing Filters



Coalescing filters remove oil, water and fine particulate from compressed air. Contrary to particulate filters, air flows from the inside to the outside of the coalescing element. Along the way, very fine passageways capture liquid droplets and particulate. Gravity pulls the liquid to the bottom of the element where it drips into the sump area for drainage. The particulate matter is embedded into the element material. The Monnier line of coalescing filters are available with two element options — the 0.3 micron elements that are 99.97% efficient in capturing all oil, dirt, and water from the air; and the 0.01 micron elements that are 99.995% efficient.

For the cleanest air possible and least maintenance cost, we recommend a 3 micron element filter be installed directly upstream of all coalescing filters.

## Standard Components

### Maximum Pressure Ratings:

- Polycarbonate Bowl: 150 PSI
- Metal Bowls: 250 PSI

### Temperature Ratings:

- Polycarbonate Bowl: 0-120°F
- Metal Bowl: 0-200°F

**Elements:** 0.3 and 0.01 Micron elements are available depending on the product family

## Optional Components

**Drains:** Manual drains are standard in all coalescing filters. Impulse Drains (“D”) or Float Drains (“F”) are available, depending on product family.

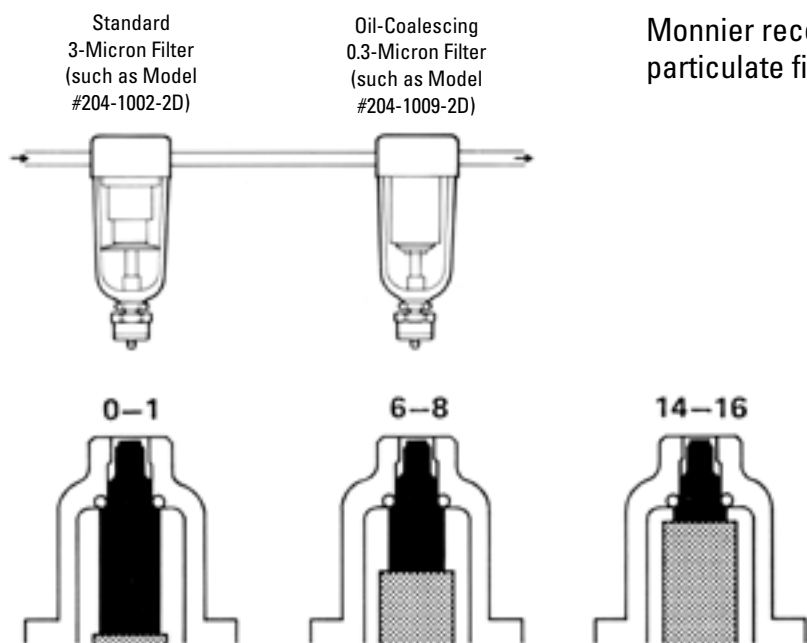
**Anodizing:** All aluminum heads and bases have standard green anodizing. Metal bowls can be anodized at an additional cost. Drains are clear anodized as standard, but can be ordered in any of our other colors.

**Bowl Options:** Polycarbonate bowls, aluminum bowls, sight levels, and bowl guards are available depending on the product family.



# TABLE OF CONTENTS

<b>3009 Miniature Series</b>	14	<b>4009 Heavy Duty Series</b>	18
<b>2009 Compact Series</b>	15	<b>6209 Heavy Duty Series</b>	19
<b>1009 Standard Series</b>	16, 17	<b>7208/8208 Series</b>	20
		<b>9208 Series</b>	21



Monnier recommends the use of a 3 micron particulate filter upstream of all coalescing filters.

A pressure drop indicator is optional with each coalescing filter. The pressure drop indicator is highly visible and designed so that the relative amount of pressure drop is easily determined from the height of the yellow column.

## Caution

Bowl guards are recommended on all polycarbonate bowl filters! All bowl guards are made of heavy-duty stainless steel.

## Warning

Polycarbonate bowls can be damaged and may fail if they are exposed to or come in contact with solvents, strong alkalies, fire resistant and/or synthetic compressor lubricants.

**WARRANTY:** Monnier, Inc. warrants each product against defects in material and workmanship for a period of one year from the date of manufacture providing its use was in accordance with Monnier, Inc. recommendations. If the product fails to perform as warranted, Monnier, Inc. will, at its option, repair or replace the product free of charge. The company will not be liable for incidental or consequential damages. We make no other warranty, expressed or implied, including warranties of merchantability or fitness for a particular purpose.

# COALESCING FILTERS: 204-3009 Miniature Series



## Features

- Removes liquid and sub-micron solids
- 0.3 Micron element removes 99.97% of all liquid and dirt from air
- 0.01 Micron element removes 99.995% of all liquid and dirt from air
- Available with manual or impulse drain
- Threaded components for ease of maintenance
- Green anodized housing (other colors available)

## Operating Specifications

- Bowl Capacity:** 1 oz.
- Maximum Pressure Ratings:**
- Aluminum Bowl: 250 PSIG
  - Polycarbonate Bowl: 150 PSIG
- Temperature Ratings:**
- Aluminum Bowl: 0-200°F
  - Polycarbonate Bowl: 0-120°F

## Accessories & Kits

- Polycarbonate Bowl Kit w/ Standard Drain:** 23520
- Aluminum Bowl Kit w/ Manual Drain:** 23533
- Polycarbonate Bowl Kit w/ Impulse Drain:** 23521
- Aluminum Bowl Kit w/ Impulse Drain:** 23534
- Elements:**
- 0.3 Micron:** 23543
  - 0.01 Micron:** 23592



Manual Drain

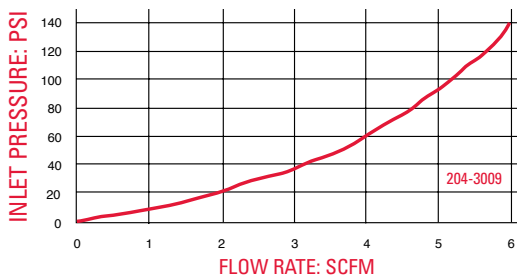


Automatic Drain

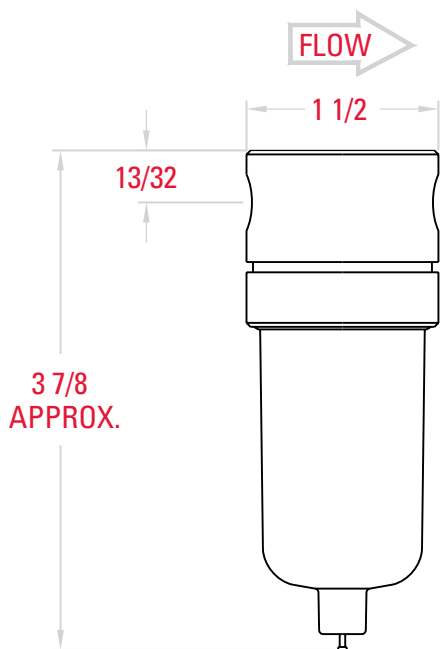
## Materials of Construction

- Head:** Anodized Machined Aluminum
- Bowl:** Polycarbonate or Machined Aluminum
- Element Shield:** Polycarbonate
- Element Retainer:** Celonese  
(Polypropylene available)
- Element:** Borosilicate Glass Fiber
- Seals:** Buna-N (Fluorocarbon available)
- Drain:**
- Manual: Nickel Plated Brass
  - Impulse: Machined Aluminum and Brass
- Bowl Guard:** Stainless Steel

## Flow Characteristics



## Dimensions



## Ordering Information

# 204-3009-2

Bowl Type	
Polycarbonate	0
Polycarbonate w/ Bowl Guard	1
Metal	2

Elements	
0.3 micron	9
0.01 micron	8

Pipe Size	
1/8"	1
1/4"	2

### OPTIONS

Anodizing	
Green (Standard)	Blank
Blue	A1
Black	A2
Clear	A3
Red	A5
Yellow	A6
Gold	A7
Purple	A8

Drain	
Impulse	D

Seals	
Buna-N (Standard)	Blank
Fluorocarbon (Viton)	V

Mounting Hole	
Two 1/4-20 mounting holes on top surface	MH
1/4 NPT mounting hole on side	MS

# COALESCING FILTERS: 204-2009 Compact Series



## Features

- Removes liquid and sub-micron solids
- 0.3 Micron element removes 99.97% of all moisture and dirt from air
- Available with manual, float or impulse drain
- Pressure drop indicator available to show when element needs to be changed
- Tie-Rod construction for maximum stability
- Green anodized housing (other colors available)

## Operating Specifications

- Bowl Capacity:** 5 oz.
- Maximum Pressure Ratings:**
- Aluminum Bowl: 250 PSIG
  - Polycarbonate Bowl: 150 PSIG
- Temperature Ratings:**
- Aluminum Bowl: 0-200°F
  - Polycarbonate Bowl: 0-120°F

## Materials of Construction

- Head:** Anodized Machined Aluminum
- Bowl:** Polycarbonate or Machined Aluminum
- Element Retainer:** Machined Aluminum
- Element:** Borosilicate Glass Fiber with Urethane Endcaps
- Seals:** Buna-N (Fluorocarbon available)
- Drain:**
- Manual: Brass and Plated Steel
  - Float: Anodized Aluminum housing w/ Acetal and Stainless Steel Float Mechanism
  - Impulse: Machined Aluminum, Brass, Buna-N (Fluorocarbon available)
- Bowl Guard:** Stainless Steel
- Sight Level:** Polycarbonate (trogamid available)
- Pressure Drop Indicator:** Polyethylene, Phosphate Coated Steel Retaining Ring, Polycarbonate Dome (Trogamid Available)
- Stud:** Brass



Manual Drain

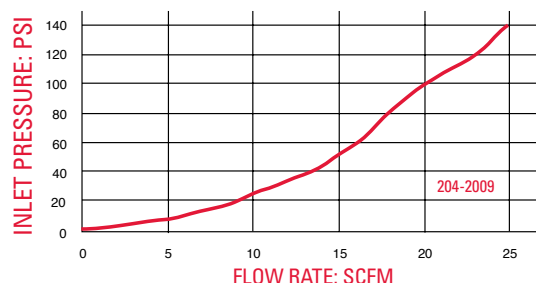


Automatic Drain

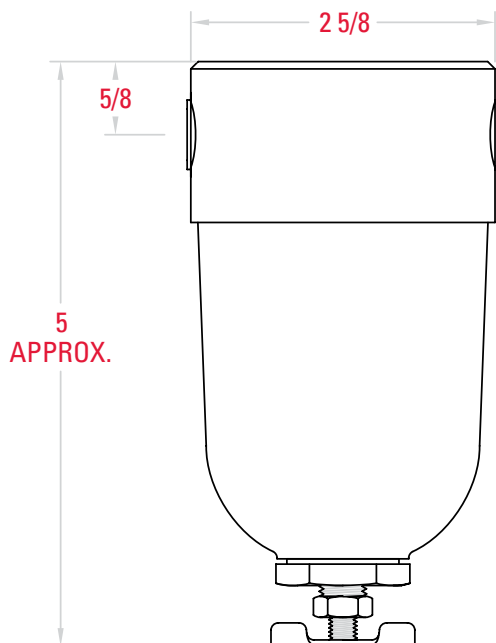
## Accessories & Kits

- Polycarbonate Bowl Kit:** 22520
- Aluminum Bowl Kit:** 22537
- Aluminum Bowl Kit w/ Sight Level (Polycarbonate/Trogamid):** 21559-P / 21559-T
- Elements: 0.3 Micron:** 21545
- Pressure Drop Indicator Assembly:** 21542
- Pressure Drop Indicator Seal Kit:** 21543

## Flow Characteristics



## Dimensions



## Ordering Information

204-2009-2

Bowl Type	
Polycarbonate	0
Polycarbonate w/ Bowl Guard	1
Metal	2
Metal w/ Sight Level	3

Pipe Size	
1/4"	2
3/8"	3
1/2"	4

OPTIONS	
<b>Anodizing</b>	
Green (Standard)	Blank
Blue	A1
Black	A2
Clear	A3
Red	A5
Yellow	A6
Gold	A7
Purple	A8
<b>Drain</b>	
Impulse	D
Float	F
<b>Seals</b>	
Buna-N (Standard)	Blank
Fluorocarbon (Viton)	V
<b>Mounting Hole</b>	
Two 1/4-20 mounting holes on top surface	MH
1/4 NPT mounting hole on side	MS
<b>Sight Levels</b>	
Trogamid	T

# COALESCING FILTERS: 205-1009 Standard Series



## Features

- Removes liquid and sub-micron solids
- 0.3 Micron element removes 99.97% of dirt and oil from air
- 0.01 Micron element removes 99.995% of dirt and oil from air
- Available with manual, internal float, or external impulse drain
- Pressure drop indicators available to show when element needs to be changed
- Threaded bowl for ease of maintenance
- Standard green anodized filter housing (other colors available)

## Operating Specifications

- Bowl Capacity:** 8 oz.  
**Maximum Pressure Ratings:**  
 - Aluminum Bowl: 250 PSIG  
 - Polycarbonate Bowl: 150 PSIG  
**Temperature Ratings:**  
 - Aluminum Bowl: 0-200°F  
 - Polycarbonate Bowl: 0-120°F

## Materials of Construction

- Head:** Anodized Machined Aluminum  
**Bowl:** Polycarbonate or Anodized Machined Aluminum  
**Stud:** Brass  
**Element:** Borosilicate Glass Fiber  
**Element Retainer:** Anodized Aluminum  
**Seals:** Buna-N (Fluorocarbon available)  
**Drain:**  
 - Manual: Plastic  
 - Float: Acetal and Stainless Steel  
 - Impulse: Machined Aluminum, Brass, Buna-N (Fluorocarbon available)  
**Bowl Guard:** Stainless Steel  
**Sight Level:** Polycarbonate (Trogamid available)  
**Pressure Drop Indicator:** Polyethylene, Phosphate Coated Steel Retaining Ring, Polycarbonate Dome (Trogamid Available)



Manual Drain

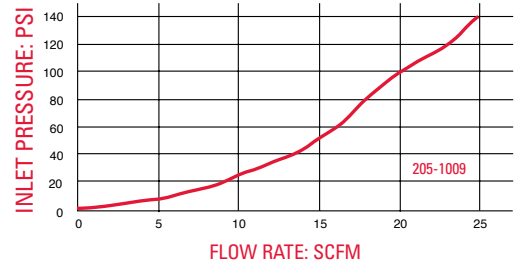


Automatic Drain

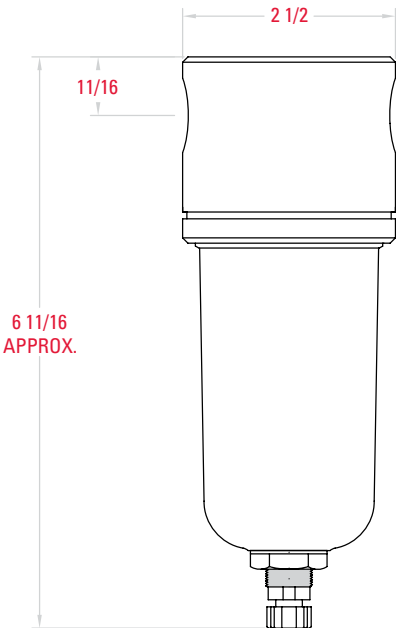
## Accessories & Kits

- Polycarbonate Bowl Kit:** 21504  
**Polycarbonate Bowl Kit w/ Float Drain:** 21572  
**Metal Bowl Kit w/ Float Drain:** 21583  
**Metal Bowl Kit:** 21580  
**Metal Bowl Kit (Polycarbonate/ Trogamid):** 21581-P / 21581-T  
**Pressure Drop Indicator Assembly:** 21542  
**Elements:** 0.3 Micron: 21720 0.01 Micron: 21762

## Flow Characteristics



## Dimensions



## Ordering Information

# 205-1009-4

Bowl Type	
Polycarbonate	0
Polycarbonate w/ Bowl Guard	1
Metal	2
Metal w/ Sight Level	3

Pressure Drop Indicator	
Without PDI	0
With PDI	8

Elements	
0.3 micron	9
0.01 micron	8

Pipe Size	
1/4"	2
3/8"	3
1/2"	4

### OPTIONS

Anodizing	
Green (Standard)	Blank
Blue	A1
Black	A2
Clear	A3
Red	A5
Yellow	A6
Gold	A7
Purple	A8
Drain	
Manual	Blank
Impulse	D
Float	F
Seals	
Buna-N (Standard)	Blank
Fluorocarbon (Viton)	V
Mounting Hole	
Two 1/4-20 mounting holes on top surface	MH
1/4 NPT mounting hole on side	MS
Sight Levels	
Trogamid	T

# COALESCING FILTERS: 204-1009 Standard Series



Manual Drain



Automatic Drain

## Features

- Removes liquid and sub-micron solids
- 0.3 Micron element removes 99.97% of dirt and oil from air
- 0.01 Micron element removes 99.995% of dirt and oil from air
- Available with manual, float or impulse drain
- Pressure drop indicator available to show when element needs to be changed
- Tie-Rod construction for maximum stability
- Standard green anodized filter housing (other colors available)

## Operating Specifications

**Bowl Capacity:** 8 oz.

**Maximum Pressure Ratings:**

- Aluminum Bowl: 250 PSIG
- Polycarbonate Bowl: 150 PSIG

**Temperature Ratings:**

- Aluminum Bowl: 0-200°F
- Polycarbonate Bowl: 0-120°F

## Accessories & Kits

**Polycarbonate Bowl Kit:** 21557

**Aluminum Bowl:** 21558

**Aluminum Bowl Kit w/ Sight Level**

**(Polycarbonate/Trogamid):** 21559-P / 21559-T

**Pressure Drop Indicator Assembly:** 21542

**Elements:**

**0.3 Micron:** 21545

**0.01 Micron:** 21751

## Materials of Construction

**Head:** Anodized Machined Aluminum

**Bowl:** Polycarbonate or Anodized Machined Aluminum

**Stud:** Brass

**Element:** Borosilicate Glass Fiber with Urethane Endcaps

**Element Retainer:** Anodized Aluminum

**Retainer Nut:** Nylon

**Seals:** Buna-N (Fluorocarbon available)

**Base Nut Assembly:** Anodized Machined Aluminum

**Drain:**

- Manual: Brass

- Float: Anodized Aluminum housing w/ Acetal and Stainless Steel Float Mechanism

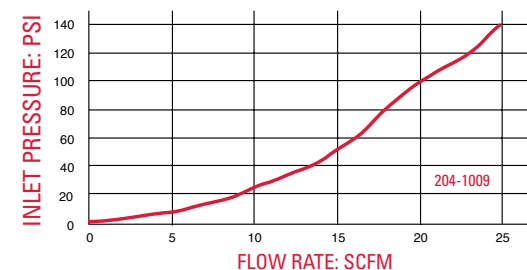
- Impulse: Machined Aluminum, Brass, Buna-N (Fluorocarbon available)

**Bowl Guard:** Stainless Steel

**Sight Level:** Polycarbonate (Trogamid available)

**Pressure Drop Indicator:** Polyethylene, Phosphate Coated Steel Retaining Ring, Polycarbonate Dome (Trogamid Available)

## Flow Characteristics



## Dimensions



## Ordering Information

# 204-1009-4

Bowl Type	
Polycarbonate	0
Polycarbonate w/ Bowl Guard	1
Metal	2
Metal w/ Sight Level	3

Pressure Drop Indicator	
Without PDI	0
With PDI	8

Elements	
0.3 micron	9
0.01 micron	8

Pipe Size	
1/4"	2
3/8"	3
1/2"	4

### OPTIONS

Anodizing	
Green (Standard)	Blank
Blue	A1
Black	A2
Clear	A3
Red	A5
Yellow	A6
Gold	A7
Purple	A8
Drain	
Manual	Blank
Impulse	D
Float	F
Seals	
Buna-N (Standard)	Blank
Fluorocarbon (Viton)	V
Mounting Hole	
Two 1/4-20 mounting holes on top surface	MH
1/4 NPT mounting hole on side	MS
Sight Levels	
Trogamid	T

# COALESCING FILTERS: 204-4009 Heavy Duty Series

## Features

- Removes liquid and sub-micron solids
- 0.3 Micron element removes 99.97% of all moisture and dirt from air
- 0.01 Micron element removes 99.995% of moisture oil and dirt from air
- Available with manual, float or impulse drain
- Pressure Drop Indicator available to show when element needs to be changed
- Tie-Rod construction
- Green anodized filter housing standard (other colors available)

## Operating Specifications

- Bowl Capacity:** 32 oz.
- Maximum Pressure Ratings:**
- Aluminum Bowl: 250 PSIG
  - Polycarbonate Bowl: 150 PSIG
- Temperature Ratings:**
- Aluminum Bowl: 0-200°F
  - Polycarbonate Bowl: 0-120°F

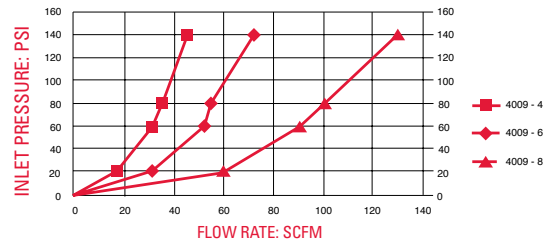
## Accessories & Kits

	1/2" (4)	3/4" & 1" (6, 8)
<b>Polycarbonate Bowl Kit:</b>	24557	24422
<b>Aluminum Bowl Kit:</b>	24558	24421
<b>Aluminum Bowl Kit w/ Polycarbonate Sight Level:</b>	24559-P	24423-P
<b>Aluminum Bowl Kit w/ Trogamid Sight Level:</b>	24559-T	24423-T
<b>Pressure Drop Indicator Assembly:</b> 21542		
<b>Elements:</b> 0.3 Micron: 24547 0.01 Micron: 24751		

## Materials of Construction

- Head:** Anodized Machined Aluminum
- Bowl:** Polycarbonate or Anodized Machined Aluminum
- Base (Polycarbonate Bowl Only):** Anodized Aluminum
- Stack:** Anodized Aluminum **Stud:** Brass
- Element:** Borosilicate Glass Fiber with Urethane End-caps
- Element Retainer:** Anodized Machined Aluminum
- Element Retainer Nut:** Nylon
- Base Nut:** Anodized Machined Aluminum
- Seals:** Buna-N (Fluorocarbon available)
- Drain:** - Manual: Brass and Plated Steel  
- Float: Anodized Aluminum housing w/ Acetal and Stainless Steel Float Mechanism  
- Impulse: Machined Aluminum, Brass, and Buna-N (Fluorocarbon Available)
- Bowl Guard:** Stainless Steel
- Sight Level:** Polycarbonate (Trogamid available)
- Pressure Drop Indicator:** Polyethylene, Phosphate Coated Steel Retaining Ring, Polycarbonate Dome (Trogamid Available)

## Flow Characteristics

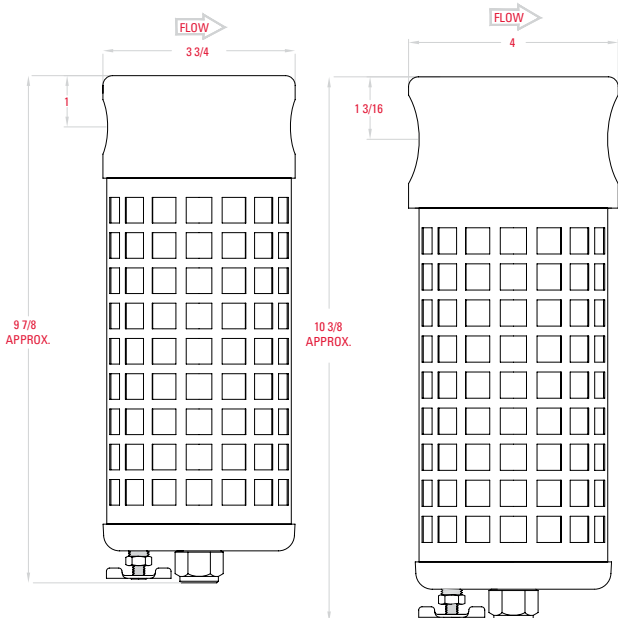


Manual Drain



Automatic Drain

## Dimensions



## Ordering Information

# 204-4009-6

Bowl Type	
Polycarbonate	0
Polycarbonate w/ Bowl Guard	1
Metal	2
Metal w/ Sight Level	3

Pressure Drop Indicator	
Without PDI	0
With PDI	8

Elements	
0.3 micron	9
0.01 micron	8

Pipe Size	
1/2"	4
3/4"	6
1"	8

## OPTIONS

Anodizing	
Green (Standard)	Blank
Blue	A1
Black	A2
Clear	A3
Red	A5
Yellow	A6
Gold	A7
Purple	A8

Drain	
Impulse (External)	D
Float (Internal)	F

Seals	
Buna-N (Standard)	Blank
Fluorocarbon (Viton)	V

Mounting Hole	
Two 1/4-20 mounting holes on top surface	MH
1/4 NPT mounting hole on side	MS

Sight Levels	
Trogamid	T



# COALESCING FILTERS: 204-6209 Heavy Duty Series



## Features

- Removes liquid and sub-micron solids
- 0.3 Micron element removes 99.97% of all oil and dirt from air
- 0.01 Micron element removes 99.995% of all oil and dirt from air
- Available with manual, float or impulse drain
- Pressure drop indicator available to show when element needs to be changed
- High flow with 64 oz. bowl capacity
- Standard green anodized filter housing (other colors available)

## Operating Specifications

- Bowl Capacity:** 64 oz.
- Maximum Pressure Ratings:**
- Aluminum Bowl: 250 PSIG
  - Polycarbonate Bowl: 150 PSIG
- Temperature Ratings:**
- Aluminum Bowl: 0-200°F
  - Polycarbonate Bowl: 0-120°F

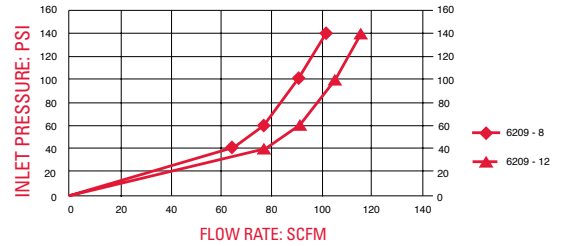
## Materials of Construction

- Head, Bowl, Base & Stack:** Anodized Machined Aluminum
- Stud:** Brass
- Element:** Borosilicate Glass Fiber with Urethane Endcaps
- Element Retainer:** Anodized Machined Aluminum
- Element Retainer Nut:** Nylon
- Base Nut:** Anodized Machined Aluminum
- Seals:** Buna-N (Fluorocarbon available)
- Drain:**
- Manual: Brass and Plated Steel
  - Float: Acetal and Stainless Steel
  - Impulse: Machined Aluminum, Brass, and Buna-N (Fluorocarbon available)
- Sight Level:** Polycarbonate (trogamid available)
- Pressure Drop Indicator:** Polyethylene, Phosphate Coated Steel Retaining Ring, Polycarbonate Dome (Trogamid Available)

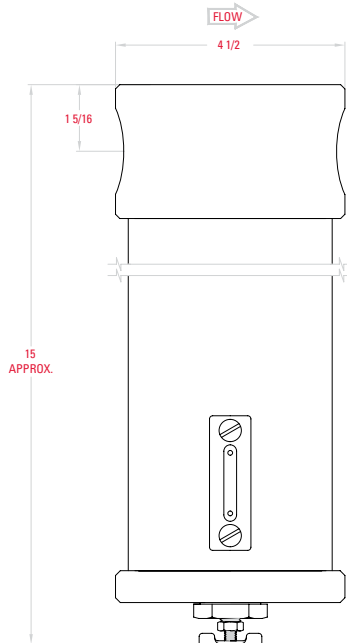
## Accessories & Kits

- Seal Kit:** 26565
- Sight Levels:** 21538 (P) 21537 (T)
- Pressure Drop Indicator Assembly:** 21542
- Pressure Drop Indicator Seal Kit:** 21543
- Elements: 0.3 Micron:** 26550 **0.01 Micron:** 26751
- Metal Bowl Kit:** 26558
- Metal Bowl Kit w/ Sight Levels:** 26559-P / 26559-T

## Flow Characteristics



## Dimensions



## Ordering Information

# 204-6209-8

Bowl Type	
Metal	2
Metal w/ Sight Level	3

Pressure Drop Indicator	
Without PDI	0
With PDI	8

Elements	
0.3 micron	9
0.01 micron	8

Pipe Size	
1"	8
1 1/4"	10
1 1/2"	12

### OPTIONS

Anodizing	
Green (Standard)	Blank
Blue	A1
Black	A2
Clear	A3
Red	A5
Yellow	A6
Gold	A7
Purple	A8

Drain	
Impulse (External)	D
Float (Internal)	F

Seals	
Buna-N (Standard)	Blank
Fluorocarbon (Viton)	V

Mounting Hole	
Two 1/4-20 mounting holes on top surface	MH
1/4 NPT mounting hole on side	MS

Sight Levels	
Trogamid	T

# COALESCING FILTERS: 201-7208/8208 Series



## Features

- High flow with minimal pressure drop
- 1.5PSI  $\Delta$ P at rated flow
- Available with manual or float drain

## Operating Specifications

**Port Sizes:** 1-1/4", 1-1/2", 2"  
**Thread Styles:** NPT, BSPT, BSPP  
**Flow Capacity:** 400 & 700 SCFM @ 100 PSI  
**Maximum Temperature:** 175° F  
**Maximum Pressure:** 200 PSIG  
**Filter Capacity:** 0.01 Micron  
**Differential Pressure:** <1.5 PSI  $\Delta$ P at Rated Flow

## Materials of Construction

**Housing:** Aluminum  
**Stud:** Stainless Steel  
**Indicator:** Nylon  
**Seals:** Buna-N  
**Elements:** Aluminum and Stainless Steel  
**Assembly Screws:** Black Oxide Plated Steel  
**Drain (20-404):** Anodized Aluminum, Acetal, and Stainless Steel

## Accessories & Kits

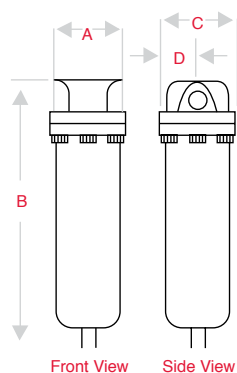
**Bowl O-Ring (400/700):** 27001  
**Float Drain:** 20-404  
**Differential Indicator (400/700):** 27002  
**Manual Drain:** 27003

## Replacement Elements:

**7208:** 27004  
**8208:** 28001



## Dimensions



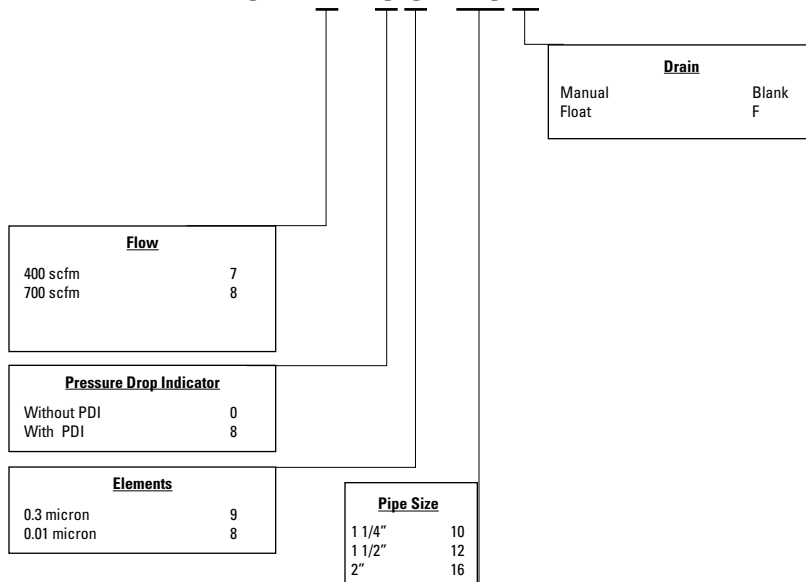
**Metal Bowl, Manual Drain**  
**A: 7.8 B: 27.5 C: 7.8 D: 3.9**

**Metal Bowl, Float Drain**  
**A: 7.8 B: 32.0 C: 7.8 D: 3.9**

**Metal Bowl, Float Drain w/ Indicator**  
**A: 7.8 B: 33.0 C: 7.8 D: 3.9**

## Ordering Information

# 201-7208-10F



# COALESCING FILTERS: 201-9208 Series



## Features

- High flow with minimal pressure drop
- 1.5PSI  $\Delta$ P at 1200 scfm
- Available with manual or float drain

## Operating Specifications

**Port Sizes:** 3"  
**Thread Styles:** NPT, BSPT, BSPP  
**Flow Capacity:** 1200 SCFM @ 100 PSI  
**Maximum Temperature:** 175° F  
**Maximum Pressure:** 200 PSIG  
**Filter Capacity:** 0.01 Micron  
**Differential Pressure:** 1.5 PSI  $\Delta$ P at Rated Flow

## Accessories & Kits

**Bowl O-Ring (1200):** 24001  
**Float Drain:** 20-404  
**Manual Drain:** 29002  
**Replacement Element:** 29000

## Materials of Construction

**Housing:** Aluminum  
**Stud:** Stainless Steel  
**Indicator:** Nylon  
**Seals:** Buna-N  
**Elements:** Aluminum and Stainless Steel  
**Assembly Screws:** Black Oxide Plated Steel  
**Drain (20-404):** Anodized Aluminum, Acetal and Stainless Steel

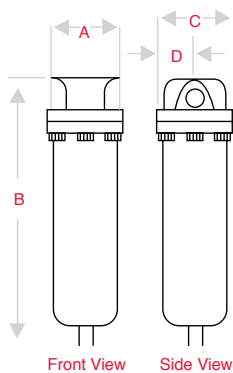


Manual Drain



Automatic Drain

## Dimensions



### Metal Bowl, Manual Drain

A: 8.0 B: 39.5 C: 8.0 D: 4.0

### Metal Bowl, Float Drain

A: 8.0 B: 45.0 C: 8.0 D: 4.0

## Ordering Information

# 201-9208-24F

Drain	
Manual Float	Blank F

Pressure Drop Indicator	
Without PDI	0
With PDI	8

Pipe Size	
3"	24



# Regulators

Adequate pressure regulation is necessary for the efficient use of pneumatic equipment. Monnier regulators are built in a variety of sizes (1/8" through 1-1/2") and with varied specifications to help suit each application's requirements. Our regulators are built with two basic designs. Diaphragm operated regulators are used to offer a quick response and maximum accuracy. Piston operated regulators provide the highest air flow possible in the larger regulator series. Monnier regulators can also be offered as relieving or non-relieving, depending on the specific needs of the application.

Monnier designs a wide variety of compressed air regulators to provide constant pressure. Standard regulators are suitable for optimal pressure ranges from 0-10 psi to 20-250 psi.

## Additional Options

- Preset at the factory
- Preset and tamper-resistant
- Lock and key regulators to eliminate unwanted adjustment
- Reverse flow regulators
- Manifold mount regulators
- Pilot operated regulators
- Anodizing available in any of eight standard colors for any regulator
- Multiple mounting options for all regulators; pipe, bracket or panel mounting

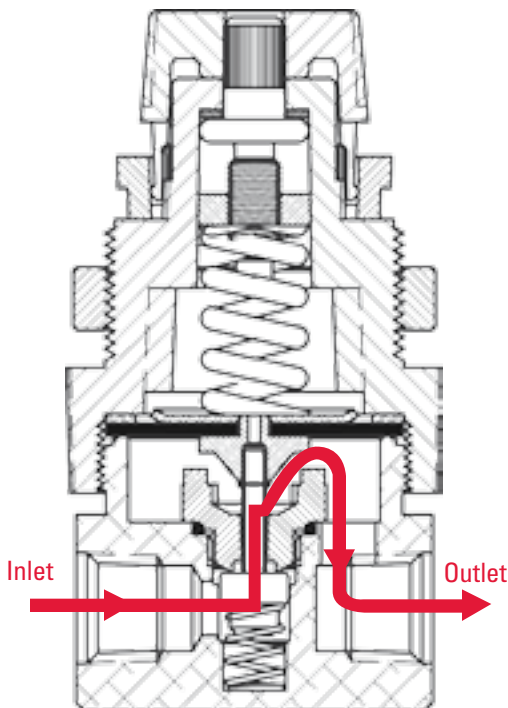
## Features

- All regulators will adjust to zero psi (shutoff) and to pressure above the range shown.
- Gauge port plugs are included with all regulators.
- Fluorocarbon seals available in place of Buna-N.
- All regulators available with pressure gauges corresponding to the pressure range.

## Specifications

Maximum Inlet Pressure: 250 PSI

Maximum Temperature: 175°F



# TABLE OF CONTENTS

<b>3000 Miniature Series</b>	1/8 & 1/4	24, 25
<b>Reverse Flow Regulators</b>	1/8, 1/4, 3/8 & 1/2	26
<b>104-1000 Standard Series</b>	1/4, 3/8 & 1/2	27, 28
<b>108-1000 Series</b>	1/4, 3/8 & 1/2	29
<b>101-1000 Series</b>	1/2 & 3/4	30
<b>4000/5000 Heavy Duty Series</b>	3/4, 1, 1 1/4 & 1 1/2	31
<b>Iso-Sized Manifold Mount Regulators</b>		32-34
<b>Piloted Operated Pressure Regulators</b>	1/8 - 1 1/2	35, 36
<b>Subminiature Regulators</b>	1/16 & 1/8	37
<b>UL Label Regulators</b>	1/8, 1/4, 3/8 & 1/2	38
<b>3101 Series Relief Valves</b>	1/8 & 1/4	39



## Warning

- Product rupture can cause serious injury
- Do not connect regulator to bottled gas
- Do not exceed maximum primary pressure rating

**WARRANTY:** Monnier, Inc. warrants each product against defects in material and workmanship for a period of one year from the date of manufacture providing its use was in accordance with Monnier, Inc. recommendations. If the product fails to perform as warranted, Monnier, Inc. will, at its option, repair or replace the product free of charge. The company will not be liable for incidental or consequential damages. We make no other warranty, expressed or implied, including warranties of merchantability or fitness for a particular purpose.

# REGULATORS: 101-3000/111-3000/102-3000 Miniature Series



## Features

- Machined aluminum body provides close tolerances for exceptional accuracy, repeatability and responsiveness
- Available with polycarbonate bonnet with locking ring or aluminum bonnet and locking nut
- Diaphragm style regulator for minimal hysteresis and greater accuracy and responsiveness
- Constant bleed fitting available for even greater accuracy
- Relieving and non-relieving versions available
- Gauge port plugs included
- Preset and tamperproof options available
- Also available with brass body for water service (non-relieving recommended)

## Operating Specifications

**Gauge Ports:** 1/8" NPT  
**Maximum Inlet Pressure:** 250 PSIG  
**Temperature Range:** 0-175°F  
**Weight:** 87 g

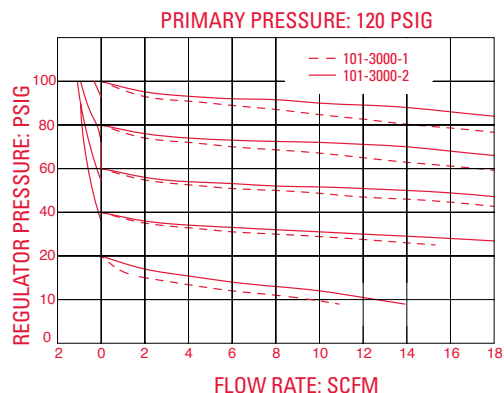
## Accessories & Kits

**Panel Nuts:** 13133 (101-3000 Series);  
 13025 (111/102-3000 Series)  
**Bracket Kits:** 13536 (101-3000 Series);  
 13534 (111/102-3000 Series)  
**Service Kits:** 13532 (Relieving);  
 13533 (Non-Relieving)  
**Constant Bleed Fitting:** 13520

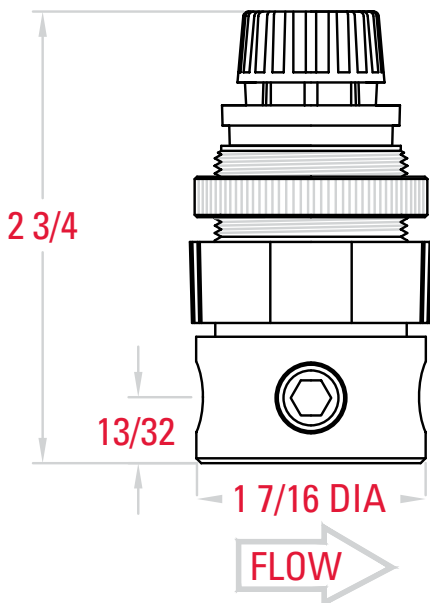
## Materials of Construction

**Body:** Machined Aluminum or Brass  
**Bonnet:** 101-3000: Polycarbonate  
 111/102-3000: Aluminum  
**Adjustment Screw:**  
 101-3000: Black Oxide Coated Steel  
 111/102-3000: Zinc Plated Steel (102 series)  
**Poppet Seat:** Nylon  
**Diaphragm Assembly:** Zinc Plated Steel, Brass,  
 Buna-N (Fluorocarbon available)  
**Seals:** Buna-N (Fluorocarbon available)  
**Poppet Spring:** Stainless Steel  
**Compression Spring:** Music Wire, Spring Steel  
**Bracket:** Zinc Plated Steel  
**Panel Nut:** Machined Aluminum

## Flow Characteristics



## Dimensions



## Ordering Information

### 101 -3000-2

Bonnet	
Polycarbonate	01
Aluminum w/ Adjusting Screw	11
Aluminum w/ Knob	02
Body	
Aluminum (standard)	Blank
Brass	B
Gauge Ports	
Yes	0
No	1
Pressure	
10-130 Relieving	00
10-130 Non-Relieving	01
5-60 Relieving	02
5-60 Non-Relieving	03
3-30 Relieving	04
3-30 Non-Relieving	05
20-250 Relieving (Aluminum Bonnet Only)	06
20-250 Non-Relieving (Aluminum Bonnet Only)	07
1-10 Relieving	08
1-10 Non-Relieving	09

Pipe Size	
1/8"	1
1/4"	2

## OPTIONS

Anodizing	
No Anodizing	Blank
Blue	A1
Black	A2
Clear	A3
Green	A4
Red	A5
Yellow	A6
Gold	A7
Purple	A8
Seals	
Buna-N	Blank
Fluorocarbon	V
Attachment Parts	
Bracket Kit	B
Gauge	G
Tamperproof	
Tamperproof (Plastic Tie w/ Poly Bonnet)	T
Tamperproof (Set screw w/ Alum Bonnet)	TS
Preset	P
Preset & Tamperproof (Plastic Tie)	PT
Preset & Tamperproof (Set Screw)	PTS



# REGULATORS: 101-3100 Manifold Mount Series



## Features

- Same performance as the 101-3000 series but with easy to mount manifold interface
- 3/8-24 nipple acts as inlet and mounting mechanism
- No mounting screw or hardware required
- Perfect for multiple pressure manifolds or integrating components in a pneumatic circuit

## Operating Specifications

**Maximum Inlet Pressure:** 250 PSIG  
**Temperature Range:** 0-175°F  
**Weight:** 87 g

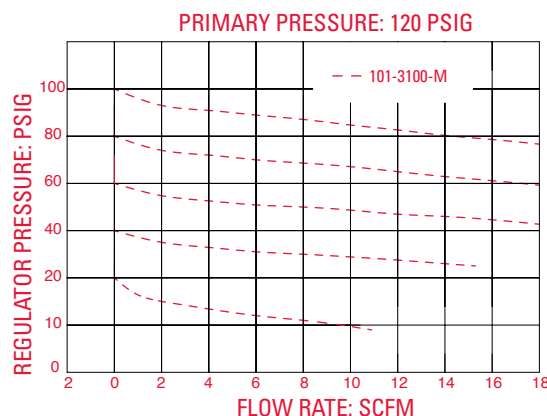
## Accessories & Kits

**Panel Nuts:** 13133 (101-3000 Series);  
 13025 (111/102-3000 Series)  
**Bracket Kits:** 13536 (101-3000 Series);  
 13534 (111/102-3000 Series)  
**Service Kits:** 13532 (Relieving);  
 13533 (Non-Relieving)  
**Constant Bleed Fitting:** 13520

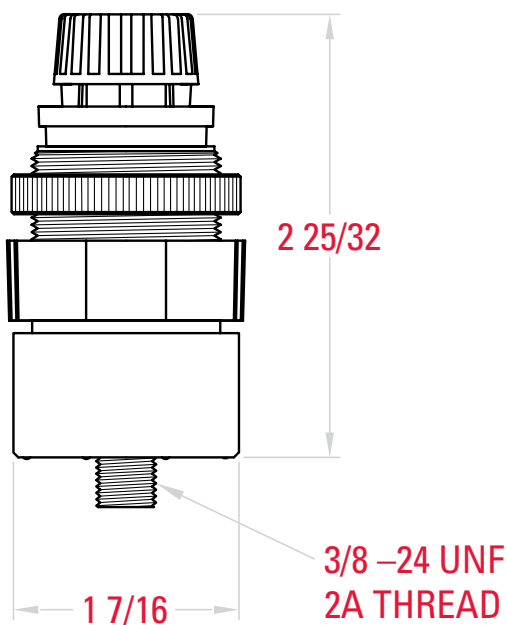
## Materials of Construction

**Body:** Machined Aluminum or Brass  
**Bonnet:** 101-3000: Polycarbonate  
 111/102-3000: Aluminum  
**Adjustment Screw:**  
**101-3000:** Black Oxide Coated Steel  
**111/102-3000:** Zinc Plated Steel (102 series)  
**Poppet Seat:** Nylon  
**Diaphragm Assembly:** Zinc Plated Steel, Brass, Buna-N (Fluorocarbon available)  
**Seals:** Buna-N (Fluorocarbon available)  
**Poppet Spring:** Stainless Steel  
**Compression Spring:** Music Wire, Spring Steel  
**Bracket:** Zinc Plated Steel  
**Panel Nut:** Machined Aluminum  
**Mounting Nipple:** Zinc Plated Steel

## Flow Characteristics



## Dimensions



## Ordering Information

# 101-3100-M

Bonnet	
Polycarbonate	01
Aluminum w/ Adjusting Screw	11
Aluminum w/ Knob	02

Pressure	
10-130 Relieving	00
10-130 Non-Relieving	01
5-60 Relieving	02
5-60 Non-Relieving	03
3-30 Relieving	04
3-30 Non-Relieving	05
20-250 Relieving	06
(Aluminum Bonnet Only)	06
20-250 Non-Relieving	07
(Aluminum Bonnet Only)	07
1-10 Relieving	08
1-10 Non-Relieving	09

OPTIONS	
Anodizing	
No Anodizing	Blank
Blue	A1
Black	A2
Clear	A3
Green	A4
Red	A5
Yellow	A6
Gold	A7
Purple	A8

# REGULATORS: 101C-3000 Reverse Flow Miniature Series



## Features

- Provides regulated pressure when flowing inlet to outlet
- Built-in check valve allows unrestricted reverse flow
- Allows regulator to be placed between valve and actuator to regulate cylinder ports independently
- Same accuracy, repeatability and responsiveness as standard 101-3000 regulators

## Operating Specifications

**Gauge Ports:** 1/8" NPT  
**Maximum Inlet Pressure:** 250 PSIG  
**Temperature Range:** 0-175°F  
**Weight:** 87 g

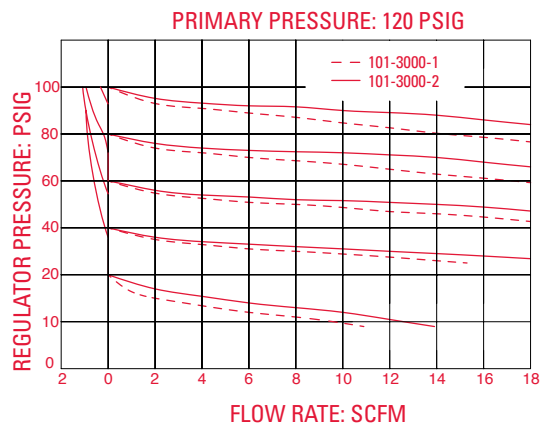
## Accessories & Kits

**Panel Nuts:** 13133 (101-3000 Series);  
 13025 (111/102-3000Series)  
**Bracket Kits:** 13536 (101-3000 Series);  
 13534 (111/102-3000 Series)  
**Service Kits:** 13532 (Relieving);  
 13533 (Non-Relieving)  
**Constant Bleed Fitting:** 13520

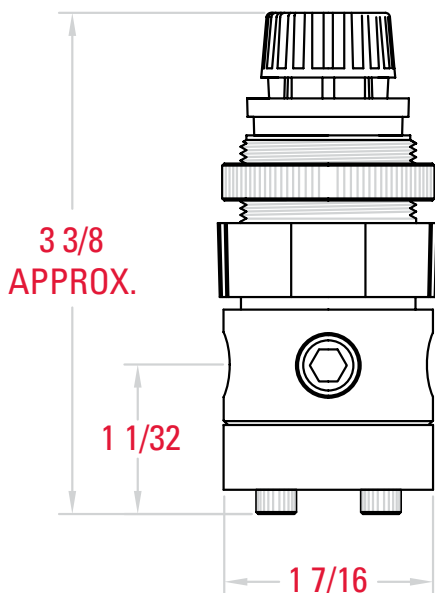
## Materials of Construction

**Body:** Aluminum  
**Bonnet:** Polycarbonate or Aluminum  
**Adjustment Screw:**  
 101-3000: Black Oxide Coated Steel  
 111/102-3000: Zinc Plated Steel (102 Series)  
**Poppet Seat:** Nylon  
**Diaphragm Assembly:** Zinc Plated Steel, Brass,  
 Buna-N (Fluorocarbon available)  
**Seals:** Buna-N (Fluorocarbon available)  
**Poppet Spring:** Stainless Steel  
**Compression Spring:** Music Wire, Spring Steel  
**Poppet Spring:** Stainless Steel  
**Bracket:** Zinc Plated Steel  
**Panel Nut:** Machined Aluminum  
**Check Valve Ball:** Buna-N (Fluorocarbon Available)  
**Check Valve Spring:** Stainless Steel  
**Check Valve Cover:** Aluminum

## Flow Characteristics



## Dimensions



## Ordering Information

### 101C-1000-2

Bonnet	
Polycarbonate	01
Aluminum w/ Adjusting Screw	11
Aluminum w/ Knob	02

Gauge Ports	
Yes	0
No	1

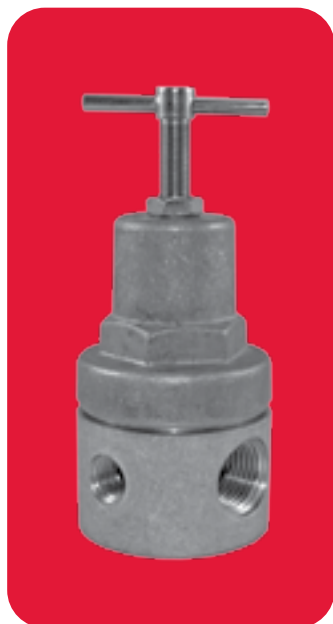
Pressure	
10-130 Relieving	00
10-130 Non-Relieving	01
5-60 Relieving	02
5-60 Non-Relieving	03
3-30 Relieving	04
3-30 Non-Relieving	05
20-250 Relieving	06
20-250 Non-Relieving	07
1-10 Relieving	08
1-10 Non-Relieving	09

Pipe Size	
1/8"	1
1/4"	2

### OPTIONS

Anodizing	
No Anodizing	Blank
Blue	A1
Black	A2
Clear	A3
Green	A4
Red	A5
Yellow	A6
Gold	A7
Purple	A8
Seals	
Buna-N	Blank
Fluorocarbon	V
Attachment Parts	
Bracket Kit	B
Gauge	G
Tamperproof	
Tamperproof (Plastic Tie w/ Poly Bonnet)	T
Tamperproof (Set screw w/ Alum Bonnet)	TS
Preset	P
Preset & Tamperproof (Plastic Tie)	PT
Preset & Tamperproof (Set Screw)	PTS

# REGULATORS: 104-1000 Standard Series



## Features

- Machined Aluminum body provides close tolerances for exceptional accuracy, repeatability and responsiveness
- Diaphragm style regulator for minimal hysteresis and greater responsiveness
- Constant bleed fitting available for even greater accuracy
- Relieving and non-relieving versions available
- Gauge port plugs included
- Bracket and panel mounting available
- Available with T-handle, knob or lock and key mechanism
- Preset and tamperproof options available

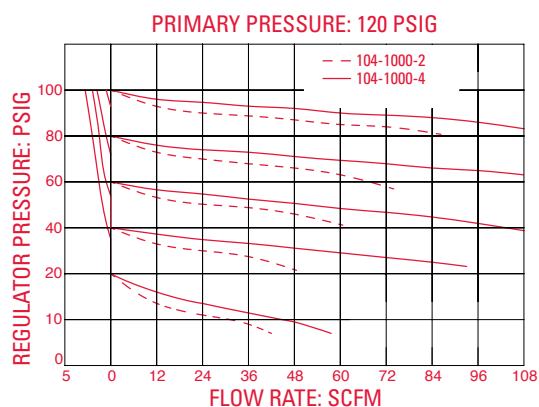
## Materials of Construction

- Body:** Machined Aluminum
- Bonnet:** Aluminum
- Adjustment Screw:** Zinc Plated Steel
- Poppet Valve:** Brass
- Poppet Spring:** Stainless Steel
- Poppet Seat:** Brass
- Diaphragm Assembly:** Buna-N (Fluorocarbon available) and Brass
- Seals:** Buna-N (Fluorocarbon available)
- Compression Spring:** Zinc Plated Steel
- Spring Guide:** Zinc Plated Steel

## Operating Specifications

- Gauge Ports:** two 1/4" NPT (Standard)
- Maximum Inlet Pressure:** 250 PSIG
- Temperature Rating:** Aluminum Bonnet: 0-175°F
- Weight:** 430 g

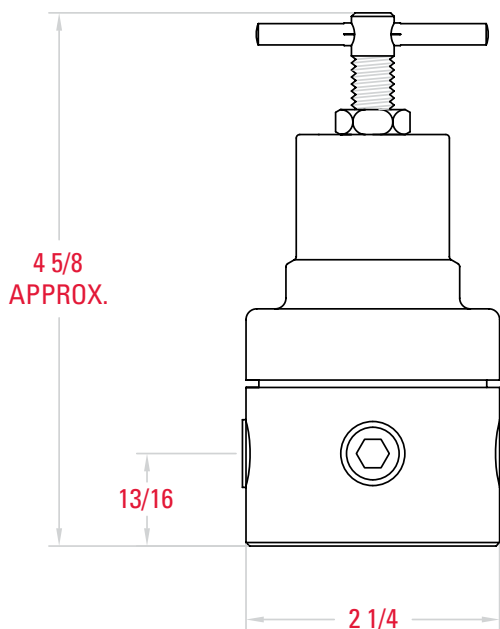
## Flow Characteristics



## Accessories & Kits

- Panel Nuts:** 11124 (105 & 106)
- Repair Kit:** (Relieving) 11513; (Relieving -1006) 11959; (Non-Relieving) 11515; (Non-Relieving-1007) 11958
- Bracket:** 11122 (105 & 106); 11543 (104)
- Constant Bleed Fitting:** (1/4") 13557

## Dimensions



## Ordering Information

# 104-1000-2

Thread Options	
Unthreaded Bonnet	4
Threaded bonnet w/ Nuts	5
Threaded Bonnet w/ Bracket and Nuts	6

Gauge Ports	
Yes	0
No	1

Pressure	
10-130 Relieving	00
10-130 Non-Relieving	01
5-60 Relieving	02
5-60 Non-Relieving	03
3-30 Relieving	04
3-30 Non-Relieving	05
20-250 Relieving	06
20-250 Non-Relieving	07

Pipe Size	
1/4"	2
3/8"	3
1/2"	4

### OPTIONS

Anodizing	
No Anodizing	Blank
Blue	A1
Black	A2
Clear	A3
Green	A4
Red	A5
Yellow	A6
Gold	A7
Purple	A8
Seals	
Buna-N	Blank
Fluorocarbon	V
Attachment Parts	
Gauge	G
Knob	K
Tamperproof	
Tamperproof (Lock & Key)	T
Preset	P
Preset & Tamperproof (Lock & Key)	PT

# REGULATORS: 104C-1000 Standard Series



## Features

- Provides regulated pressure when flowing inlet to outlet
- Built-in check valve allows unrestricted reverse flow
- Allows regulator to be placed between valve and actuator to regulate cylinder ports independently
- Same accuracy, repeatability and responsiveness as standard 104-1000 regulators

## Operating Specifications

**Gauge Ports:** 1/4" NPT (Standard)  
**Maximum Inlet Pressure:** 250 PSIG  
**Temperature Rating:** Aluminum Bonnet: 0-175°F  
**Weight:** 430 g

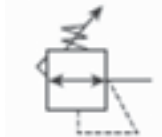
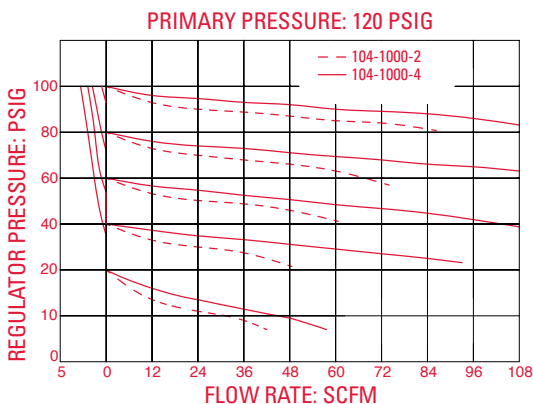
## Accessories & Kits

**Panel Nuts:** 11124 (105 & 106)  
**Repair Kit:** (Relieving) 11513;  
 (Relieving -1006) 11959;  
 (Non-Relieving) 11515;  
 (Non-Relieving-1007) 11958  
**Bracket:** 11122 (105 & 106); 11543 (104)  
**Constant Bleed Fitting:** (1/4") 13557

## Materials of Construction

**Body:** Machined Aluminum  
**Bonnet:** Aluminum  
**Adjustment Screw:** Zinc Plated Steel  
**Poppet Valve:** Brass  
**Poppet Spring:** Stainless Steel  
**Poppet Seat:** Brass  
**Diaphragm Assembly:** Buna-N and Brass  
 (Fluorocarbon available)  
**Seals:** Buna-N (Fluorocarbon available)  
**Compression Spring:** Zinc Plated Steel  
**Check Valve Ball:** Buna-N (Fluorocarbon Available)  
**Check Valve Spring:** Stainless Steel  
**Check Valve Cover:** Machined Aluminum

## Flow Characteristics

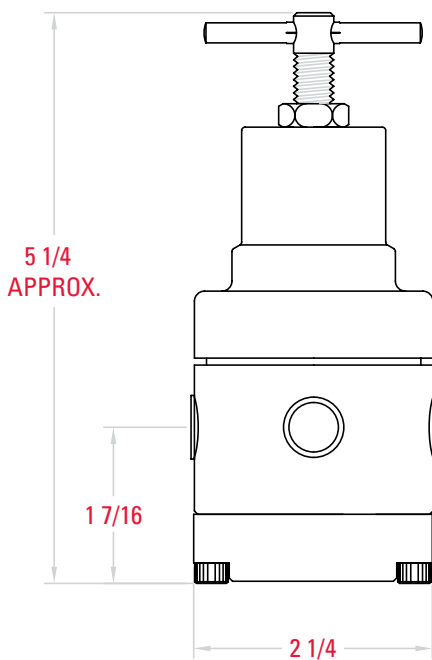


Relieving



Non-Relieving

## Dimensions



## Ordering Information

### 104C-1000-2

Thread Options	
Unthreaded Bonnet	4
Threaded bonnet w/ Nuts	5
Threaded Bonnet w/ Bracket and Nuts	6

Pressure	
10-130 Relieving	00
10-130 Non-Relieving	01
5-60 Relieving	02
5-60 Non-Relieving	03
3-30 Relieving	04
3-30 Non-Relieving	05
20-250 Relieving	06
20-250 Non-Relieving	07

Pipe Size	
1/4"	2
3/8"	3
1/2"	4

### OPTIONS

Anodizing	
No Anodizing	Blank
Blue	A1
Black	A2
Clear	A3
Green	A4
Red	A5
Yellow	A6
Gold	A7
Purple	A8
Seals	
Buna-N	Blank
Fluorocarbon	V
Attachment Parts	
Gauge	G
Knob	K
Tamperproof	
Tamperproof (Lock & Key)	T
Preset	P
Preset & Tamperproof (Lock & Key)	PT

# REGULATORS: 108-1000 Standard Series



## Features

- Convenient push to lock knob design
- Acetal bonnet and knob
- Mounting nut comes standard
- Diaphragm design for minimal hysteresis and greater responsiveness
- Black anodizing standard (other colors available)
- Machined aluminum body
- Can be ordered with gauge

## Operating Specifications

**Gauge Ports:** 1/4" NPT (Standard)  
**Maximum Inlet Pressure:** 250 PSIG  
**Temperature Rating:** Aluminum Bonnet: 0-175°F  
**Weight:** 522g

## Materials of Construction

**Body:** Machined Aluminum  
**Bonnet:** Glass Filled Acetal  
**Knob, Adjuster & Mounting Nut:** Acetal  
**Diaphragm Gasket:** Acetal  
**Spring Guide:** Machined Aluminum  
**Seat:** Brass  
**Poppet Assembly:** Brass  
**Seals:** Buna-N (Fluorocarbon available)  
**Compression Spring:** Zinc Plated Steel  
**Poppet Spring:** Stainless Steel

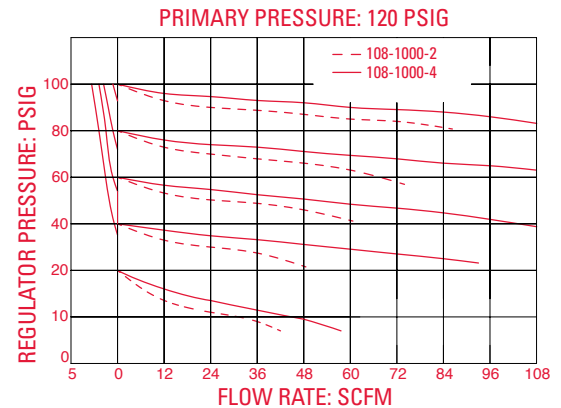


## Accessories & Kits

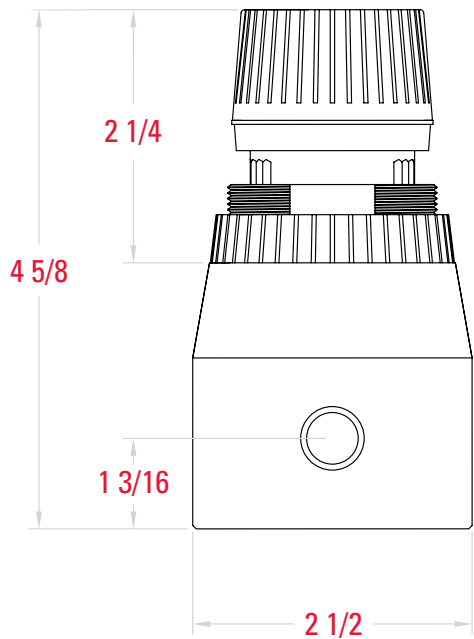
**Mounting Bracket:** 11430

REGULATOR KITS	0-50 PSI	0-150 PSI
<b>Relieving (1/4 &amp; 3/8):</b>	11472	11470
<b>Non-Relieving (1/4 &amp; 3/8):</b>	11473	11471
REGULATOR KITS	0-50 PSI	0-150 PSI
<b>Relieving (1/2):</b>	11482	11480
<b>Non-Relieving (1/2):</b>	11483	11481

## Flow Characteristics



## Dimensions



## Ordering Information

# 108-1000-4

Pressure Range	
0-150 Relieving	0
0-150 Non-Relieving	1
0-50 Relieving	2
0-150 Non-Relieving	3

OPTIONS	
Anodizing	
Black	Blank
Blue	A1
Clear	A3
Green	A4
Red	A5
Yellow	A6
Gold	A7
Purple	A8
Preset	P
Attachment Parts	
Gauge	G
Bracket	B
Seals	
Buna-N (Standard)	Blank
Fluorocarbon	V

Pipe Size	
1/4	-2
3/8	-3
1/2	-4

# REGULATORS: 101-1000 Standard Series



## Features

- Machined aluminum body provides close tolerances for exceptional accuracy, repeatability and responsiveness
- Diaphragm style regulator for minimal hysteresis and greater responsiveness
- Constant bleed fitting available for even greater accuracy
- Relieving and non-relieving versions available
- Gauge port plugs included
- Available with T-handle, knob or lock and key mechanism
- Available with 1/2" and 3/4" ports

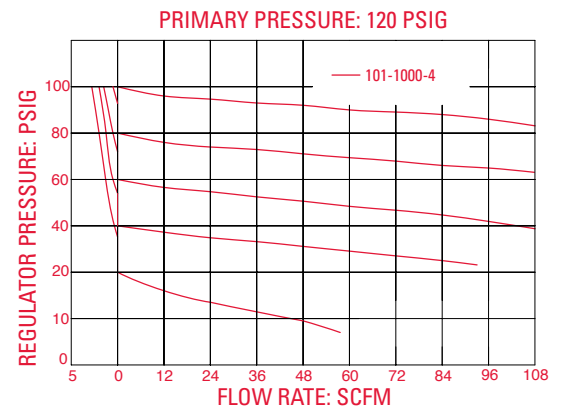
## Materials of Construction

- Body:** Machined Aluminum
- Diaphragm Assembly:** Buna-N (Fluorocarbon Available) and Brass
- Compression Spring:** Spring Steel
- Bonnet:** Aluminum
- Poppet Seat:** Brass
- Poppet Valve:** Brass
- Adjustment Screw:** Plated Steel
- T-Handle:** Zinc Plated Steel
- Knob:** Plastic
- Spring Guide:** Zinc Plated Steel

## Operating Specifications

- Gauge Ports:** 1/4" NPT (Standard)
- Maximum Inlet Pressure:** 250 PSIG
- Temperature Rating:** Aluminum Bonnet: 0-175°F
- Weight:** 522g

## Flow Characteristics



Relieving

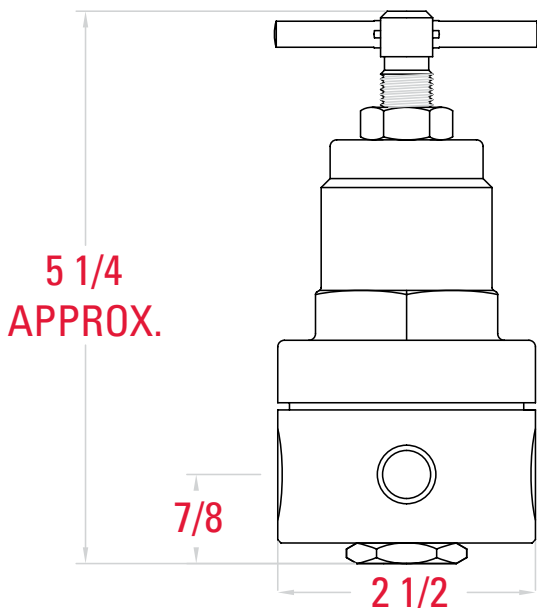


Non-Relieving

## Accessories & Kits

- Panel Nuts:** 11124 (102 & 103)
- Repair Kit:**
  - (Relieving) 11544
  - (Non-Relieving) 11565
  - (Relieving-1006) 11545
  - (Non-Relieving-1007) 11546
- Constant Blend Fitting:** 13557

## Dimensions



## Ordering Information

# 101-1000-4

Bonnet	
Unthreaded Bonnet	1
Threaded bonnet w/ Nuts	2
Threaded Bonnet w/ Bracket and Nuts	3

Pressure	
10-130 Relieving	00
10-130 Non-Relieving	01
5-60 Relieving	02
5-60 Non-Relieving	03
3-30 Relieving	04
3-30 Non-Relieving	05
20-250 Relieving	06
20-250 Non-Relieving	07
1-10 Relieving	08
1-10 Non-Relieving	09

Pipe Size	
1/2"	4
3/4"	6

### OPTIONS

Anodizing	
No Anodizing	Blank
Blue	A1
Black	A2
Clear	A3
Green	A4
Red	A5
Yellow	A6
Gold	A7
Purple	A8
Seals	
Buna-N	Blank
Fluorocarbon	V
Attachment Parts	
Gauge	G
Knob	K
Tamperproof	
Tamperproof (Lock & Key)	T
Preset	P
Preset & Tamperproof (Lock & Key)	PT

# REGULATORS: 116-4000/5000 Heavy Duty Series



## Features

- Pipe size between 3/4" and 1-1/2"
- Machined aluminum body provides close tolerances for exceptional accuracy, repeatability and responsiveness.
- Piston style regulator
- Relieving and non-relieving versions available
- Gauge port plugs included
- Available with T-handle, knob or lock and key mechanism
- Preset and tamperproof options available
- Gauges available
- Constant bleed fitting available for even greater accuracy

## Operating Specifications

**Gauge Ports:** two 1/4" NPT (Standard)  
**Maximum Inlet Pressure:** 250 PSIG  
**Temperature Rating:** Aluminum Bonnet: 0-175°F  
**Weight:**  
 (116-4000): 1520 g  
 (116-5000): 1428 g

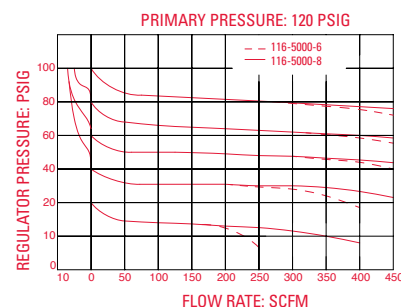
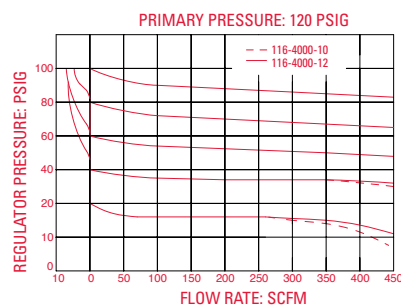
## Accessories & Kits

**Panel Nuts:** (w/ 117 only) 11125  
**Repair Kit:** 14520  
**Constant Bleed Fitting:** 13557

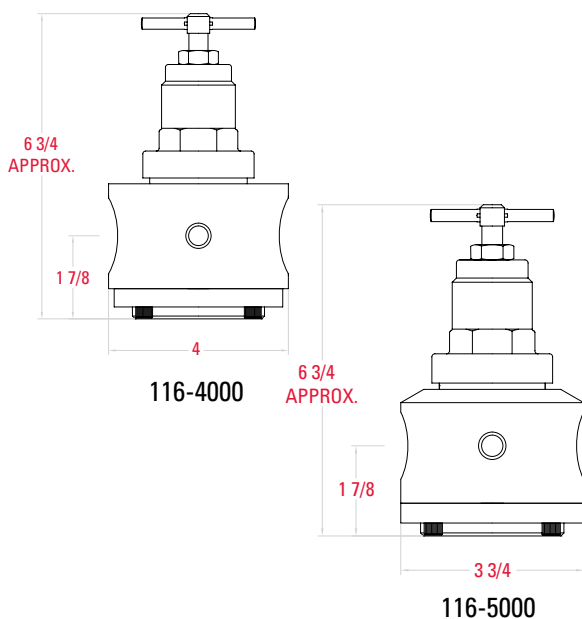
## Materials of Construction

**Body:** Machined Aluminum  
**Piston Assembly:** Machined Aluminum  
**Compression Spring:** Spring Steel  
**Bonnet:** Aluminum  
**Poppet Seat:** Brass **Poppet Valve:** Brass  
**Adjustment Screw:** Zinc Plated Steel  
**T-Handle:** Zinc Plated Steel  
**Locking Nut:** Zinc Plated Steel  
**Spring Guide:** Zinc Plated Steel  
**Knob:** Plastic

## Flow Characteristics



## Dimensions



## Ordering Information

# 116-5000-6

Thread Options	
Pipe Mounting (unthreaded)	6
Bracket Mounting (threaded)	7

Body Size	
1 1/4", 1 1/2"	4
3/4", 1"	5

Pressure	
10-130 Relieving	00
10-130 Non-Relieving	01
5-60 Relieving	02
5-60 Non-Relieving	03
3-30 Relieving	04
3-30 Non-Relieving	05
20-250 Relieving	06
20-250 Non-Relieving	07

Pipe Size	
3/4"	6
1"	8
1 1/4"	10
1 1/2"	12

## OPTIONS

Anodizing	
No Anodizing	Blank
Blue	A1
Black	A2
Clear	A3
Green	A4
Red	A5
Yellow	A6
Gold	A7
Purple	A8
Seals	
Buna-N (Standard)	Blank
Fluorocarbon	V
Attachment Parts	
Gauge	G
Knob	K
Tamperproof	
Tamperproof (Lock & Key)	T
Preset	P
Preset & Tamperproof (Lock & Key)	PT



# REGULATORS: Iso-Size Manifold Mount Series



Relieving



Non-Relieving

## Features

- Manifold mount regulators sized to ISO specifications
- Available with polycarbonate or aluminum bonnets
- Adapter plates available for mounting regulator to your manifold or sandwich block
- Manifolds available - call factory for details

## Operating Specifications

SIZE	1	2	3
<b>Inlet Hole:</b>	3/8"	11/16"	13/16"
<b>Outlet Hole:</b>	(2) 1/4"	(2) 7/16"	(2) 7/16"
<b>Mounting Threads:</b>	10-32 UNF	10-32 UNF	1/4-20 UNF
<b>Maximum Temperature:</b>	175°F	175°F	175°F
<b>Maximum Inlet Pressure:</b>	250 PSI	250 PSI	250 PSI

## Accessories & Kits

SIZE	1	2	3
<b>Repair Kit:</b>	11716	11716	11736
<b>Mounting Kits:</b>	11708	11718	11733

## Materials of Construction

- Body:** Aluminum
- Bonnet:** Polycarbonate or Aluminum
- Adjusting Screw:** Zinc Plated Steel
- Locking Nut:** Zinc Plated Steel
- Spring Guide:** Zinc Plated Steel
- Poppet Valve Guide:** Brass
- Poppet Valve Spring:** Stainless Steel
- Valve Seat:** Brass
- Seals:** Buna-N (Fluorocarbon available)
- Compression Spring:** Spring Steel
- Piston:** Aluminum

## Ordering Information

# R 01-10 A

Gauge Ports	
Yes	0
No	1

Body Size	
Size 1	1
Size 2	2
Size 3	3

Pressure	
10-130 Relieving	0
10-130 Non-Relieving	1
5-60 Relieving	2
5-60 Non-Relieving	3
3-30 Relieving	4
3-30 Non-Relieving	5
20-250 Relieving (metal bonnet only)	6
20-250 Non-Relieving (metal bonnet only)	7

### OPTIONS

Anodizing	
No Anodizing	Blank
Blue	A1
Black	A2
Clear	A3
Green	A4
Red	A5
Yellow	A6
Gold	A7
Purple	A8

Seals	
Buna-N	Blank
Fluorocarbon	V

Attachment Parts	
Knob (Aluminum Bonnet only)	K

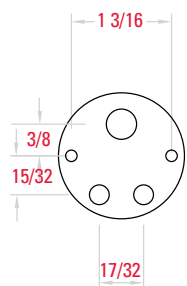
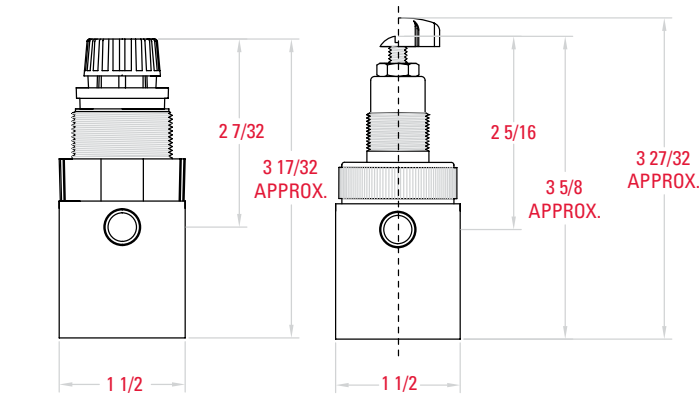
Bonnet	
Aluminum Bonnet	A
Polycarbonate Bonnet (Size 1 & 2 only)	P

# REGULATORS: Iso-Size Manifold Mount Series

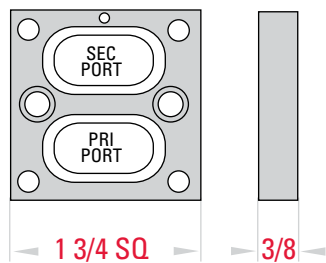
## SIZE 1

PLASTIC BONNET

ALUMINUM BONNET



### Adaptor Plate Kit

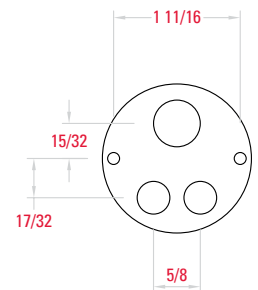
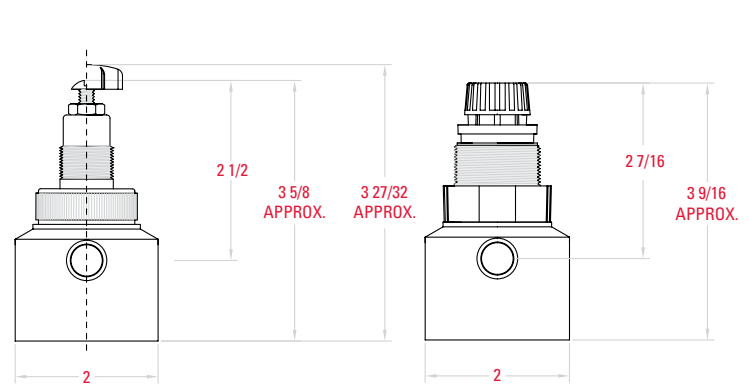


Order Part Number 11708

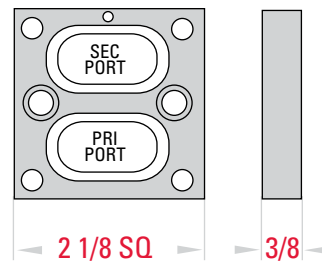
## SIZE 2

ALUMINUM BONNET

PLASTIC BONNET



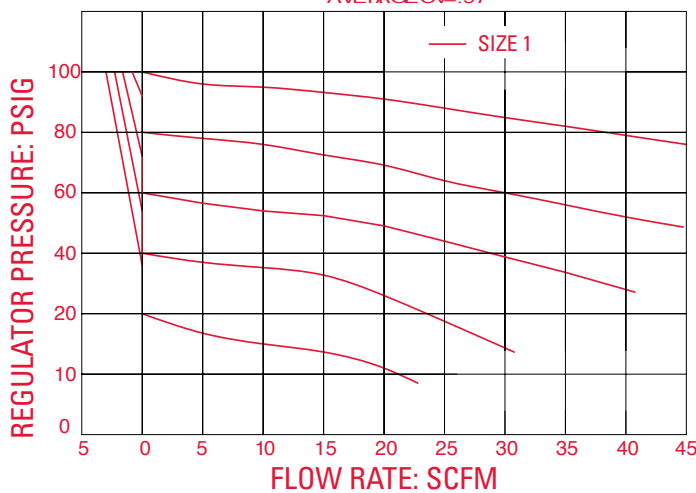
### Adaptor Plate Kit



Order Part Number 11718

### Flow Characteristics

PRIMARY PRESSURE: 120 PSIG  
AVERAGE Cv= .97

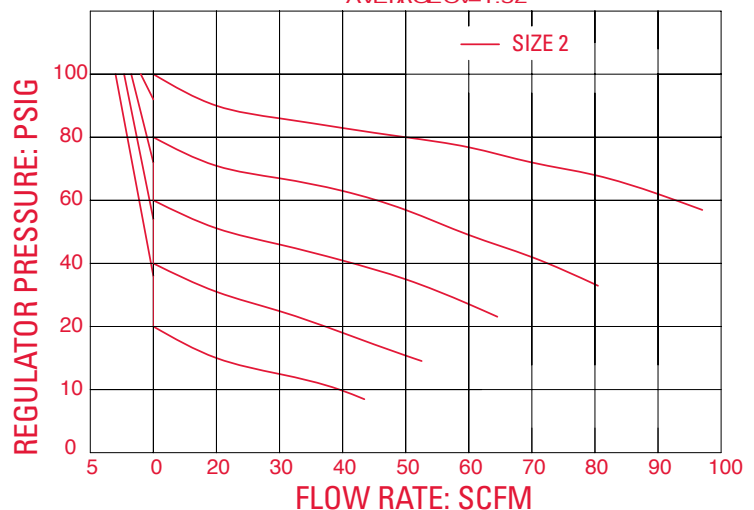


### INVERSE PRESSURE EFFECT

For each 25 PSI primary pressure change, the secondary pressure reacts inversely 1 PSI.

### Flow Characteristics

PRIMARY PRESSURE: 120 PSIG  
AVERAGE Cv= 1.52

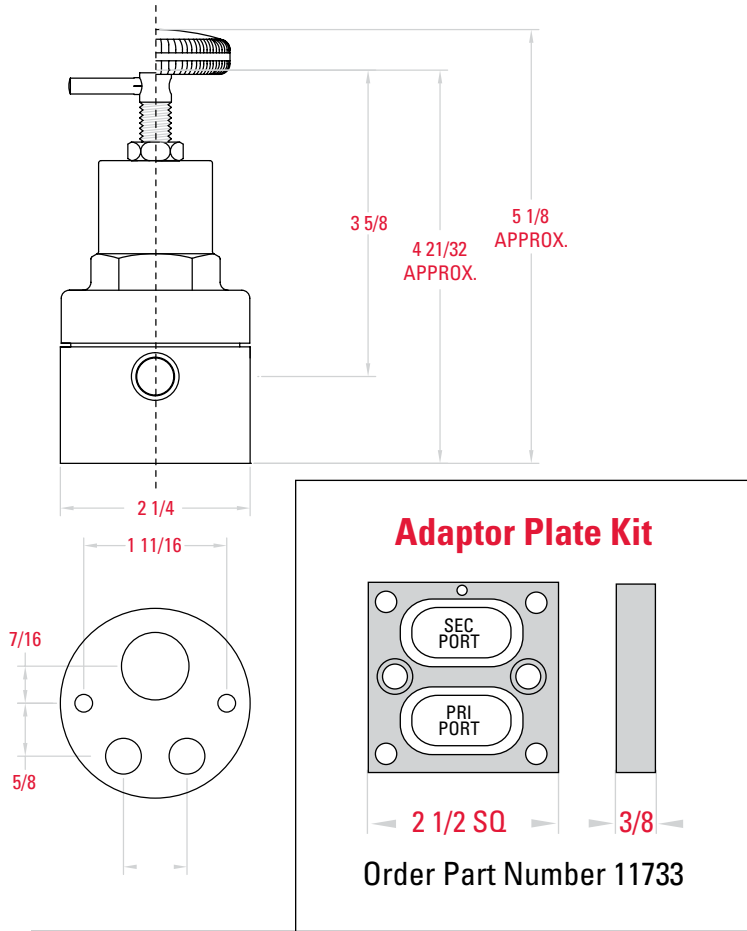


### INVERSE PRESSURE EFFECT

For each 50 PSI primary pressure change, the secondary pressure reacts inversely 1 PSI.

## SIZE 3

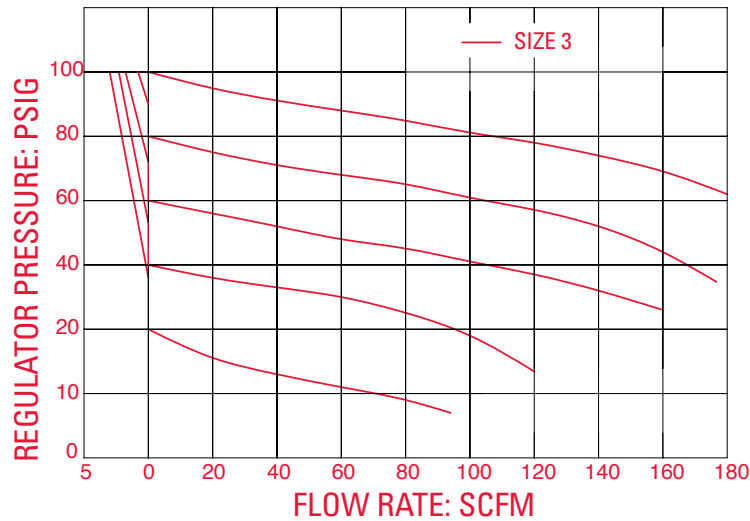
### ALUMINUM BONNET



### Flow Characteristics

PRIMARY PRESSURE: 120 PSIG

AVERAGE Cv=3.61



### INVERSE PRESSURE EFFECT

For each 50 PSI primary pressure change, the secondary pressure reacts inversely 1 PSI.

# REGULATORS: 118-3000/1000 Pilot Operated Pressure Series



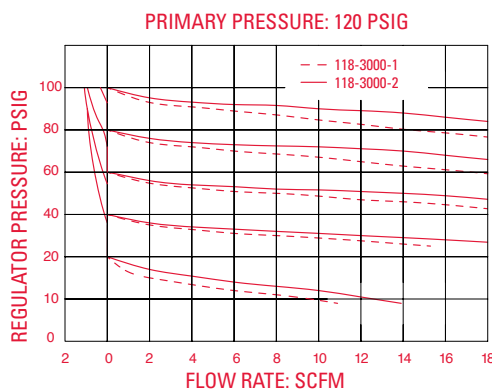
## Features

- Piston over diaphragm actuation for fast response and compact design
- Large flows with negligible pressure drop
- Two 1/4" NPT gauge ports
- 1/4" NPT pilot port

## Operating Specifications

**Maximum Pressure:** 250 PSI  
**Temperature:** 0-175°F  
**Pilot Port:** 1/8" NPT (3000 Series)  
 1/4" NPT (1000 Series)  
**Gauge Port:** 1/8" NPT (3000 Series)  
 1/4" NPT (1000 Series)

## Flow Characteristics

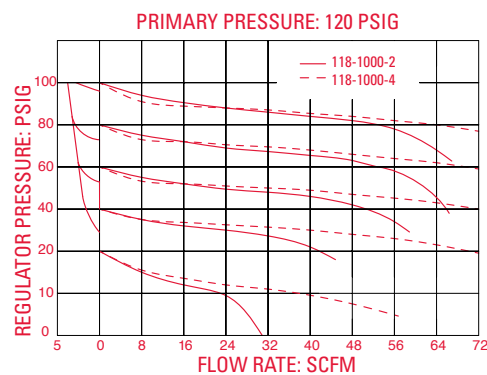


## Materials of Construction

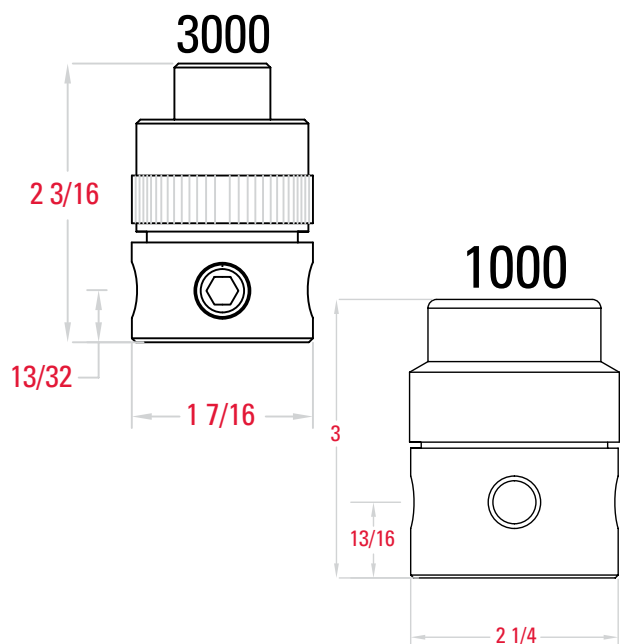
**Body:** Machined Aluminum  
**Piston:** Machined Aluminum  
**Air Cap:** Machined Aluminum  
**Poppet:**  
 3000 Series: Buna-N (Fluorocarbon Available)  
 1000 Series: Brass  
**Poppet Seat:**  
 3000 Series: Nylon; 1000 Series: Brass  
**Poppet Seal:** Buna-N (Fluorocarbon Available)  
**Diaphragm:** Buna-N (Fluorocarbon Available)

## Accessories & Kits

**3000 Series Repair Kit:**  
 13532 (Relieving); 13533 (Non-Relieving)  
**1000 Series Repair Kit:**  
 Relieving-11536, Non-Relieving-11535  
**Mounting Nut (3000 Series only):** 13025



## Dimensions



## Ordering Information

# 118-1000-4

Body Size	
Standard (1/4", 3/8", 1/2")	1
Miniature (1/8", 1/4")	3

Gauge Ports	
Yes	0
No (3000 Only)	1

Pipe Size	
1/8" (3000 Series Only)	1
1/4"	2
3/8"	3
1/2"	4

### OPTIONS

Anodizing	
No Anodizing	Blank
Blue	A1
Black	A2
Clear	A3
Green	A4
Red	A5
Yellow	A6
Gold	A7
Purple	A8

Seals	
Buna-N	Blank
Fluorocarbon	V

Attachment Parts	
Gauge	G

# REGULATORS: 118-5000/4000 Pilot Operated Pressure Series



## Features

- Piston over piston actuation for fast response and compact design
- Large flow with negligible pressure drop

## Operating Specifications

**Maximum Pressure:** 250 PSI  
**Temperature:** 175°F  
**Pilot Port:** 1/4" NPT  
**Gauge Ports:** 1/4" NPT

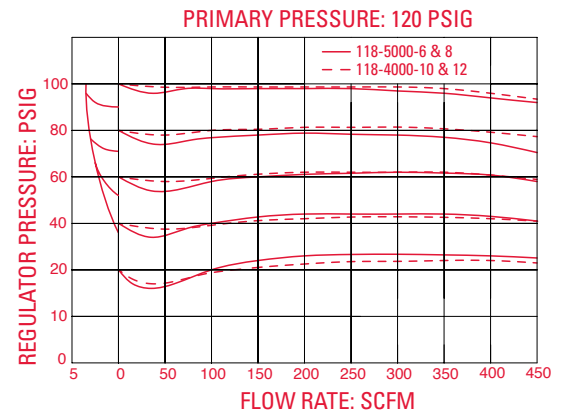
## Accessories & Kits

**Repair Kit:** 14516

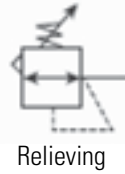
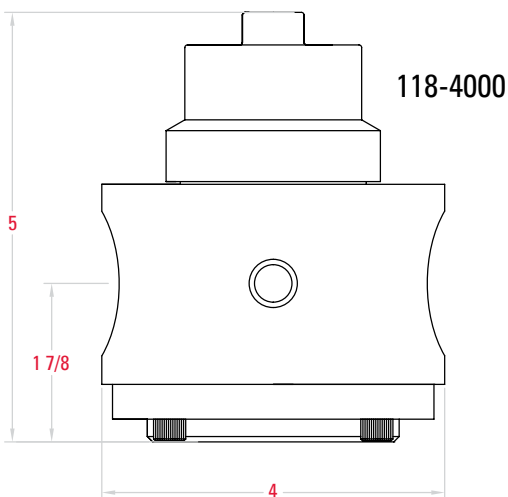
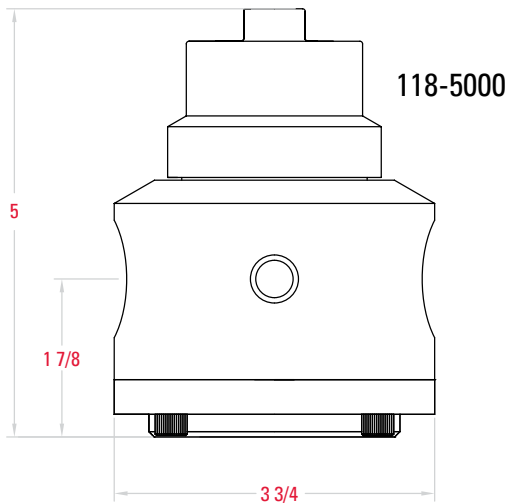
## Materials of Construction

**Body:** Machined Aluminum  
**Bonnet:** Machined Aluminum  
**Piston:** Machined Aluminum  
**Air Cap:** Machined Aluminum  
**Screws:** Zinc Plated Steel  
**Seals:** Buna-N (Fluorocarbon Available)  
**Poppet Spring:** Stainless Steel  
**Poppet Seat:** Brass  
**Poppet Valve:** Brass

## Flow Characteristics



## Dimensions



## Ordering Information

### 118-4000-6

Series	
5000 (3/4" & 1")	5
4000 (1 1/4" & 1 1/2")	4

### OPTIONS

Anodizing	
No Anodizing	Blank
Blue	A1
Black	A2
Clear	A3
Green	A4
Red	A5
Yellow	A6
Gold	A7
Purple	A8

Seals	
Buna-N	Blank
Fluorocarbon	V

Attachment Parts	
Gauge	G

Pipe Size	
3/4"	6
1"	8
1 1/4"	10
1 1/2"	12

# REGULATORS: 101-0500 Subminiature Series



## Features

- Specifically designed for use with low-volume air flows or for dead-end service
- Ideal where space is at a premium
- True instrumentation quality
- Lightweight compact design
- Excellent repeatability
- Available as pilot operated

## Operating Specifications

**Maximum Pressure:** 250 PSI

**Temperature:** 0-175°F

## Materials of Construction

**Body:** Anodized Aluminum

**Bonnet:** Anodized Aluminum

**Spring:** Spring Steel

**Adjustment Knob & Screw:** Plastic and Plated Steel

**Stem:** Brass

**Tube Fittings:** Brass

**Seals:** Buna-N (Fluorocarbon Available)

**Panel Nut:** Plated Steel

**Spring Guide:** Zinc Chromate Plated Steel

**Poppet Spring:** Stainless Steel

**Poppet Valve:** Buna-N (Fluorocarbon Available)

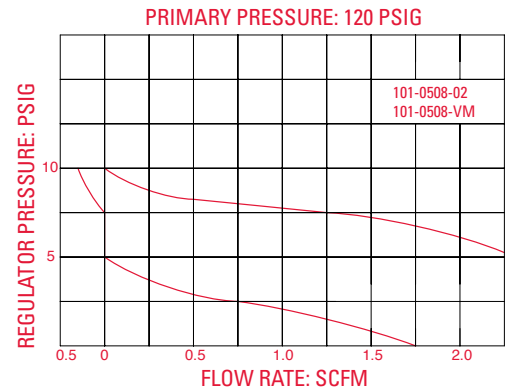
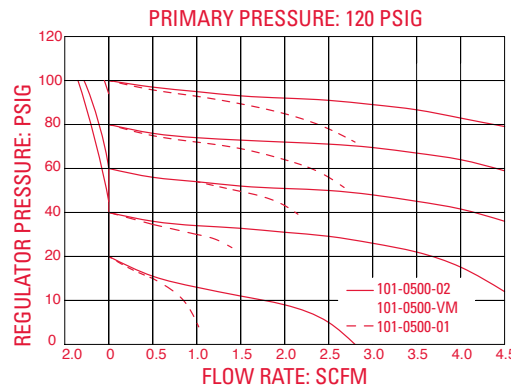
## Accessories & Kits

**Repair Kit:** 10502

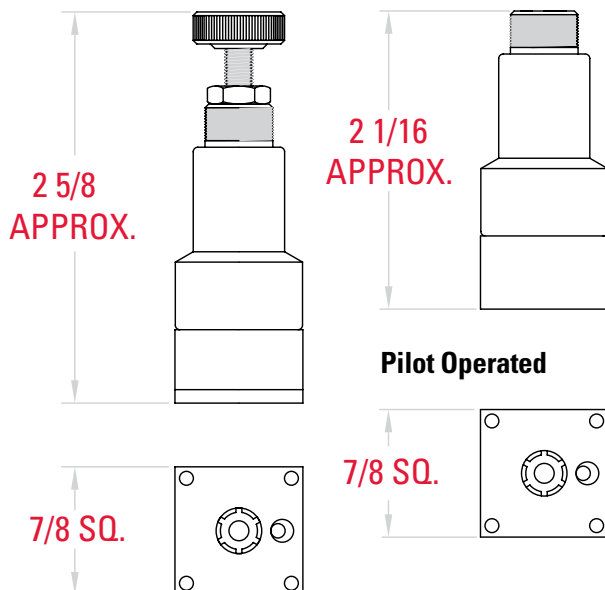
**Panel Nut:** 10015

**Gasket Mounting Kit:** 10514 (VM option only)

## Flow Characteristics



## Dimensions



## Ordering Information

# 101-0500-01

### Adjustment Style

Compression Spring (standard)	01
Pilot Operated	18

### Pressure Range

0-100 Relieving	00
0-100 Non-Relieving	01
0-25 Relieving	04
0-25 Non-Relieving	05
1-10 Relieving	08
1-10 Non-Relieving	09

### Connection Type

1/16 ID Tubing Fitting	01
1/8 ID Tubing Fitting	02
Sub-base Mounted	VM

### OPTIONS

#### Anodizing

No Anodizing	Blank
Blue	A1
Black	A2
Clear	A3
Green	A4
Red	A5
Yellow	A6
Gold	A7
Purple	A8

#### Seals

Buna-N	Blank
Fluorocarbon	V

#### Tamperproof

Preset	P
Preset & Tamperproof	PT

# REGULATORS: UL Label Series



## Features

- Monnier UL Label Regulators give the assurance of a UL-listed product
- Available in both miniature and standard sizes
- Excellent for use in dry fire sprinkler systems
- Same features as standard regulators (flow, dimensions, etc.)

## Accessories & Kits (104-1000)

**Panel Nuts:** 11124 (105 & 106)

**Repair Kit:**

(Relieving) 11513

(Relieving-1006) 11959;

(Non-Relieving) 11515

(Non-Relieving-1007) 11958

**Bracket:** 11122 (105 & 106); 11543 (104)

**Constant Bleed Fitting:** (1/4") 13557



Relieving

## Accessories & Kits (111-3000)

**Repair Kit:**

(Relieving) 13532

(Non-Relieving) 13583

## Ordering Information

### 111-3000-1UL

Pressure Range		Options	
10-130 Relieving	00	Adjustment Knob	K
5-60 Relieving	02		

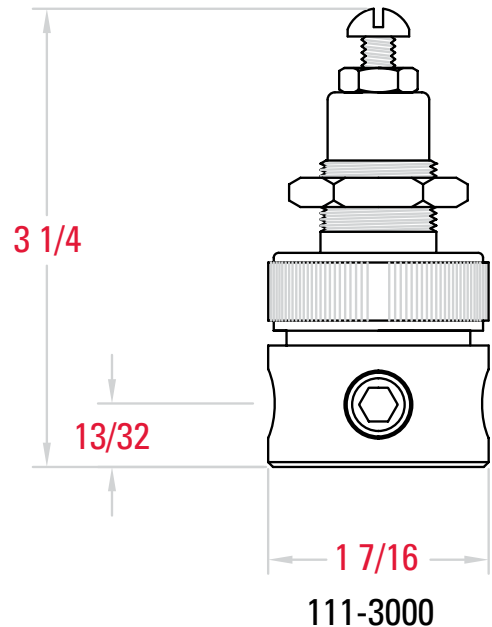
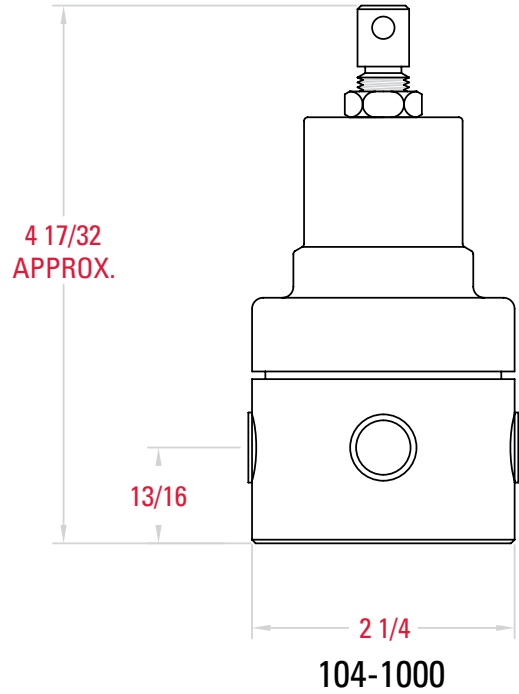
  

Pipe Size	
1/8"	1
1/4"	2

### 104-1000-2UL

Pressure Range		Pipe Size	
10-130 Relieving	0	1/4"	2
5-60 Relieving	2	3/8"	3
		1/2"	4

## Dimensions





# REGULATORS: 104-3101 Relief Valves



## Features

- Available in 1/8" through 1/4" NPT
- Prevent over pressurization of downstream components

## Operating Specifications

**Gauge Ports:** 1/8" NPT  
**Maximum Inlet Pressure:** 250 PSIG  
**Temperature Range:** 0-175°F

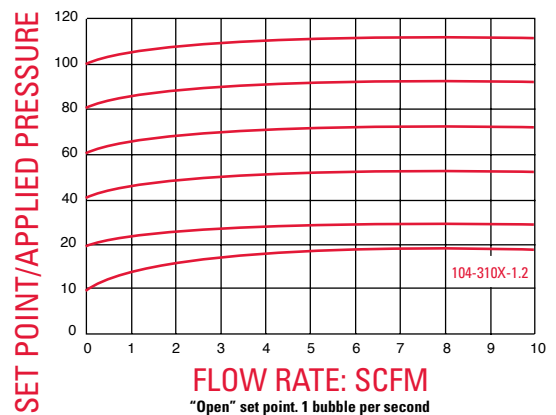
## Accessories & Kits

**Panel Nuts:**  
 13133 (104-3100 Series)  
 13025 (114/106-3100 Series)  
**Bracket Kits:**  
 13536 (104-3100 Series)  
 13534 (114/106-3100 Series)  
**Service Kits:**  
 13532 (Relieving)

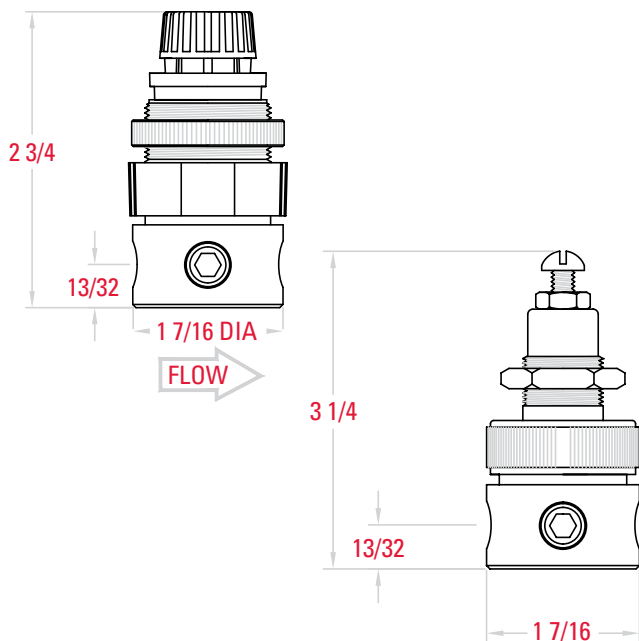
## Materials of Construction

**Body, Seat:** Machined Aluminum  
**Bonnet:**  
 104-3100: Polycarbonate  
 114/106-3100: Aluminum  
**Adjustment Screw:**  
 101-3000: Black Oxide Coated Steel  
 111/102-3000: Zinc Plated Steel (102 series)  
**Diaphragm:** Brass, Buna-N (Fluorocarbon available)  
**Seals:** Buna-N (Fluorocarbon available)  
**Bracket:** Zinc Plated Steel  
**Panel Nut:** Machined Aluminum

## Flow Characteristics



## Dimensions



## Ordering Information

# 104-3101-2

		OPTIONS	
		<b>Anodizing</b>	
		No Anodizing	Blank
		Blue	A1
		Black	A2
		Clear	A3
		Green	A4
		Red	A5
		Yellow	A6
		Gold	A7
		Purple	A8
		<b>Seals</b>	
		Buna-N (standard)	Blank
		Fluorocarbon	V
		<b>Pipe Size</b>	
		1/8"	1
		1/4"	2
<b>Bonnet</b>			
Plastic Bonnet	04		
Aluminum Bonnet (Panel Mounting)	06		
Aluminum Bonnet (Pipe Mounting)	14		
<b>Gauge Ports</b>			
Yes	0		
No	1		
<b>Pressure Range</b>			
10-130	1		
5-60	3		
3-30	5		
20-250	7		
1-10	9		



# Lubricators

Many pneumatic components require oil lubrication for proper operation and long service life. The proper use of a lubricator can greatly extend the life of expensive downstream pneumatic machinery. Monnier lubricators are used to maintain the proper ratio of oil and air in order to maximize the performance of pneumatic machinery.

Monnier lubricators are available in pipe sizes between 1/8 and 1 1/2" NPT and bowls between 1 and 32 ounces.

## Optional Components

**Tamperproof Capability:** Each Monnier lubricator is supplied with a 3/16" diameter ball that may be pressed into the top of the sight dome adjustment area after the oil rate is set. This prevents any further adjustment by unauthorized personnel.

**Quick Fill Option:** A quick fill fitting may replace the fill plug to allow the user to pump lubricant into the bowl.

**Anodizing:** Units can be anodized any of 8 colors (Colors available: blue, black, clear, green, red, yellow, gold and purple).

**Mounting Holes:** Mounting holes are options that can be incorporated into any of the lubricators.

**Bowl Options:** Polycarbonate bowls, aluminum bowls, sight levels, and bowl guards are available depending on the product family.

**Knurled Adjustment Knob:** To add a knurled adjustment knob on any lubricator, change the seventh number from "0" to "2".

Ex: 304-1002-2.

## Specifications

### Maximum Pressure:

Polycarbonate Bowls: 150 PSI

Metal Bowls: 250 PSI

### Maximum Temperature:

Polycarbonate Bowls: 120°F

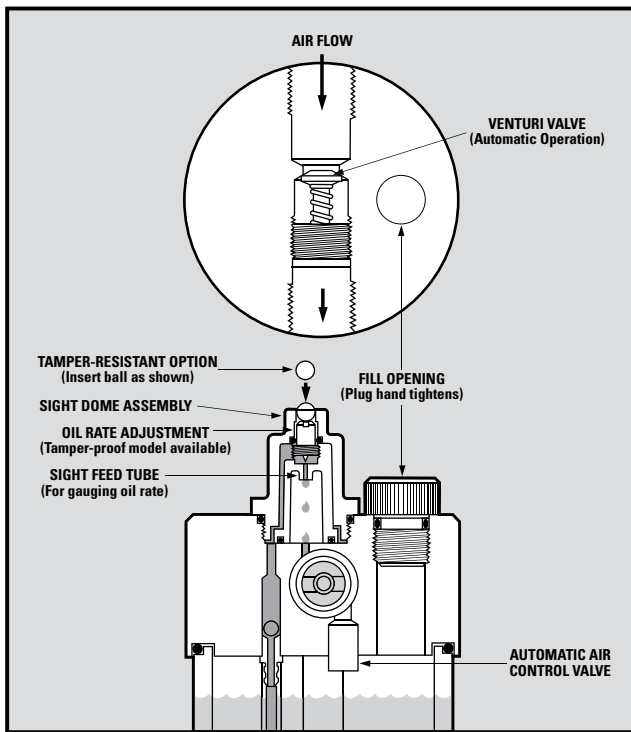
Metal Bowls: 200°F

### Pipe Size:

1/8"-1-1/2" NPT

# TABLE OF CONTENTS

<b>3000 Miniature Series</b>	1/8 & 1/4	42
<b>2000 Compact Series</b>	1/4, 3/8 & 1/2	43
<b>305-1000 Standard Series</b>	1/4, 3/8 & 1/2	44
<b>304-1000 Standard Series</b>	1/4, 3/8 & 1/2	45
<b>304-4000 Large Capacity Series</b>	1/4, 3/8 & 1/2	46
<b>303-5000 Large Capacity Series</b>	3/4 & 1	47
<b>303-4000 Large Capacity Series</b>	3/4, 1, 1 1/4 & 1 1/2	48



## Caution

Bowl guards are recommended on all polycarbonate bowl filters! All bowl guards are made of heavy-duty stainless steel.

## Warning

Polycarbonate bowls can be damaged and may fail if they are exposed to or come in contact with solvents, strong alkalis, fire resistant and/or synthetic compressor lubricants.

**WARRANTY:** Monnier, Inc. warrants each product against defects in material and workmanship for a period of one year from the date of manufacture providing its use was in accordance with Monnier, Inc. recommendations. If the product fails to perform as warranted, Monnier, Inc. will, at its option, repair or replace the product free of charge. The company will not be liable for incidental or consequential damages. We make no other warranty, expressed or implied, including warranties of merchantability or fitness for a particular purpose.

# LUBRICATORS: 305-3000 Miniature Series



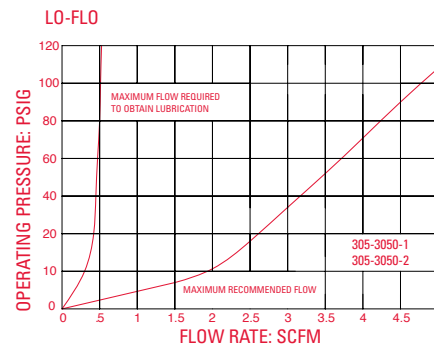
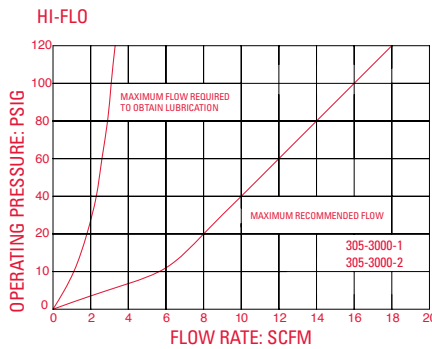
## Features

- Standard and low flow options available
- Stainless steel ball supplied with every lubricator to provide tamperproof capability
- Polycarbonate bowl or metal bowls available
- Bowl guard available with polycarbonate bowl

## Operating Specifications

- Bowl Capacity:** 1 oz.  
**Maximum Pressure Ratings:**  
 - Metal Bowl: 250 PSI  
 - Polycarbonate Bowl: 150 PSI  
**Temperature Ratings:**  
 - Metal Bowl: 0-200°F  
 - Polycarbonate Bowl: 0-120°F  
**Weight:** 136 g

## Flow Characteristics



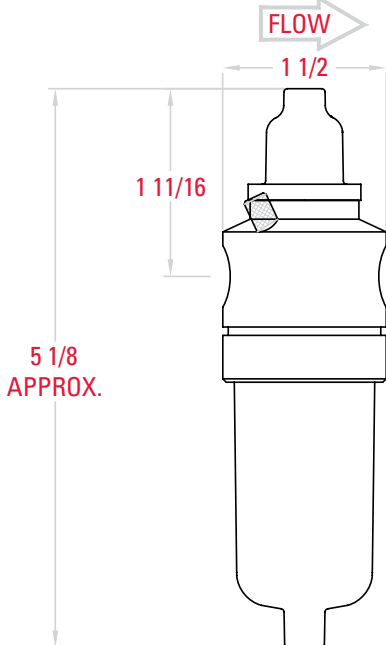
## Materials of Construction

- Lubricator Head:** Machined Aluminum  
**Bowl:** Polycarbonate or Machined Aluminum  
**Capacity Valve:** Acetal  
**Capacity Valve Spring:** Stainless Steel  
**Retainer:** Zinc Dichromate Plated Steel  
**Adaptor Tube:** Brass  
**Stem Relief Tube:** Brass  
**Tamperproof Ball:** Stainless Steel  
**Sight Dome:** Polycarbonate or Trogamid  
**Oil Pick-Up Tube:** Polyethylene  
**Bowl Guard:** Stainless Steel  
**Oil Fill Plug:** Machined Aluminum  
**Seals:** Buna-N (Fluorocarbon Available)

## Accessories & Kits

- Bowl Kits:** Polycarbonate: 33509  
 Metal: 33540  
**Sight Dome Kit:** 31535 (Polycarbonate)  
 31537 (Trogamid)

## Dimensions



## Ordering Information

# 305-3000-1

Bowl Type	
Polycarbonate	0
Polycarbonate w/ Bowl Guard	1
Metal	2

Flow	
Standard	0
Low-Flow	5

Adjustment	
Slotted Screw	0
Knurled Knob	2

Pipe Size	
1/8"	1
1/4"	2

## OPTIONS

Anodizing	
No Anodizing	Blank
Blue	A1
Black	A2
Clear	A3
Green	A4
Red	A5
Yellow	A6
Gold	A7
Purple	A8

Drain	
Manual	MD

Seals	
Buna-N	Blank
Fluorocarbon	V

Mounting Hole	
Two 1/4-20 mounting holes on top surface	MH
1/4 NPT mounting hole on side	MS

Sight Level and Dome	
Polycarbonate	Blank
Trogamid	T

# LUBRICATORS: 304-2000 Compact Series



## Features

- Automatic air control valve allows lubricator to be filled while in operation
- Compact size with five ounce bowl
- Stainless steel ball supplied with every lubricator to make any slotted screw adjusting lubricator tamperproof
- Quick fill option via a "Q" fitting in the lubricator head or base of the bowl
- Polycarbonate bowl or metal bowl available
- Bowl guard available with polycarbonate bowl
- Sight level available with metal bowl
- Tie-rod construction

## Operating Specifications

- Bowl Capacity:** 5 oz.
- Maximum Pressure Ratings:**
- Metal Bowl: 250 PSI
  - Polycarbonate Bowl: 150 PSI
- Temperature Ratings:**
- Metal Bowl: 0-200°F
  - Polycarbonate Bowl: 0-120°F

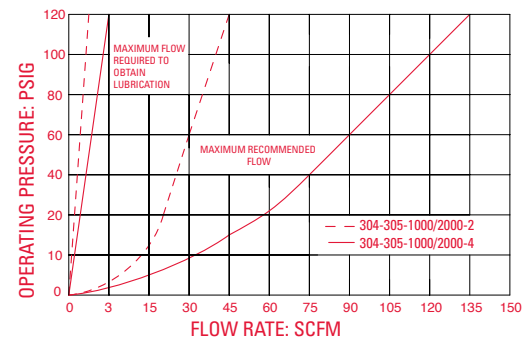
## Accessories & Kits

- Bowl Kits:**
- Polycarbonate: 22520
  - Metal: 22537
  - Metal with Sight Level: 22521 (Polycarbonate) or 22521 (Trogamid)
- Sight Dome:**
- 31535 (Polycarbonate) or 31537 (Trogamid)

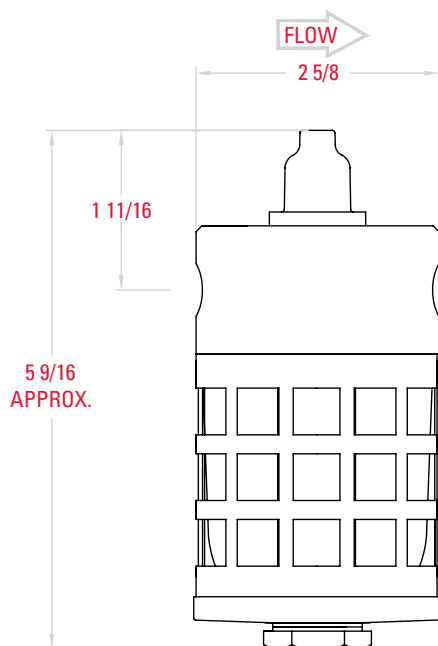
## Materials of Construction

- Lubricator Head:** Machined Aluminum
- Bowl:** Polycarbonate or Machined Aluminum
- Capacity Valve:** Acetal
- Spring:** Stainless Steel
- Oil Adaptor:** Brass
- Ferrule:** Machined Aluminum
- Seals:** Buna-N (Fluorocarbon Available)
- Tamperproof Ball:** Stainless Steel
- Sight Level and Sight Dome:** Polycarbonate or Trogamid
- Oil Pick-Up Tube:** Polyethylene
- Bowl Guard:** Stainless Steel
- Oil Fill Plug:** Machined Aluminum

## Flow Characteristics



## Dimensions



## Ordering Information

# 304-2000-4

Bowl Type	
Polycarbonate	0
Polycarbonate w/ Bowl Guard	1
Metal	2
Metal w/Sight Level	3

Adjustment	
Slotted Screw	0
Knurled Knob	2

Pipe Size	
1/4"	2
3/8"	3
1/2"	4

## OPTIONS

Anodizing	
No Anodizing	Blank
Blue	A1
Black	A2
Clear	A3
Green	A4
Red	A5
Yellow	A6
Gold	A7
Purple	A8
Drain	
No Drain	Blank
Twist	MD
Seals	
Buna-N	Blank
Fluorocarbon	V
Mounting Hole	
Two 1/4-20 mounting holes on top surface	MH
1/4 NPT mounting hole on side	MS
Sight Level and Dome	
Polycarbonate	Blank
Trogamid	T
Fill/Drain Options	
Q Fitting on Head	QT
Q Fitting on Base of Bowl	QB

# LUBRICATORS: 305-1000 Standard Series



## Features

- Automatic air control valve allows lubricator to be filled while in operation
- Threaded bowl for ease of maintenance
- Quick fill option via a "Q" fitting in the lubricator head
- Stainless steel ball supplied with every lubricator to make any slotted screw adjusting lubricator tamperproof
- Polycarbonate or metal bowl available
- Bowl guard available with polycarbonate bowl
- Sight level available with metal bowl

## Operating Specifications

- Bowl Capacity:** 8 oz.  
**Maximum Pressure Ratings:**  
 - Metal Bowl: 250 PSI  
 - Polycarbonate Bowl: 150 PSI  
**Temperature Ratings:**  
 - Metal Bowl: 0-200°F  
 - Polycarbonate Bowl: 0-120°F

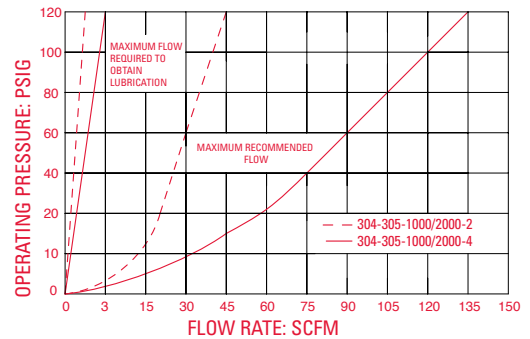
## Accessories & Kits

- Bowl Kits:**  
 Polycarbonate: 31046  
 Metal: 31047  
 Metal w/Sight Levels:  
 31317 (Polycarbonate) or 31317 (Trogamid)  
**Sight Dome Kit:**  
 31535 (Polycarbonate) 31537 (Trogamid)

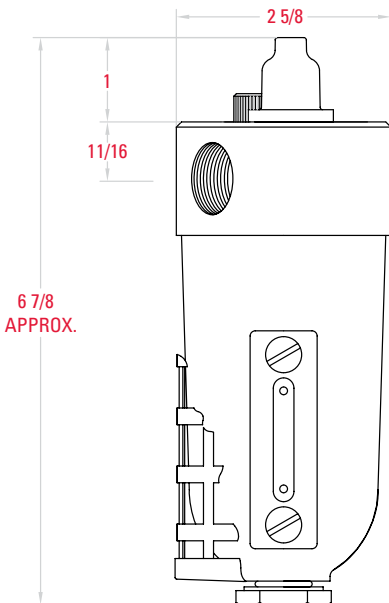
## Materials of Construction

- Lubricator Head:** Machined Aluminum  
**Bowl:** Polycarbonate or Machined Aluminum  
**Capacity Valve:** Acetal  
**Spring:** Stainless Steel  
**Oil Adaptor:** Brass  
**Ferrule:** Machined Aluminum  
**Tamperproof Ball:** Stainless Steel  
**Sight Levels and Sight Dome:** Polycarbonate or Trogamid  
**Oil Pick-Up Tube:** Polyethylene  
**Bowl Guard:** Stainless Steel  
**Oil Fill Plug:** Machined Aluminum  
**Seals:** Buna-N (Fluorocarbon Available)

## Flow Characteristics



## Dimensions



## Ordering Information

# 305-1000-4

Bowl Type	
Polycarbonate	0
Polycarbonate w/ Bowl Guard	1
Metal	2
Metal w/Sight Level	3

Adjustment	
Slotted Screw	0
Knurled Knob	2

Pipe Size	
1/4"	2
3/8"	3
1/2"	4

## OPTIONS

Anodizing	
No Anodizing	Blank
Blue	A1
Black	A2
Clear	A3
Green	A4
Red	A5
Yellow	A6
Gold	A7
Purple	A8
Drain	
No Drain	Blank
Seals	
Buna-N	Blank
Fluorocarbon	V
Mounting Hole	
Two 1/4-20 mounting holes on top surface	MH
1/4 NPT mounting hole on side	MS
Sight Level and Dome	
Polycarbonate	Blank
Trogamid	T
Fill/Drain Options	
Q Fitting on Head	QT

# LUBRICATORS: 304-1000 Standard Series



## Features

- Automatic air control valve allows lubricator to be filled while in operation
- Stainless steel ball supplied with every lubricator to make any slotted screw adjusting lubricator tamperproof
- Quick fill option via a "Q" fitting in the lubricator head or base of the bowl
- Polycarbonate bowl or metal bowl available
- Bowl guard available with polycarbonate bowl
- Sight level available with metal bowl
- Tie-rod construction

## Operating Specifications

- Bowl Capacity:** 8 oz.  
**Maximum Pressure Ratings:**  
 - Metal Bowl: 250 PSI  
 - Polycarbonate Bowl: 150 PSI  
**Temperature Ratings:**  
 - Metal Bowl: 0-200°F  
 - Polycarbonate Bowl: 0-120°F

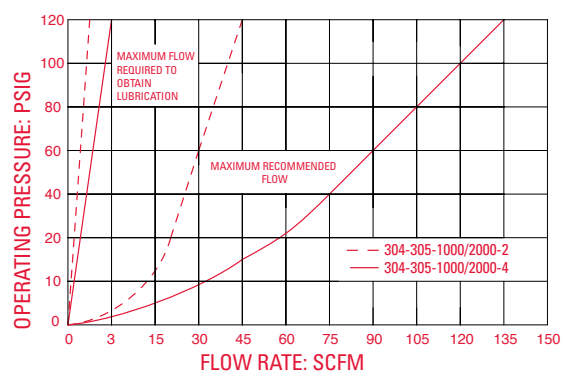
## Accessories & Kits

- Bowl Kits:**  
 Polycarbonate: 21557  
 Metal: 21558  
 Metal with Sight Level:  
 21559 (Polycarbonate) or 21559 (Trogamid)  
**Sight Dome:**  
 31535 (Polycarbonate) or 31537 (Trogamid)

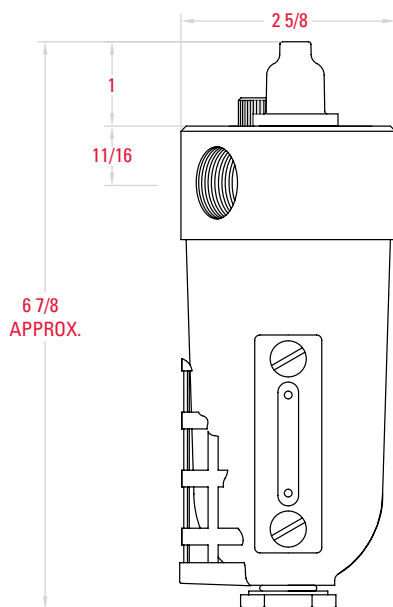
## Materials of Construction

- Lubricator Head:** Machined Aluminum  
**Bowl:** Polycarbonate or Machined Aluminum  
**Capacity Valve:** Acetal  
**Spring:** Stainless Steel  
**Oil Adaptor:** Brass  
**Ferrule:** Machined Aluminum  
**Seals:** Buna-N (Fluorocarbon Available)  
**Tamperproof Ball:** Stainless Steel  
**Sight Level and Sight Dome:** Polycarbonate or Trogamid  
**Oil Pick-Up Tube:** Polyethylene  
**Bowl Guard:** Stainless Steel  
**Oil Fill Plug:** Machined Aluminum

## Flow Characteristics



## Dimensions



## Ordering Information

# 304-1000-4

Bowl Type	
Polycarbonate	0
Polycarbonate w/ Bowl Guard	1
Metal	2
Metal w/Sight Level	3

Adjustment	
Slotted Screw	0
Knurled Knob	2

Pipe Size	
1/4"	2
3/8"	3
1/2"	4

## OPTIONS

Anodizing	
No Anodizing	Blank
Blue	A1
Black	A2
Clear	A3
Green	A4
Red	A5
Yellow	A6
Gold	A7
Purple	A8
Drain	
No Drain	Blank
Twist	MD
Seals	
Buna-N	Blank
Fluorocarbon	V
Mounting Hole	
Two 1/4-20 mounting holes on top surface	MH
1/4 NPT mounting hole on side	MS
Sight Level and Dome	
Polycarbonate	Blank
Trogamid	T
Fill/Drain Options	
Q Fitting on Head	QT
Q Fitting on Base of Bowl	QB



# LUBRICATORS: 304-4000 Large Capacity Series



## Features

- Automatic air control valve allows lubricator to be filled while in operation
- High flow capability with extended bowl
- Stainless steel ball supplied with every lubricator to make any slotted screw adjusting lubricator tamperproof
- Quick fill option via a "Q" fitting in the lubricator head or base of the bowl
- Polycarbonate bowl or metal bowl available
- Bowl guard available with polycarbonate bowl
- Sight level available with metal bowl
- Tie-rod construction

## Operating Specifications

- Bowl Capacity:** 32 oz.  
**Maximum Pressure Ratings:**  
 - Metal Bowl: 250 PSI  
 - Polycarbonate Bowl: 150 PSI  
**Temperature Ratings:**  
 - Metal Bowl: 0-200°F  
 - Polycarbonate Bowl: 0-120°F

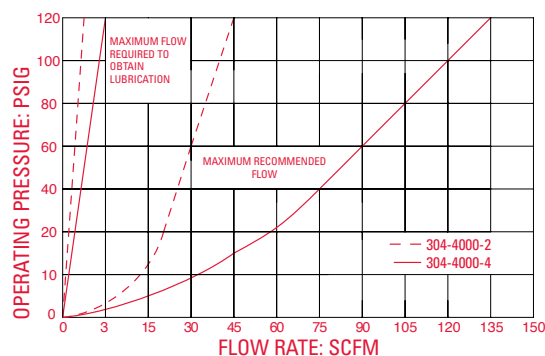
## Accessories & Kits

- Bowl Kits:**  
 Polycarbonate: 24555  
 Metal: 24558  
 Metal with Sight Level:  
 24559 (Polycarbonate) or 24559 (Trogamid)  
**Sight Dome:**  
 31535 (Polycarbonate) or 31537 (Trogamid)

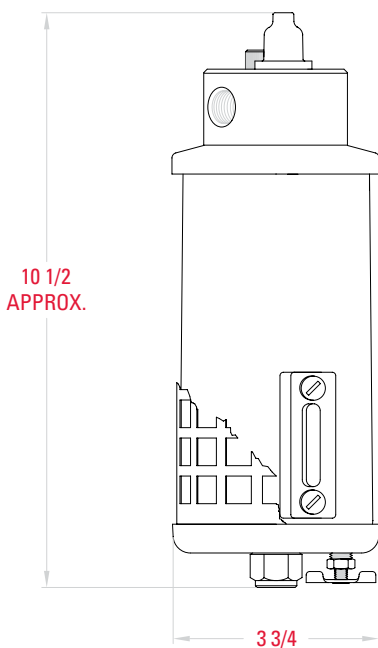
## Materials of Construction

- Lubricator Head:** Machined Aluminum  
**Bowl:** Polycarbonate or Machined Aluminum  
**Capacity Valve:** Acetal  
**Spring:** Stainless Steel  
**Oil Adaptor:** Brass  
**Ferrule:** Machined Aluminum  
**Seals:** Buna-N (Fluorocarbon Available)  
**Tamperproof Ball:** Stainless Steel  
**Sight Level and Sight Dome:** Polycarbonate or Trogamid  
**Oil Pick-Up Tube:** Polyethylene  
**Bowl Guard:** Stainless Steel  
**Oil Fill Plug:** Machined Aluminum

## Flow Characteristics



## Dimensions



## Ordering Information

# 304-4000-4

Bowl Type	
Polycarbonate	0
Polycarbonate w/ Bowl Guard	1
Metal	2
Metal w/Sight Level	3

Adjustment	
Slotted Screw	0
Knurled Knob	2

Pipe Size	
1/4"	2
3/8"	3
1/2"	4

## OPTIONS

Anodizing	
No Anodizing	Blank
Blue	A1
Black	A2
Clear	A3
Green	A4
Red	A5
Yellow	A6
Gold	A7
Purple	A8
Drain	
No Drain	Blank
Twist	MD
Seals	
Buna-N	Blank
Fluorocarbon	V
Mounting Hole	
Two 1/4-20 mounting holes on top surface	MH
1/4 NPT mounting hole on side	MS
Sight Level and Dome	
Polycarbonate	Blank
Trogamid	T
Fill/Drain Options	
Q Fitting on Head	QT
Q Fitting on Base of Bowl	QB

# LUBRICATORS: 303-5000 Large Capacity Series



## Features

- Automatic air control valve allows lubricator to be filled while in operation
- High flow capability with extended bowl
- Stainless steel ball supplied with every lubricator to make any slotted screw adjusting lubricator tamperproof
- Quick fill option via a "Q" fitting in the lubricator head or base of the bowl
- Polycarbonate bowl or metal bowl available
- Bowl guard available with polycarbonate bowl
- Sight level available with metal bowl
- Tie-rod construction

## Operating Specifications

- Bowl Capacity:** 21 oz.  
**Maximum Pressure Ratings:**  
 - Metal Bowl: 250 PSI  
 - Polycarbonate Bowl: 150 PSI  
**Temperature Ratings:**  
 - Metal Bowl: 0-200°F  
 - Polycarbonate Bowl: 0-120°F

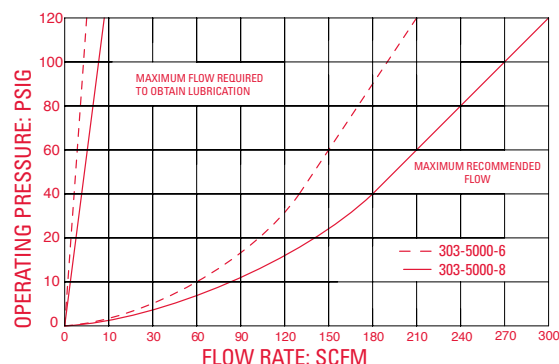
## Accessories & Kits

- Bowl Kits:**  
 Polycarbonate: 25557 - Metal: 25558  
 Metal with Sight Level: 25559 (Polycarbonate) or 25559 (Trogamid)  
**Seal Kit:** 24560  
**Sight Dome:**  
 31535 (Polycarbonate) or 31537 (Trogamid)

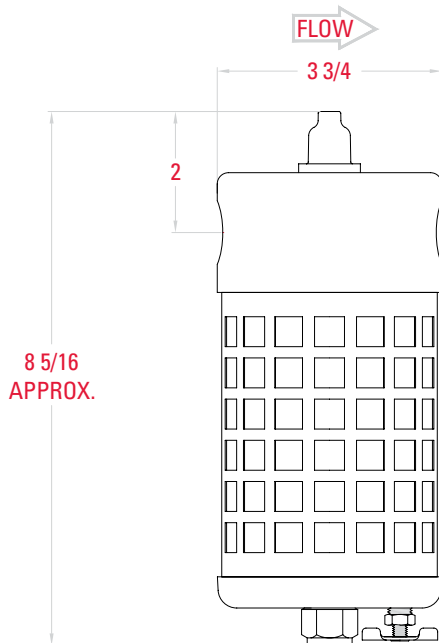
## Materials of Construction

- Lubricator Head:** Machined Aluminum  
**Bowl:** Polycarbonate or Machined Aluminum  
**Bowl Guard:** Stainless Steel  
**Capacity Valve:** Acetal  
**Cap Valve Spring:** Bronze  
**Cap Valve Core:** Brass  
**Check Valve Ball:** Chrome Plated Steel  
**Ferrule:** Machined Aluminum  
**Spring Pin:** Steel  
**Tamperproof Ball:** Stainless Steel  
**Sight Level and Sight Dome:** Polycarbonate or Trogamid  
**Oil Pick-Up Tube:** Polyethylene  
**Oil Fill Plug:** Machined Aluminum  
**Seals:** Buna-N (Fluorocarbon Available)

## Flow Characteristics



## Dimensions



## Ordering Information

# 303-5000-6

Bowl Type	
Polycarbonate	0
Polycarbonate w/ Bowl Guard	1
Metal	2
Metal w/Sight Level	3

Adjustment	
Slotted Screw	0
Knurled Knob	2

Pipe Size	
3/4"	6
1"	8

## OPTIONS

Anodizing	
No Anodizing	Blank
Blue	A1
Black	A2
Clear	A3
Green	A4
Red	A5
Yellow	A6
Gold	A7
Purple	A8
Drain	
No Drain	Blank
Twist	MD
Seals	
Buna-N	Blank
Fluorocarbon	V
Mounting Hole	
Two 1/4-20 mounting holes on top surface	MH
1/4 NPT mounting hole on side	MS
Sight Level and Dome	
Polycarbonate	Blank
Trogamid	T
Fill/Drain Options	
Q Fitting on Head	QT
Q Fitting on Base of Bowl	QB

# LUBRICATORS: 303-4000 Large Capacity Series



## Features

- Automatic air control valve allows lubricator to be filled while in operation
- High flow capability with 32 oz. bowl
- Stainless steel ball supplied with every lubricator to make any slotted screw adjusting lubricator tamperproof
- Quick fill option via a "Q" fitting in the lubricator head or base of the bowl
- Polycarbonate bowl or metal bowl available
- Bowl guard available with polycarbonate bowl
- Sight level available with metal bowl
- Tie-rod construction

## Operating Specifications

- Bowl Capacity:** 32oz.  
**Maximum Pressure Ratings:**  
 - Metal Bowl: 250 PSI  
 - Polycarbonate Bowl: 150 PSI  
**Temperature Ratings:**  
 - Metal Bowl: 0-200°F  
 - Polycarbonate Bowl: 0-120°F

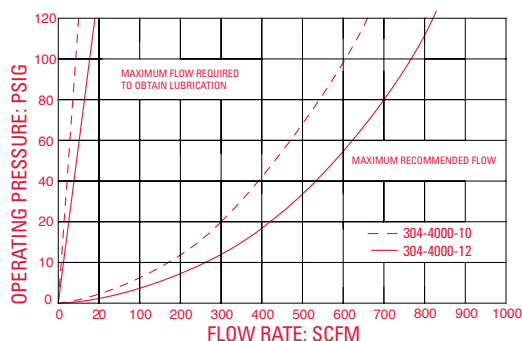
## Accessories & Kits

- Bowl Kits:**  
 - Polycarbonate: 24557 - Metal: 24558  
 - Metal with Sight Level: 24559 (Polycarbonate) or 24559 (Trogamid)  
**Seal Kit:** 24560  
**Sight Dome:** 31535 (Polycarbonate) or 31537 (Trogamid)

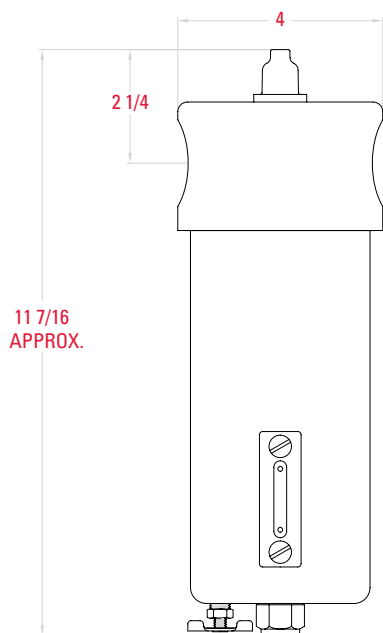
## Materials of Construction

- Lubricator Head:** Machined Aluminum  
**Bowl:** Polycarbonate or Machined Aluminum  
**Capacity Valve:** Acetal  
**Cap Valve Spring:** Bronze  
**Cap Valve Core:** Brass  
**Ferrule:** Machined Aluminum  
**Spring Pin:** Zinc Plated Steel  
**Tamperproof Ball:** Stainless Steel  
**Sight Levels and Sight Dome:** Polycarbonate or Trogamid  
**Oil Pick-Up Tube:** Polyethylene  
**Bowl Guard:** Stainless Steel  
**Oil Fill Plug:** Machined Aluminum  
**Seals:** Buna-N (Fluorocarbon Available)

## Flow Characteristics



## Dimensions



## Ordering Information

# 303-4000-6

Bowl Type	
Polycarbonate	0
Polycarbonate w/ Bowl Guard	1
Metal	2
Metal w/Sight Level	3

Adjustment	
Slotted Screw	0
Knurled Knob	2

Pipe Size	
3/4"	6
1"	8
1 1/4"	10
1 1/2"	12

## OPTIONS

Anodizing	
No Anodizing	Blank
Blue	A1
Black	A2
Clear	A3
Green	A4
Red	A5
Yellow	A6
Gold	A7
Purple	A8
Drain	
No Drain	Blank
Twist	MD
Seals	
Buna-N	Blank
Fluorocarbon	V
Mounting Hole	
Two 1/4-20 mounting holes on top surface	MH
1/4 NPT mounting hole on side	MS
Sight Level and Dome	
Polycarbonate	Blank
Trogamid	T
Fill/Drain Options	
Q Fitting on Head	QT
Q Fitting on Base of Bowl	QB



# Filter/Regulators

## Optional Components

**Drains:** Manual drains are standard. Impulse drains ("D") or float drains ("F") available, depending on product family.

**Anodizing:** Units can be anodized any of eight colors. (Colors available: blue, black, clear, green, red, yellow, gold and purple).

**Pipe Size:** 1/8" - 1/2" NPT

**Bowl Options:** Polycarbonate bowls, aluminum bowls, sight levels and bowl guards available depending on the product family.

## Dense Pack Element Design

Our unique element design provides multiple points of impaction throughout the cross section of the element. This guarantees that the maximum amount of particulate is captured while also ensuring minimal pressure drop over the long life of the element.

Monnier filter/regulators are available in a variety of sizes and are designed to reduce the footprint of the air preparation assembly.

Particulate and coalescing flow paths and elements are available. Care must be taken when selecting the appropriate filter type.

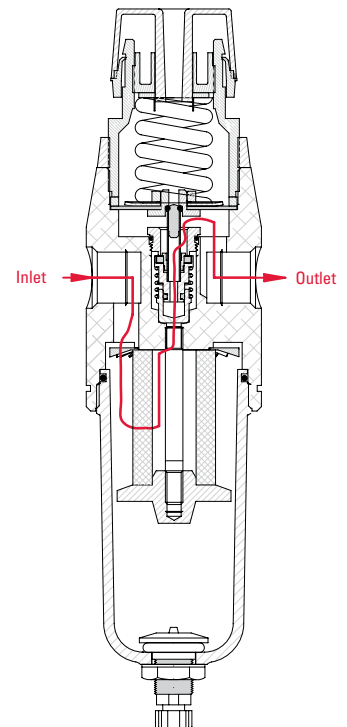
All filter/regulators have the same options as the corresponding individual filters and regulators.

## Specifications

**Maximum Pressure:** Polycarbonate Bowls: 150 PSI  
Metal Bowls: 250 PSI

## TABLE OF CONTENTS

<b>3000 Miniature Series (Particulate)</b>	1/8 & 1/4	50
<b>3009 Miniature Series (Coalescing)</b>	1/8 & 1/4	51
<b>C01-1000/2000 Series (Particulate)</b>	1/4, 3/8 & 1/2	52
<b>C01-1009 Standard Series (Coalescing)</b>	1/4, 3/8 & 1/2	53
<b>B05-1000 Standard Series (Particulate)</b>	1/4, 3/8 & 1/2	54
<b>C05-1000 Standard Series (Particulate)</b>	1/4, 3/8 & 1/2	55
<b>C05-1009 Standard Series (Coalescing)</b>	1/4, 3/8 & 1/2	56



## Caution

Bowl guards are recommended on all polycarbonate bowl filters! All bowl guards are made of heavy-duty stainless steel.

## Warning

Polycarbonate bowls can be damaged and may fail if they are exposed to or come in contact with solvents, strong alkalis, fire resistant and/or synthetic compressor lubricants.

**WARRANTY:** Monnier, Inc. warrants each product against defects in material and workmanship for a period of one year from the date of manufacture providing its use was in accordance with Monnier, Inc. recommendations. If the product fails to perform as warranted, Monnier, Inc. will, at its option, repair or replace the product free of charge. The company will not be liable for incidental or consequential damages. We make no other warranty, expressed or implied, including warranties of merchantability or fitness for a particular purpose.

# FILTER REGULATORS: 3000 Miniature Series (Particulate)



## Features

- Filter and regulator consolidated into one assembly
- Reduces footprint of air prep assembly
- Polycarbonate or aluminum bonnets available
- Polycarbonate or aluminum bowls available
- Manual or impulse drains available
- Preset and tamperproof options

## Operating Specifications

- Bowl Capacity:** 1 oz.  
**Maximum Pressure Ratings:**  
 - Metal Bowl: 250 PSI  
 - Polycarbonate Bowl: 150 PSI  
**Temperature Ratings:**  
 - Metal Bowl: 0-200°F  
 - Polycarbonate Bowl: 0-120°F

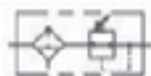
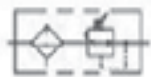
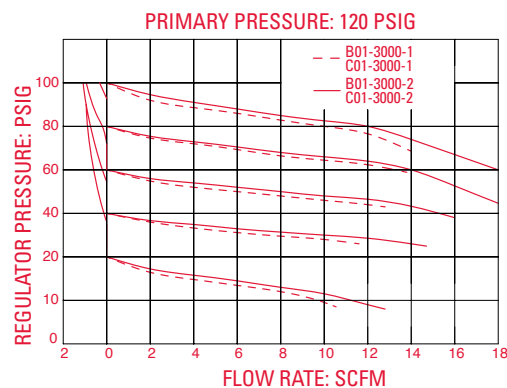
## Materials of Construction

- Body:** Machined Aluminum  
**Bonnet:** Aluminum or Polycarbonate  
**Bowl:** Polycarbonate or Machined Aluminum  
**Seat:** Nylon **Poppet Spring:** Stainless Steel  
**Whirl Disc:** Aluminum  
**Element (20 and 10 Micron):** Phenolic Impregnated Cellulose  
**Element (5 Micron):** Polypropylene  
**Element Retainer:** Celanese  
**Poppet Valve:** Buna-N (Fluorocarbon Available)  
**Seat:** Nylon **Locking Nut:** Zinc Plated Steel  
**Compression Spring:** Spring Steel  
**Adjustment Screw:** Zinc Plated Steel  
**Diaphragm Assembly:** Steel, Brass, Buna-N (Fluorocarbon available)  
**Drain:** • Manual: Brass and Plated Steel  
 • Impulse: Machined Aluminum, Zinc Plated Steel, and Buna-N (Fluorocarbon Available)

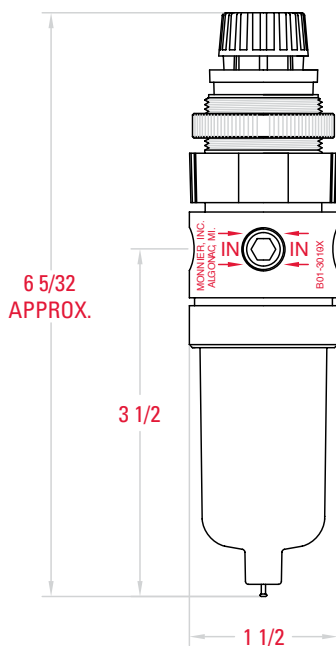
## Accessories & Kits

- Elements:** 20 Micron: 23004 - 10 Micron: 23025  
 - 5 Micron: 23040  
**Regulator Repair Kits:**  
 - Relieving: 13532 - Non-Relieving: 13533  
**Bowl Kit w/ Manual Drain:**  
 - Polycarbonate: 23520 - Aluminum: 23533  
**Bowl Kit w/ Impulse Drain:**  
 - Polycarbonate: 23521 - Aluminum: 23534  
**Bracket Kit:** - Polycarbonate Bonnet: 13536  
 - Aluminum Bonnet: 13534  
**Mounting Nut Only:** - Polycarbonate Bonnet: 13133  
 - Aluminum Bonnet: 13025

## Flow Characteristics



## Dimensions



## Ordering Information

# B01-3000-2

Bonnet	
Polycarbonate	B
Alluminum	C

Bowl Type	
Polycarbonate	0
Polycarbonate w/ Bowl Guard	1
Metal	2

Pressure	
10-130 Relieving	0
10-130 Non-Relieving	1
5-60 Relieving	2
5-60 Non-Relieving	3
3-30 Relieving	4
3-30 Non-Relieving	5
20-250 Relieving	6
20-250 Non-Relieving	7
1-10 Relieving	8
1-10 Non-Relieving	9

Elements	
20 Micron	0
10 Micron	1
5 Micron	2

Pipe Size	
1/8"	1
1/4"	2

### OPTIONS

Anodizing	
No Anodizing	Blank
Blue	A1
Black	A2
Clear	A3
Green	A4
Red	A5
Yellow	A6
Gold	A7
Purple	A8
Drain	
Manual	Blank
Impulse	D
Seals	
Buna-N	Blank
Fluorocarbon	V
Attachment Parts	
Bracket	B
Gauge	G
Knob	K
Tamperproof	
Tamperproof	T
Preset	P
Preset and Tamperproof B01	PT
Preset and Tamperproof C01	PTS

# FILTER REGULATORS: 3009 Miniature Series (Coalescing)



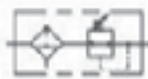
## Features

- Coalescing filter and regulator consolidated into one assembly
- Reduces footprint of air prep assembly
- Polycarbonate or aluminum bonnets available
- Polycarbonate or aluminum bowls available
- Manual or Impulse drains available
- Preset and Tamperproof options
- Gauges available
- Available w/ 0.3 or 0.01 Micron elements
- Body cones green anodized as standard (other colors available)

## Operating Specifications

- Bowl Capacity:** 1 oz.  
**Maximum Pressure Ratings:**  
 - Metal Bowl: 250 PSI  
 - Polycarbonate Bowl: 150 PSI  
**Temperature Ratings:** - Metal Bowl: 0-200°F  
 - Polycarbonate Bowl: 0-120°F

## Accessories & Kits

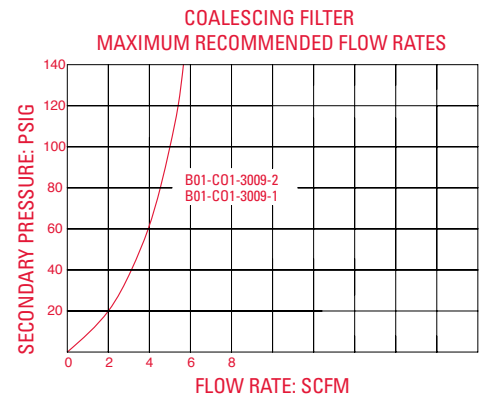


- Elements:** - 0.3 Micron: 23543 - 0.01 Micron: 23592  
**Regulator Repair Kits:**  
 - Relieving: 13532 - Non-Relieving: 13533  
**Bowl Kit w/ Manual Drain:**  
 - Polycarbonate: 23520 - Aluminum: 23533  
**Bowl Kit w/ Impulse Drain:**  
 - Polycarbonate: 23521 - Aluminum: 23534  
**Bracket Kit:** - Polycarbonate Bonnet: 13536  
 - Aluminum Bonnet: 13534  
**Mounting Nut Only:** - Polycarbonate Bonnet: 13133  
 - Aluminum Bonnet: 13025

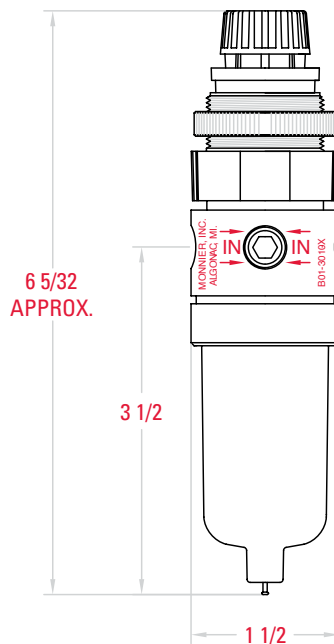
## Materials of Construction

- Body:** Anodized Machined Aluminum  
**Bonnet:** Machined Aluminum or Polycarbonate  
**Spring:** Stainless Steel  
**Diaphragm Gasket:** Stainless Steel  
**Valve Seat:** Brass  
**Poppet Valve:** Buna-N (Fluorocarbon Available)  
**Element (0.3 and 0.01 Micron):** Borosilicate Glass Fiber  
**Element Retainer:** Celanese  
**Element Shield:** Polycarbonate  
**Adaptor Outlet:** Machined Aluminum (Impulse Drain)  
**Seat:** Nylon  
**Piston Spring:** Stainless Steel  
**Valve Seat:** Buna-N (Fluorocarbon Available)  
**Drain:** • Manual: Zinc Plated Brass  
 • Impulse: Machined Aluminum and Zinc Plated Steel

## Flow Characteristics



## Dimensions



## Ordering Information

# B01-3009-2

Bonnet	
Polycarbonate	B
Aluminum	C

Bowl Type	
Polycarbonate	0
Polycarbonate w/ Bowl Guard	1
Metal	2

Pressure	
10-130 Relieving	0
10-130 Non-Relieving	1
5-60 Relieving	2
5-60 Non-Relieving	3
3-30 Relieving	4
3-30 Non-Relieving	5
20-250 Relieving (Aluminum Bonnet Only)	6
20-250 Non-Relieving (Aluminum Bonnet Only)	7
1-10 Relieving	8
1-10 Non-Relieving	9

Elements	
0.3 Micron	9
0.01 Micron	8

Pipe Size	
1/8"	1
1/4"	2

## OPTIONS

Anodizing	
Green	Blank
Blue	A1
Black	A2
Clear	A3
Red	A5
Yellow	A6
Gold	A7
Purple	A8
Drain	
Manual	Blank
Impulse	D
Seals	
Buna-N	Blank
Fluorocarbon	V
Tamperproof	
Tamperproof	T
Preset	P
Preset and Tamperproof B01	PT
Preset and Tamperproof C01	PTS
Attachment Parts	
Bracket	B
Gauge	G
Knob	K



# FILTER REGULATORS: C01-1000/2000 Series



## Features

- Filter and regulator consolidated into one assembly
- Reduces footprint of air prep assembly
- Tie-rod construction for maximum stability
- Polycarbonate or aluminum bowls available
- Manual, float or impulse drains available
- Preset and tamperproof options
- 1000 Series has a greater bowl capacity to accommodate a larger sump area
- 2000 Series has a compact design for applications where space is at a premium

## Operating Specifications

- Bowl Capacity:** 5 oz. or 8 oz.  
**Maximum Pressure Ratings:**  
 - Metal Bowl: 250 PSI  
 - Polycarbonate Bowl: 150 PSI  
**Temperature Ratings:**  
 - Metal Bowl: 0-200°F  
 - Polycarbonate Bowl: 0-120°F

## Accessories & Kits

(2000 Series) 20 Micron: 22205 - 10 Micron: 22033  
 - 3 Micron: 22032

(1000 Series) 20 Micron: 21205 - 10 Micron: 21036  
 - 3 Micron: 21037

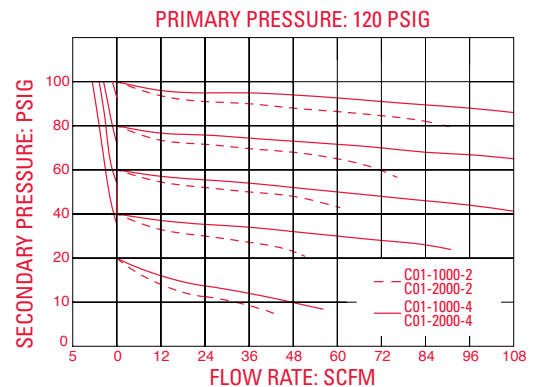
**Regulator Kits:** Relieving: 11531 Relieving (20-250): 11538 Non-Relieving: 11532 Relieving (20-250): 11539

Bowl Kits:	Poly.	Alum.	Alum. w/Sight Level
2000 Series	22520	22537	22521-P OR 22521-T
1000 Series	21557	21558	21559-P OR 21559-T

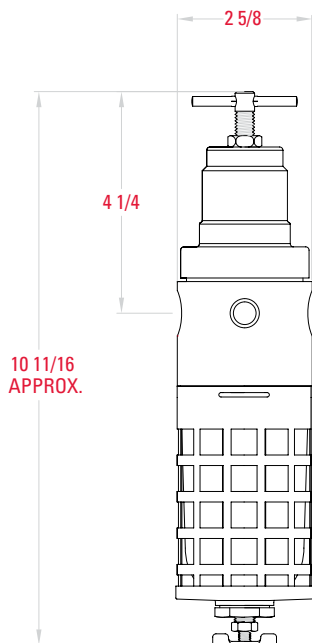
## Materials of Construction

- Body:** Machined Aluminum  
**Bonnet:** Aluminum **Spring Guide:** Zinc Plated Steel  
**Compression Spring:** Spring Steel  
**Diaphragm Gasket:** Stainless Steel **Valve Seat:** Brass  
**Poppet Valve Spring:** Stainless Steel  
**Seals:** Buna-N (Fluorocarbon available)  
**Whirl Disc:** Acetal  
**Element (20, 10, 3 Micron):** Phenolic Impregnated Acrylic Fibers  
**Stud:** Zinc Plated Steel **Baffle Plate:** Acetal  
**Base Nut:** Aluminum  
**Drain:** Brass and Zinc Plated Steel  
**Bowl:** Polycarbonate or Machined Aluminum  
**Bowl Guard:** Stainless Steel  
**Drain:** - Manual: Brass and Plated Steel  
 - Float: Anodized Aluminum w/ Acetal and Stainless Steel Float Mechanism  
 - Impulse: Machined Aluminum, Brass, and Buna-N

## Flow Characteristics



## Dimensions



## Ordering Information

### C01-1000-2

Bowl Size	
5 oz.	2
8 oz.	1

Bowl Type	
Polycarbonate	0
Polycarbonate w/ Bowl Guard	1
Metal	2
Metal w/Sight Level	3

Pressure	
10-130 Relieving	0
10-130 Non-Relieving	1
5-60 Relieving	2
5-60 Non-Relieving	3
3-30 Relieving	4
3-30 Non-Relieving	5
20-250 Relieving	6
20-250 Non-Relieving	7

Elements	
20 Micron	0
10 Micron	1
3 Micron	2

Pipe Size	
1/4"	2
3/8"	3
1/2"	4

### OPTIONS

Anodizing	
No Anodizing	Blank
Blue	A1
Black	A2
Clear	A3
Green	A4
Red	A5
Yellow	A6
Gold	A7
Purple	A8

Drain	
Manual	M
Impulse	D
Float	F

Seals	
Buna-N	Blank
Fluorocarbon	V

Tamperproof	
Tamperproof	T
Preset	P
Preset and Tamperproof	PT

Attachment Parts	
Bracket	B
Gauge	G
Knob	K



# FILTER REGULATORS: C01-1009 Series

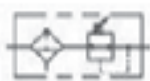


## Features

- Coalescing filter and regulator consolidated into one assembly
- Reduces footprint of air prep assembly
- Polycarbonate or Aluminum Bowls available
- Manual, Float or Impulse drains available
- Preset and Tamperproof options
- Gauges available
- Body comes green anodized as standard (other colors available)
- 0.3 and 0.01 Micron Elements available

## Operating Specifications

- Bowl Capacity:** 8 oz.
- Maximum Pressure Ratings:**
- Metal Bowl: 250 PSI
  - Polycarbonate Bowl: 150 PSI
- Temperature Ratings:**
- Metal Bowl: 0-200°F
  - Polycarbonate Bowl: 0-120°F



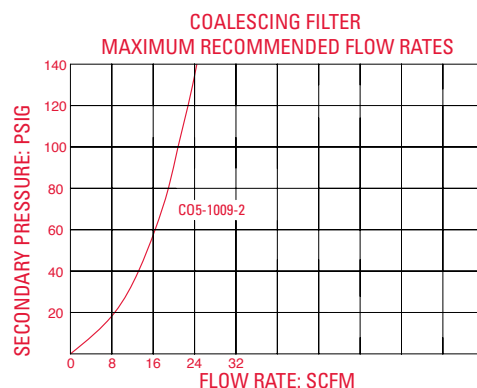
## Accessories & Kits

- Elements:** - 0.3 Micron: 21545 - 0.01 Micron: 21751
- Regulator Repair Kits:**
- Relieving: 11531 Relieving(20-250): 11538
  - Non-Relieving: 11532 Relieving (20-250): 11539
- Bowl Kits:** Polycarbonate Bowl: 21557
- Aluminum Bowl: 21558
- Aluminum Bowl w/ sight level: 21559-P (Polycarbonate) or 21559-T (Trogamid)

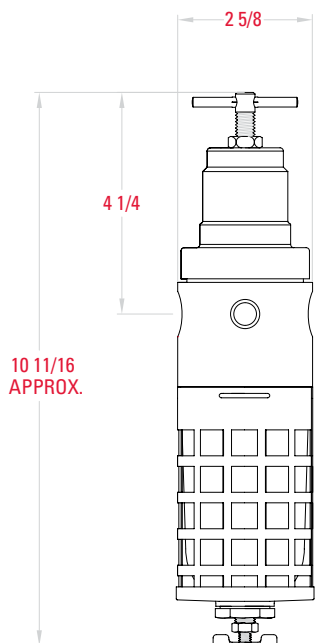
## Materials of Construction

- Body:** Anodized Machined Aluminum
- Bonnet:** Aluminum
- Spring Guide:** Mild Steel
- Compression Spring:** Spring Steel
- Diaphragm Gasket:** Stainless Steel
- Valve Seat:** Brass
- Poppet Valve Spring:** Stainless Steel
- Seals:** Buna-N (Fluorocarbon available)
- Whirl Disc:** Copolymer Acetal
- Element:** Borosilicate glass fibers
- Stud:** Zinc Plated Steel
- Baffle Plate:** Acetal **Base Nut:** Aluminum
- Bowl:** Polycarbonate or Aluminum
- Bowl Guard:** Stainless Steel
- Drain:** - Manual: Brass and Plated Steel
- Float: Anodized Aluminum w/ Acetal and Stainless Steel Float Mechanism
- Impulse: Machined Aluminum, Brass, and Buna-N

## Flow Characteristics



## Dimensions



## Ordering Information

### C01-1009-2

Bowl Type	
Polycarbonate	0
Polycarbonate w/ Bowl Guard	1
Metal	2
Metal w/ Sight Level	3

Pressure	
10-130 Relieving	0
10-130 Non-Relieving	1
5-60 Relieving	2
5-60 Non-Relieving	3
3-30 Relieving	4
3-30 Non-Relieving	5
20-250 Relieving	6
20-250 Non-Relieving	7

Elements	
0.3 Micron	9
0.01 Micron	8

Pipe Size	
1/4"	2
3/8"	3
1/2"	4

### OPTIONS

Anodizing	
Green	Blank
Blue	A1
Black	A2
Clear	A3
Red	A5
Yellow	A6
Gold	A7
Purple	A8
Drain	
Manual	Blank
Impulse (External)	D
Float (External)	F
Seals	
Buna-N	Blank
Fluorocarbon	V
Tamperproof	
Tamperproof	T
Preset	P
Preset and Tamperproof	PT
Attachment Parts	
Bracket	B
Gauge	G
Knob	K

# FILTER REGULATORS: B05-1000 Series



## Features

- Convenient push to lock knob design
- Acetal bonnet and knob
- Mounting nut comes standard
- Diaphragm design for minimal hysteresis and greater responsiveness
- Black anodizing standard (other colors available)
- Machined aluminum body
- Manual, float or impulse drains available
- Aluminum or polycarbonate bowls available
- Can be ordered with gauge

## Operating Specifications

**Bowl Capacity:** 8 oz. **Gauge Ports:** 1/4" NPT  
**Maximum Inlet Pressure:** 250 PSIG  
**Temperature Rating:**  
 Polycarbonate Bowls: 0-120°F  
 Metal Bowls: 0-175°F **Weight:** 2 lbs.

## Accessories & Kits

**Mounting Bracket:** 11430  
**REGULATOR KITS:** 0-50 PSI 0-150 PSI  
**Relieving:** 11472 11470  
**Non-Relieving:** 11473 11471  
**Bowl Kits:** - Polycarbonate Bowl Kit: 21567  
 - Polycarbonate Bowl Kit w/ Float Drain: 21572  
 - Metal Bowl Kit w/ Float Drain: 21582  
**Metal Bowl Kit:** 21580  
**Metal Bowl with Sight Level Kit (Polycarbonate/Trogamid):** 21581-P or 21581-T  
**Metal Bowl with Float Drain and Sight Level Kit (Polycarbonate/Trogamid):** 21583-P or 21583-T

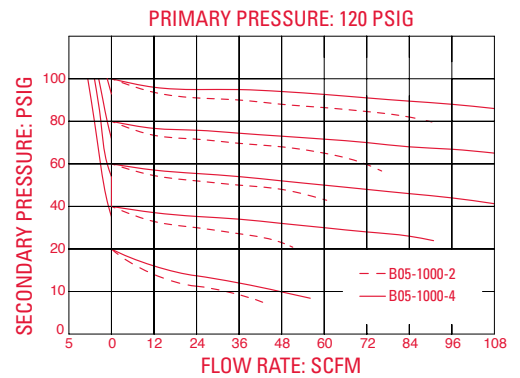
### Elements:

20 Micron: 21205  
 10 Micron: 21036  
 3 Micron: 21037

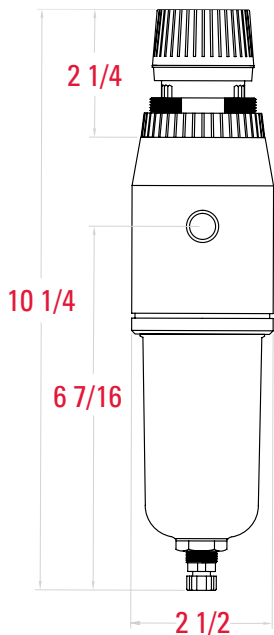
## Materials of Construction

**Body:** Machined Aluminum  
**Bonnet:** Glass Filled Acetal  
**Knob, Adjuster & Mounting Nut:** Acetal  
**Diaphragm Gasket:** Acetal  
**Springs:** Music Wire  
**Spring Guide:** Machined Aluminum  
**Seat:** Brass **Poppet Assembly:** Brass  
**Seals:** Buna-N (Fluorocarbon available)  
**Whirl Disc:** Aluminum  
**Element:** Phenolic Impregnated Acrylic Fiber  
**Stud:** Zinc Plated Steel  
**Drain:** Manual: Plastic  
 Float: Acetal and Stainless Steel  
 Impulse: Machined Aluminum, Brass, and Buna-N (Fluorocarbon Available)  
**Bowl:** Polycarbonate or Aluminum  
**Bowl Guard:** Stainless Steel

## Flow Characteristics



## Dimensions



## Ordering Information

### B05-1000-2

Bowl Type	
Polycarbonate	0
Polycarbonate w/ Guard	1
Metal	2
Metal w/ Sight Level	3

Pressure Range	
0-150 Relieving	0
0-150 Non-Relieving	1
0-50 Relieving	2
0-50 Non-Relieving	3

Elements	
20 Micron	0
10 Micron	1
3 Micron	2

Pipe Size	
1/4	2
3/8	3
1/2	4

### OPTIONS

Anodizing	
Black	Blank
Blue	A1
Clear	A3
Green	A4
Red	A5
Yellow	A6
Gold	A7
Purple	A8
Preset	P
Attachment Parts	
Gauge	G
Bracket	B
Seals	
Buna-N (Standard)	Blank
Fluorocarbon	V
Drain	
Manual	Blank
Float (Internal)	F
Impulse (External)	D

# FILTER REGULATORS: C05-1000 Series



## Features

- Threaded bowl for ease of maintenance
- Polycarbonate or aluminum bowls available
- Filter and regulator consolidated into one assembly
- Reduces footprint of air prep assembly
- Manual, float or impulse drains available
- Preset and tamperproof options

## Operating Specifications

- Bowl Capacity:** 8 oz.
- Maximum Pressure Ratings:**
- Metal Bowl: 250 PSI
  - Polycarbonate Bowl: 150 PSI
- Temperature Ratings:**
- Metal Bowl: 0-200°F
  - Polycarbonate Bowl: 0-120°F

## Accessories & Kits

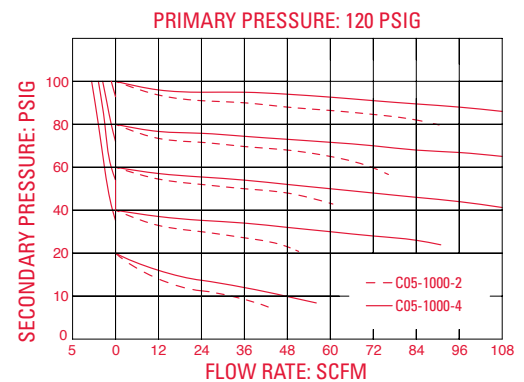
- Elements:** 20 Micron: 21205 - 10 Micron: 21036  
- 3 Micron: 21037
- REGULATOR KITS:**
- |                       |       |            |
|-----------------------|-------|------------|
|                       |       | 20-250 PSI |
| <b>Relieving:</b>     | 11531 | 11538      |
| <b>Non-Relieving:</b> | 11532 | 11539      |
- Bowl Kits:** - Polycarbonate Bowl Kit: 21557  
- Polycarbonate Bowl Kit w/ Float Drain: 21572  
- Metal Bowl Kit w/ Float Drain: 21583
- Metal Bowl Kit:** 21580
- Metal Bowl with Sight Level Kit (Polycarbonate/ Trogamid):** 21581-P or 21581-T
- Metal Bowl with Float Drain and Sight Level Kit (Polycarbonate/ Trogamid):** 21583-P or 21583-T



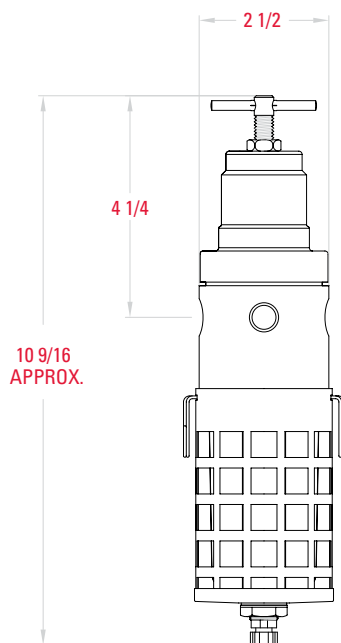
## Materials of Construction

- Body:** Machined Aluminum
- Bonnet:** Machined Aluminum or Polycarbonate
- Spring Guide:** Zinc Plated Steel
- Diaphragm Gasket:** Stainless Steel
- Valve Seat:** Brass
- Poppet Valve Spring:** Stainless Steel
- Seals:** Buna-N (Fluorocarbon available)
- Whirl Disc:** Aluminum
- Element (20, 10, 3 Micron):** Phenolic Impregnated Acrylic Fibers
- Stud:** Zinc Plated Steel
- Drain:** Manual: Plastic  
Float: Acetal and Stainless Steel  
Impulse: Machined Aluminum, Brass, and Buna-N (Fluorocarbon Available)
- Bowl:** Polycarbonate or Aluminum
- Bowl Guard:** Stainless Steel

## Flow Characteristics



## Dimensions



## Ordering Information

### C05-1000-2

Bowl Type	
Polycarbonate	0
Polycarbonate w/ Guard	1
Metal	2
Metal w/ Sight Level	3

Pressure	
10-130 Relieving	0
10-130 Non-Relieving	1
5-60 Relieving	2
5-60 Non-Relieving	3
3-30 Relieving	4
3-30 Non-Relieving	5
20-250 Relieving	6
20-250 Non-Relieving	7

Elements	
20 Micron	0
10 Micron	1
3 Micron	2

Pipe Size	
1/4	2
3/8	3
1/2	4

### OPTIONS

#### Anodizing

Blue	A1
Black	A2
Clear	A3
Green	A4
Red	A5
Yellow	A6
Gold	A7
Purple	A8

#### Attachment Parts

Gauge	G
Bracket	B
Knob	K

#### Seals

Buna-N (Standard)	Blank
Fluorocarbon	V

#### Drain

Manual	Blank
Float (Internal)	F
Impulse (External)	D

#### Tamperproof

Tamperproof	T
Preset	P
Preset and Tamperproof	PT

# FILTER REGULATORS: C05-1009 Series



## Features

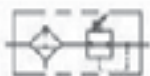
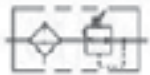
- Coalescing filter and regulator consolidated into one assembly
- Reduces footprint of air prep assembly
- Polycarbonate or aluminum bowls available
- Manual, float or impulse drains available
- Preset and tamperproof options
- Gauges available
- 0.3 and 0.01 Micron elements available
- Green anodized body standard, other colors available

## Operating Specifications

- Bowl Capacity:** 8 oz.  
**Maximum Pressure Ratings:**  
 - Metal Bowl: 250 PSI  
 - Polycarbonate Bowl: 150 PSI  
**Temperature Ratings:**  
 - Metal Bowl: 0-200°F  
 - Polycarbonate Bowl: 0-120°F

## Accessories & Kits

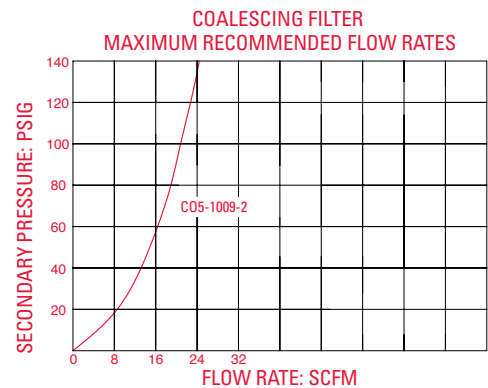
- Elements:** 0.3 Micron: 21720 - 0.01 Micron: 21762  
**REGULATOR KITS:** 20-250 PSI  
**Relieving:** 11531 11538  
**Non-Relieving:** 11532 11539  
**Bowl Kits:** - Polycarbonate Bowl Kit: 21557  
 - Polycarbonate Bowl Kit w/ Float Drain: 21572  
 - Metal Bowl Kit w/ Float Drain: 21583  
**Metal Bowl Kit:** 21580  
**Metal Bowl with Sight Level Kit (Polycarbonate/ Trogamid):** 21581-P or 21581-T  
**Metal Bowl with Float Drain and Sight Level Kit (Polycarbonate/ Trogamid):** 21583-P or 21583-T



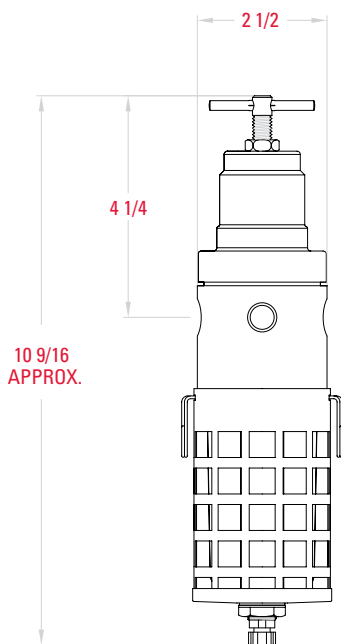
## Materials of Construction

- Body:** Machined Aluminum  
**Bonnet:** Machined Aluminum or Polycarbonate  
**Spring Guide:** Zinc Plated Steel  
**Diaphragm Gasket:** Stainless Steel  
**Valve Seat:** Brass  
**Poppet Valve Spring:** Stainless Steel  
**Seals:** Buna-N (Fluorocarbon available)  
**Whirl Disc:** Aluminum  
**Stud:** Zinc Plated Steel  
**Drain:**  
 Manual: Plastic  
 Float: Acetal and Stainless Steel  
 Impulse: Machined Aluminum, Brass, and Buna-N (Fluorocarbon Available)  
**Bowl:** Polycarbonate or Aluminum  
**Bowl Guard:** Stainless Steel

## Flow Characteristics



## Dimensions



## Ordering Information

### C05-1009-2

Bowl Type	
Polycarbonate	0
Polycarbonate w/ Guard	1
Metal	2
Metal w/ Sight Level	3

Pressure	
10-130 Relieving	0
10-130 Non-Relieving	1
5-60 Relieving	2
5-60 Non-Relieving	3
3-30 Relieving	4
3-30 Non-Relieving	5
20-250 Relieving	6
20-250 Non-Relieving	7

Elements	
0.3 Micron	9
0.01 Micron	8

Pipe Size	
1/4	2
3/8	3
1/2	4

#### OPTIONS

##### Anodizing

Green	Blank
Blue	A1
Black	A2
Clear	A3
Red	A5
Yellow	A6
Gold	A7
Purple	A8

##### Attachment Parts

Gauge	G
Bracket	B
Knob	K

##### Seals

Buna-N (Standard)	Blank
Fluorocarbon	V

##### Drain

Manual	Blank
Float (Internal)	F
Impulse (External)	D

##### Tamperproof

Tamperproof	T
Preset	P
Preset and Tamperproof	PT



# THE MONNIER WARRANTY

Monnier, Inc. warrants each product against defects in material and workmanship for a period of one year from the date of manufacture providing its use was in accordance with Monnier, Inc. recommendations. If the product fails to perform as warranted, Monnier, Inc. will, at its option, repair or replace the product free of charge. The company will not be liable for incidental or consequential damages. We make no other warranty, expressed or implied, including warranties of merchantability or fitness for a particular purpose.

# MINIATURE FILTER REGULATOR LUBRICATORS: 213-3000



## Components

**Filter:** 204-3000  
**Regulator:** 101-3000  
**Lubricator:** 305-3000  
**Nipple:** Zinc Dichromate Coated Steel

Please see individual product pages for further details.



## Operating Specifications

**Bowl Capacity:** 1 oz.  
**Maximum Pressure Ratings:**  
 - Metal Bowl: 250 PSI  
 - Polycarbonate Bowl: 150 PSI  
**Temperature Ratings:**  
 - Metal Bowls: 0-200°F  
 - Polycarbonate Bowls: 0-120°F

## Features

- Filter, regulator and lubricator consolidated into one assembly
- Polycarbonate or aluminum bowls available
- Manual or impulse drains available
- Gauge included
- High flow and low flow lubricator options
- 10-130 PSIG spring

## Ordering Information

# 213-3000-2

Bowl Type	
Polycarbonate	0
Polycarbonate w/ Bowl Guard	1
Metal	2

Pipe Size	
1/8"	1
1/4"	2

Lubricator Flow	
High Flow	0
Low Flow	5

Elements	
20 Micron	0
10 Micron	1
5 Micron	2

### OPTIONS

Anodizing	
None	Blank
Blue	A1
Black	A2
Clear	A3
Green	A4
Red	A5
Yellow	A6
Gold	A7
Purple	A8

Drain	
Manual	Blank
Impulse	D

Seals	
Buna-N (Standard)	Blank
Fluorocarbon	V

Attachment Part	
Bracket	B

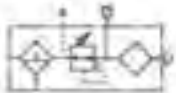
# MINIATURE FILTER/REGULATOR LUBRICATORS: B3-3000



## Components

**Filter/Regulator:** B01/C01-3000  
**Lubricator:** 305-3000  
**Nipple:** Zinc Dichromate Coated Steel

Please see individual product pages for further details.



## Operating Specifications

**Bowl Capacity:** 1 oz.  
**Maximum Pressure Ratings:**  
 - Metal Bowl: 250 PSI  
 - Polycarbonate Bowl: 150 PSI  
**Temperature Ratings:**  
 - Metal Bowls: 0-200°F  
 - Polycarbonate Bowls: 0-120°F

## Features

- Filter/regulator and lubricator consolidated into one assembly
- Reduces footprint of air prep assembly
- Polycarbonate or aluminum bonnets available
- Polycarbonate or aluminum bowls available
- Manual or impulse drains available
- Gauge included
- High flow and low flow lubricator options
- 10-130 PSIG spring

## Ordering Information

# B3-3000-2

Bonnet	
Polycarbonate	B
Aluminum	C

Pipe Size	
1/8"	1
1/4"	2

Bowl Type	
Polycarbonate	0
Polycarbonate w/ Bowl Guard	1
Metal	2

Lubricator Flow	
High Flow	0
Low Flow	5

Elements	
20 Micron	0
10 Micron	1
5 Micron	2

### OPTIONS

Anodizing	
None	Blank
Blue	A1
Black	A2
Clear	A3
Green	A4
Red	A5
Yellow	A6
Gold	A7
Purple	A8

Drain	
Manual	Blank
Impulse	D

Seals	
Buna-N (Standard)	Blank
Fluorocarbon	V

Attachment Part	
Bracket	B
Knob (Aluminum Bonnet Only)	K



# FILTER REGULATOR LUBRICATORS: 213-1000/2000



## Components

**Filter:** 204-1000/2000  
**Regulator:** 104-1000  
**Lubricator:** 304-1000/2000  
**Nipple:** Zinc Dichromate Coated Steel

Please see individual product pages for further details.



## Ordering Information

# 213-1000-2

Bowl Capacity	
5 Ounce	2
8 Ounce	1

Bowl Type	
Polycarbonate	0
Polycarbonate w/ Guard	1
Metal	2
Metal w/ Sight Level	3

Elements	
20 Micron	0
10 Micron	1
3 Micron	2

Pipe Size	
1/4"	2
3/8"	3
1/2"	4

### OPTIONS

Anodizing	
None	Blank
Blue	A1
Black	A2
Clear	A3
Green	A4
Red	A5
Yellow	A6
Gold	A7
Purple	A8

Drain	
Manual	Blank
Impulse	D
Float	F

Seals	
Buna-N (Standard)	Blank
Fluorocarbon	V

Attachment Part	
Bracket	B
Knob	K

## Operating Specifications

**Bowl Capacity:** 5 oz. or 8 oz.

**Maximum Pressure Ratings:**

- Metal Bowl: 250 PSI
- Polycarbonate Bowl: 150 PSI

**Temperature Ratings:**

- Metal Bowls: 0-200°F
- Polycarbonate Bowls: 0-120°F

## Features

- Filter, regulator and lubricator consolidated into one assembly
- Polycarbonate or aluminum bowls available
- Manual, float or impulse drains available
- Gauge included
- Tie-rod construction for maximum stability

# FILTER/REGULATOR LUBRICATORS: C3-1000/2000



## Components

**Filter/Regulator:** C01-1000 /2000  
**Lubricator:** 304-1000 /2000  
**Nipple:** Zinc Dichromate Coated Steel

Please see individual product pages for further details.



## Ordering Information

# C3-2000-2

Bowl Capacity	
5 oz.	2
8 oz.	1

Bowl Type	
Polycarbonate	0
Polycarbonate w/ Guard	1
Metal	2
Metal w/ Sight Level	3

Elements	
20 Micron	0
10 Micron	1
3 Micron	2

Pipe Size	
1/4"	2
3/8"	3
1/2"	4

### OPTIONS

Anodizing	
None	Blank
Blue	A1
Black	A2
Clear	A3
Green	A4
Red	A5
Yellow	A6
Gold	A7
Purple	A8

Drain	
Manual	Blank
Impulse	D
Float	F

Seals	
Buna-N (Standard)	Blank
Fluorocarbon	V

Attachment Part	
Bracket	B
Knob	K

## Operating Specifications

**Bowl Capacity:** 5 oz. or 8 oz.

**Maximum Pressure Ratings:**

- Metal Bowl: 250 PSI
- Polycarbonate Bowl: 150 PSI

**Temperature Ratings:**

- Metal Bowls: 0-200°F
- Polycarbonate Bowls: 0-120°F

## Features

- Filter/regulator and lubricator consolidated into one assembly
- Polycarbonate or aluminum bowls available
- Manual, float or impulse drains available
- Gauge included
- 10-130 PSIG spring



# FILTER/REGULATOR LUBRICATORS: B3-1000



## Components

**Filter:** B05-1000  
**Lubricator:** 305-3000  
**Nipple:** Zinc Dichromate Coated Steel

Please see individual product pages for further details.



## Operating Specifications

**Bowl Capacity:** 8 oz.  
**Maximum Pressure Ratings:**  
 - Metal Bowl: 250 PSI  
 - Polycarbonate Bowl: 150 PSI  
**Temperature Ratings:**  
 - Metal Bowls: 0-200°F  
 - Polycarbonate Bowls: 0-120°F

## Features

- Filter/regulator and lubricator consolidated into one assembly
- Gauge included
- Push to lock bonnet assembly
- Black anodized finish standard
- Polycarbonate or aluminum bowls available
- Reduces footprint of air prep assembly
- Manual, float or impulse drains available
- Threaded bowls for ease of maintenance

## Ordering Information

### B3-1000-2

Bowl Type	
Polycarbonate	0
Polycarbonate w/ Bowl Guard	1
Metal	2
Metal w/ Sight Levels	3

Pipe Size	
1/4"	2
3/8"	3
1/2"	4

Elements	
20 Micron	0
10 Micron	1
3 Micron	2

#### OPTIONS

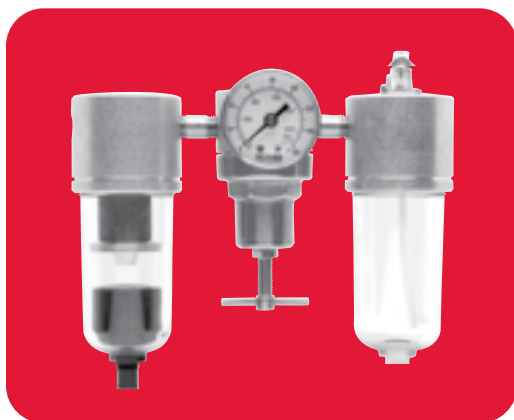
Anodizing	
Black (Standard)	Blank
Blue	A1
Clear	A3
Green	A4
Red	A5
Yellow	A6
Gold	A7
Purple	A8

Drain	
Manual	Blank
Impulse (External)	D
Float (Internal)	F

Seals	
Buna-N (Standard)	Blank
Fluorocarbon	V

Attachment Part	
Bracket	B

# FILTER REGULATOR LUBRICATORS: FRL-1000



## Components

**Filter:** 205-1000  
**Regulator:** 104-1000  
**Lubricator:** 305-1000  
**Nipple:** Zinc Dichromate Coated Steel

Please see individual product pages for further details.



## Operating Specifications

**Bowl Capacity:** 8 oz.  
**Maximum Pressure Ratings:**  
 - Metal Bowl: 250 PSI  
 - Polycarbonate Bowl: 150 PSI  
**Temperature Ratings:**  
 - Metal Bowls: 0-200°F  
 - Polycarbonate Bowls: 0-120°F

## Features

- Filter, regulator and lubricator consolidated into one assembly
- Polycarbonate or aluminum bowls available
- Reduces footprint of air prep assembly
- Manual, float or impulse drains available
- Gauge included
- Threaded bowls for ease of maintenance

## Ordering Information

### FRL-1000-2

Bowl Type	
Polycarbonate	0
Polycarbonate w/ Bowl Guard	1
Metal	2
Metal w/ Sight Levels	3

Pipe Size	
1/4"	2
3/8"	3
1/2"	4

Elements	
20 Micron	0
10 Micron	1
3 Micron	2

#### OPTIONS

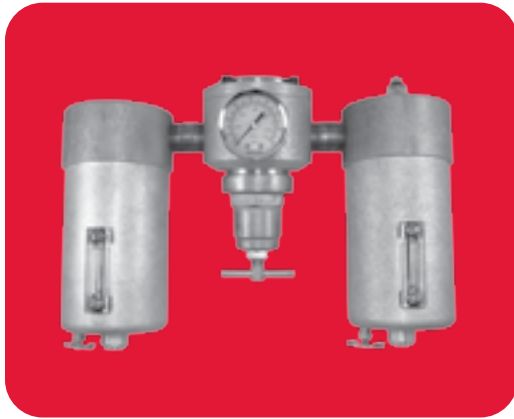
Anodizing	
None	Blank
Blue	A1
Black	A2
Clear	A3
Green	A4
Red	A5
Yellow	A6
Gold	A7
Purple	A8

Drain	
Manual	Blank
Impulse	D
Float	F

Seals	
Buna-N (Standard)	Blank
Fluorocarbon	V

Attachment Part	
Bracket	B
Knob	K

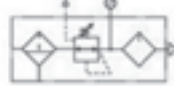
# FILTER REGULATOR LUBRICATORS: 213-5000



## Components

**Filter:** 201-5000  
**Regulator:** 116-5000  
**Lubricator:** 303-5000  
**Nipple:** Zinc Dichromate Coated Steel

Please see individual product pages for further details.



## Ordering Information

# 213-5000-6

Bowl Type	
Polycarbonate	0
Polycarbonate w/ Bowl Guard	1
Metal	2
Metal w/ Sight Levels	3

Pipe Size	
3/4"	6
1"	8

Elements	
20 Micron	0
10 Micron	1
3 Micron	2

### OPTIONS

Anodizing	
None	Blank
Blue	A1
Black	A2
Clear	A3
Green	A4
Red	A5
Yellow	A6
Gold	A7
Purple	A8

Drain	
Manual	Blank
Impulse	D
Float	F

Seals	
Buna-N (Standard)	Blank
Fluorocarbon	V

Attachment Part	
Bracket	B
Knob	K

## Operating Specifications

- Bowl Capacity:** 21 oz.  
**Maximum Pressure Ratings:**  
 - Metal Bowl: 250 PSI  
 - Polycarbonate Bowl: 150 PSI  
**Temperature Ratings:**  
 - Metal Bowls: 0-200°F  
 - Polycarbonate Bowls: 0-120°F

## Features

- Filter, regulator and lubricator consolidated into one assembly
- Polycarbonate or aluminum bowls available
- Manual, float or impulse drains available
- Gauge included

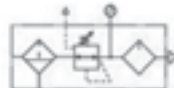
# FILTER REGULATOR LUBRICATORS: 213-4000



## Components

**Filter:** 201-4000  
**Regulator:** 116-4000  
**Lubricator:** 303-4000  
**Nipple:** Zinc Dichromate Coated Steel

Please see individual product pages for further details.



## Ordering Information

# 213-4000-8

Bowl Type	
Polycarbonate	0
Polycarbonate w/ Bowl Guard	1
Metal	2
Metal w/ Sight Levels	3

Pipe Size	
3/4"	6
1"	8
1'-1/4"	10
1'-1/2"	12

Elements	
20 Micron	0
10 Micron	1
100 Micron	3

### OPTIONS

Anodizing	
None	Blank
Blue	A1
Black	A2
Clear	A3
Green	A4
Red	A5
Yellow	A6
Gold	A7
Purple	A8

Drain	
Manual	Blank
Impulse	D
Float	F

Seals	
Buna-N (Standard)	Blank
Fluorocarbon	V

Attachment Part	
Bracket	B
Knob	K

## Operating Specifications

- Bowl Capacity:** 32 oz.  
**Maximum Pressure Ratings:**  
 - Metal Bowl: 250 PSI  
 - Polycarbonate Bowl: 150 PSI  
**Temperature Ratings:**  
 - Metal Bowls: 0-200°F  
 - Polycarbonate Bowls: 0-120°F

## Features

- Filter, regulator and lubricator consolidated into one assembly
- Polycarbonate or aluminum bowls available
- Manual, float or impulse drains available
- Gauge included



## Stainless Steel Air Preparation Products

### TABLE OF CONTENTS

<b>204S-3200 Series</b>	<b>63</b>
<b>204S-3209 Series</b>	<b>64</b>
<b>205S-1200 Series</b>	<b>65</b>
<b>205S-1209 Series</b>	<b>66</b>
<b>101S-3000 Series</b>	<b>67</b>
<b>104S-1000 Series</b>	<b>68</b>
<b>B01S-3200 Series</b>	<b>69</b>
<b>B01S-3209 Series</b>	<b>70</b>
<b>C05S-1200 Series</b>	<b>71</b>

**M**onnier offers a line of particulate filters, coalescing filters, regulators and filter/regulators in 316 Stainless Steel. Designed to withstand caustic solutions, harsh operating conditions and other demanding applications, the Monnier Stainless Line is ideal for the following industries:

- Food preparation and packaging
- Pharmaceutical
- Natural gas
- Offshore
- Wastewater treatment

Designed with those demanding applications in mind, highlights of the Monnier Stainless Line include:

- **316 Stainless Steel:** All metal components, including internals, are made of 316 SS, making them the most impervious to any sort of degradation.
- **NACE Compliant:** Each component of the stainless line adheres to the NACE MR0175 standard.
- **Flexibility:** All options found in our machined aluminum miniature series are available in the stainless line, including pressure ranges, element ratings and automatic drain options.

**WARRANTY:** Monnier, Inc. warrants each product against defects in material and workmanship for a period of one year from the date of manufacture providing its use was in accordance with Monnier, Inc. recommendations. If the product fails to perform as warranted, Monnier, Inc. will, at its option, repair or replace the product free of charge. The company will not be liable for incidental or consequential damages. We make no other warranty, expressed or implied, including warranties of merchantability or fitness for a particular purpose.

# STAINLESS STEEL FILTERS: 204S-3200 Series



## Features

- NACE MR0175 Compliant
- 316 SS housing and internal components
- Excellent water and particulate removal efficiency
- Threaded bowl and element retainer for easy maintenance
- Bowl seal held captive
- 20 micron element standard; 10 & 5 micron elements available
- Manual or automatic drains
- Whirl disc design creates high centrifugal force with minimal pressure drop
- 1 ounce bowl capacity
- High flow: 25 SCFM @ 80 PSIG inlet with 7 PSI ΔP

## Materials of Construction

- Head:** 316 Stainless Steel
- Bowl:** 316 Stainless Steel
- Whirl Disc:** 316 Stainless Steel
- Element Retainer:** Polypropylene
- Element:** Phenolic/Melamine Impregnated Cellulose
- Seals:** Fluorocarbon
- Drain:** 316 Stainless Steel (Manual & Impulse)

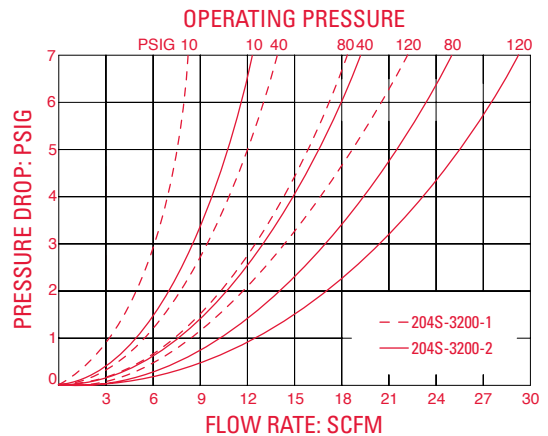
## Operating Specifications

**Maximum Pressure:** 250 PSI  
**Maximum Temperature:** 200°F

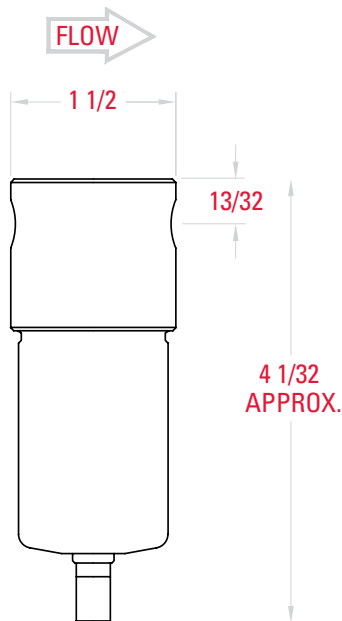
## Replacement Parts

<b>Elements</b>	20 Micron	23004
	10 Micron	23025
	5 Micron	23040
<b>Bowl Kits w/Drains</b>	Manual Drain	23533SS
	Impulse Drain	23534SS

## Flow Characteristics



## Dimensions



## Ordering Information

**204S - 3200 - 2**

Elements	
20 Micron	0
10 Micron	1
5 Micron	2

Pipe Size	
1/8"	1
1/4"	2

### OPTIONS

Drain	
Manual (Standard)	Blank
Impulse (Automatic)	D
Seals	
Fluorocarbon	Blank
FDA Buna-N	X

# STAINLESS STEEL COALESCING FILTERS: 204S-3209 Series



## Features

- NACE MR0175 Compliant
- 316 SS housing and internal components
- Removes more than 99.95% of oil and dirt from air lines
- Threaded bowl and element retainer for easy maintenance
- Bowl seal held captive
- 0.3 micron element standard; 0.01 available for high purity applications
- Now available with carbon elements
- Manual or automatic drains
- 1 ounce bowl capacity

## Operating Specifications

**Maximum Pressure:** 250 PSI  
**Maximum Temperature:** 200°F

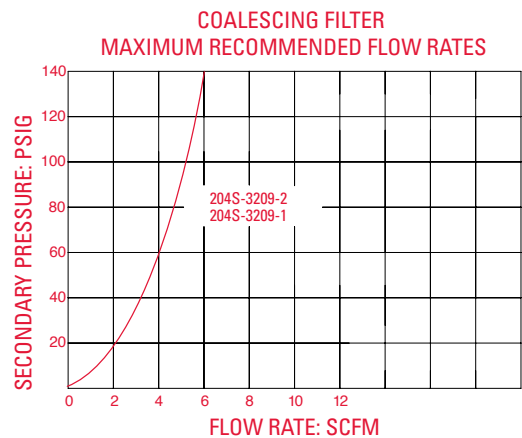
## Replacement Parts

<b>Elements</b>	0.3 Micron	23543
	0.01 Micron	23592
	Carbon	23758
<b>Bowl Kits w/Drains</b>	Manual Drain	23533SS
	Impulse Drain	23534SS

## Materials of Construction

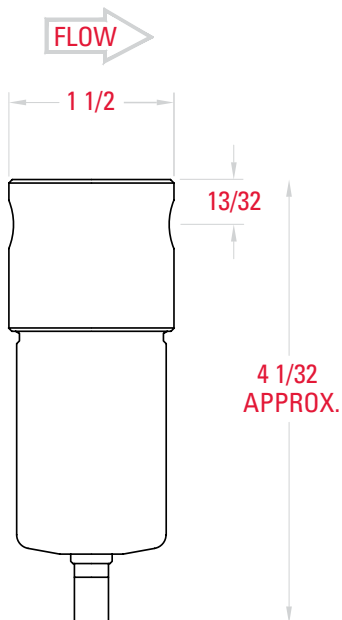
**Head:** 316 Stainless Steel  
**Bowl:** 316 Stainless Steel  
**Whirl Disc:** 316 Stainless Steel  
**Element Retainer:** Polypropylene  
**Element:** Borosilicate Glass Fiber  
**Seals:** Fluorocarbon  
**Drain:** 316 Stainless Steel (Manual & Impulse)

## Flow Characteristics



Data represents flows through saturated elements at 2 PSI pressure drop, the maximum permissible for proper coalescing action.

## Dimensions



## Ordering Information

# 204S - 3209 - 2

Elements	
0.3 Micron	9
0.01 Micron	8
Carbon	7

Pipe Size	
1/8"	1
1/4"	2

### OPTIONS

<b>Drain</b>	
Manual (Standard)	Blank D
Impulse (Automatic)	D
<b>Seals</b>	
Fluorocarbon	Blank X
FDA Buna-N	X

# STAINLESS STEEL PARTICULATE FILTERS: 205S-1200 Series



## Features

- NACE MR0175 Compliant
- 316 SS housing and internal components
- Excellent water and particulate removal efficiency
- Threaded bowl and element retainer for easy maintenance
- Bowl seal held captive
- 20 micron element standard; 10 & 3 micron elements available
- Manual or automatic drains
- Whirl disc design creates high centrifugal force with minimal pressure drop
- 8 ounce bowl capacity
- High flow: 25 SCFM @ 80 PSIG inlet with 7 PSI ΔP

## Materials of Construction

**Head:** 316 Stainless Steel  
**Bowl:** 316 Stainless Steel  
**Whirl Disc:** 316 Stainless Steel  
**Stud:** 316 Stainless Steel  
**Element Retainer:** 316 Stainless Steel  
**Seals:** Fluorocarbon (FDA Approved Buna available)  
**Element:** Phenolic Impregnated Cellulose  
**Drain:**  
**Manual:** 316 Stainless Steel  
**Float:** Acetal and Stainless Steel  
**Impulse:** 316SS & Fluorocarbon (FDA Approved Buna available)

## Accessories

**20 Micron:** 21205  
**10 Micron:** 21036  
**3 Micron:** 21037



Manual Drain

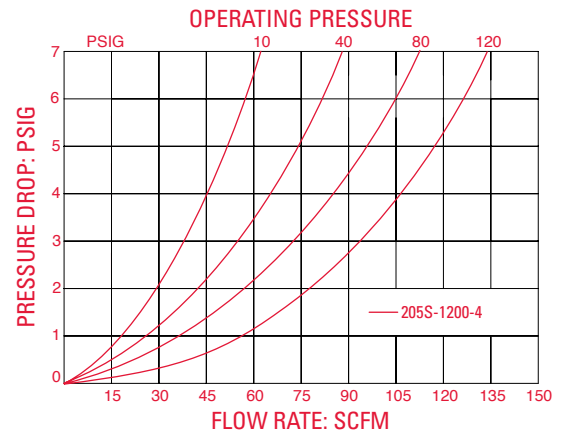


Automatic Drain

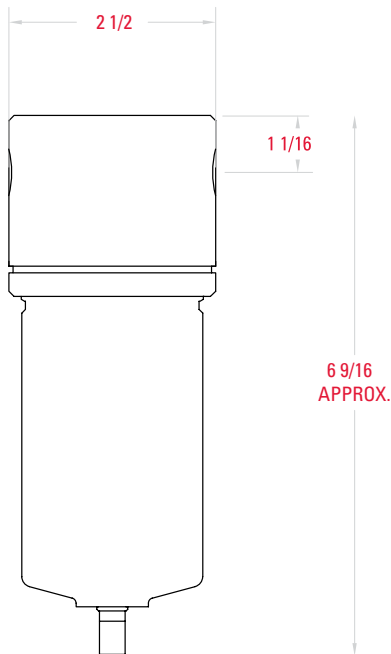
## Operating Specifications

**Bowl Capacity:** 8 oz.  
**Pressure Rating:** 250 PSIG  
**Temperature Rating:** 0 - 200°F  
**Ports:** 1/2" NPT

## Flow Characteristics



## Dimensions



## Ordering Information

**205S - 1200 - 4**

Elements	
20 Micron	0
10 Micron	1
3 Micron	2

OPTIONS	
<b>Seals</b>	
Fluorocarbon	Blank
FDA Buna-N	X
<b>Drain</b>	
Manual	Blank
Impulse	D

# STAINLESS STEEL COALESCING FILTERS: 205S-1209 Series



## Features

- All metal components are 316 SS
- Removes liquid and sub-micron solids
- 0.3 Micron Element removes 99.97% of dirt and oil from air
- 0.01 Micron Element removes 99.995% of dirt and oil from air
- Also available with carbon elements
- Available with manual, float or impulse drain
- Threaded bowl for ease of maintenance
- 8 ounce bowl capacity

## Accessories

### Elements:

- 0.3 Micron: 21720
- 0.01 Micron: 21762
- Carbon: 21756

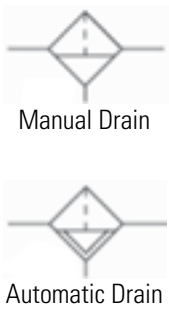
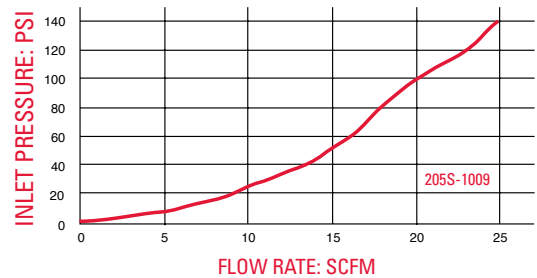
## Operating Specifications

- Bowl Capacity:** 8 oz.
- Pressure Rating:** 250 PSIG
- Temperature Rating:** 0 - 200°F
- Ports:** 1/2" NPT

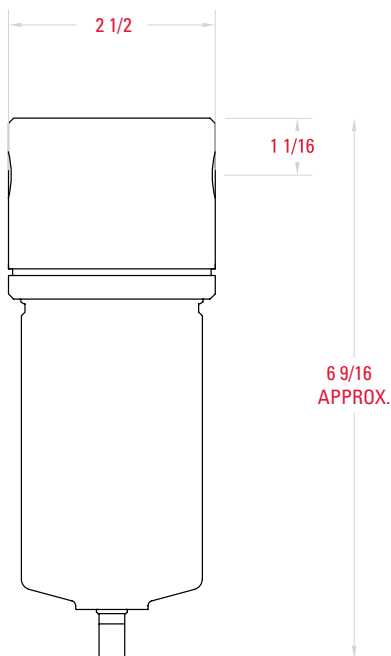
## Materials of Construction

- Head:** 316 Stainless Steel
- Bowl:** 316 Stainless Steel
- Whirl Disc:** 316 Stainless Steel
- Stud:** 316 Stainless Steel
- Element Retainer:** 316 Stainless Steel
- Seals:** Fluorocarbon (FDA Approved Buna available)
- Drain:**
  - Manual:** 316 Stainless Steel
  - Float:** Acetal and Stainless Steel
  - Impulse:** 316SS & Fluorocarbon (FDA Approved Buna available)

## Flow Characteristics



## Dimensions



## Ordering Information

205S - 1209 - 4

Elements	
0.3 Micron	9
0.01 Micron	8
Carbon	7

### OPTIONS

Seals	
Fluorocarbon	Blank
FDA Buna-N	X

Drain	
Manual	Blank
Impulse	D
Float	F



# STAINLESS STEEL REGULATORS: 101S-3000 Series



## Features

- NACE MR0175 Compliant
- All metal components are 316 SS
- Available with stainless steel or acetal bonnet with locking ring
- Diaphragm design for greater accuracy, responsiveness and repeatability
- Fluorocarbon seals
- Available in relieving or non-relieving
- Relieving bonnet is designed without relief hole for greater protection in harsh environments

## Accessories

**Mounting Nut:** 13133SS (101); 13025SS (111)

## Operating Specifications

**Maximum Pressure:** 250 PSI  
**Maximum Temperature:** 200°F

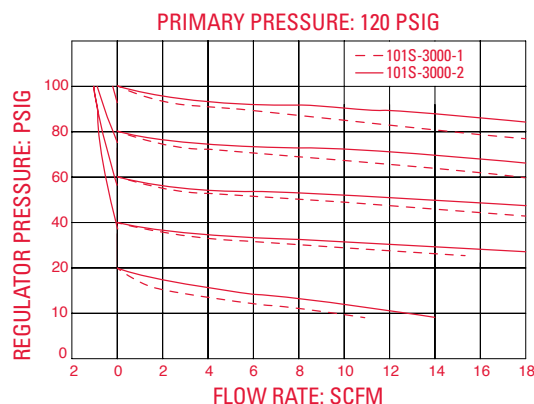
## Replacement Parts

Repair Kit		
Relieving		13532SS
Non Relieving		13533SS

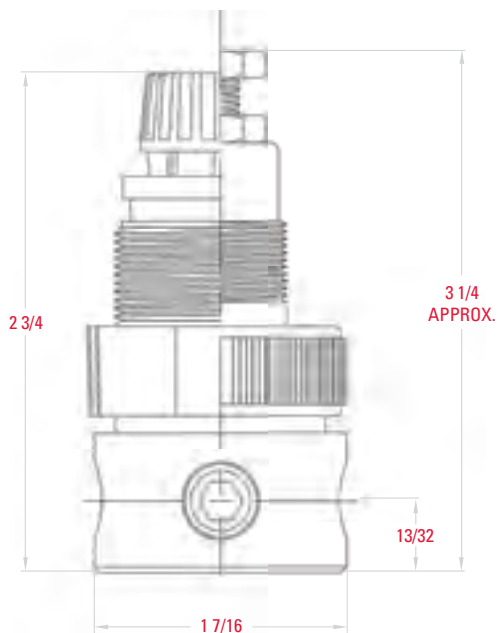
## Materials of Construction

**Body:** 316 Stainless Steel  
**Bonnet:** 316 Stainless Steel (111 Series); Acetal (101 Series)  
**Adjustment Screw:** 316 Stainless Steel  
**Poppet:** Fluorocarbon  
**Poppet Seat:** 316 Stainless Steel  
**Diaphragm Assembly:** Fluorocarbon w/ 316 SS Components  
**Seals:** Fluorocarbon  
**Springs:** 316 Stainless Steel

## Flow Characteristics



## Dimensions



## Ordering Information

# 101S - 3000 - 2

Bonnet	
Acetal	0
316 SS	1

Gauge Ports	
Gauge Port	0
No Gauge Port	1

Pipe Size	
1/8"	1
1/4"	2

Pressure Range	
10-130 PSI Relieving	00
10-130 PSI Non-Relieving	01
5-60 Relieving	02
5-60 Non-Relieving	03
3-30 Relieving	04
3-30 Non-Relieving	05
20-250 Relieving	06
20-250 Non-Relieving	07
1-10 Relieving	08
1-10 Non-Relieving	09

## OPTIONS

Seals	
Fluorocarbon	Blank
FDA Buna-N	X

Preset	
None (Standard)	Blank
Preset	P
Tamper Resistant (Acetal Bonnet)	T
Non-Adjustable Set Screw (SS Bonnet)	T

# STAINLESS STEEL PRESSURE REGULATORS: 104S-1000 Series



## Features

- All metal components are 316 SS
- Diaphragm style regulator for minimal hysteresis and greater responsiveness
- Relieving and non-relieving versions available
- Gauge port plugs included
- FDA approved seals available

## Accessories

### Regulator Kits:

- Relieving:** 11531SS
- Relieving (20-250 PSI):** 11538SS
- Non-Relieving:** 11532SS
- Non-Relieving (20-250 PSI):** 11539SS

**Panel Nut:** 11194SS

**Bracket:** 11123SS

## Operating Specifications

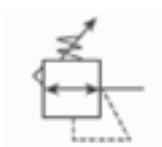
**Gauge Ports:** two 1/8" NPT (Standard)

**Maximum Inlet Pressure:** 250 PSIG

**Temperature Rating:** 0-175°F

**Relief Port:** M5

**Inlet/Outlet Ports:** 1/2" NPT



Relieving



Non-Relieving

## Materials of Construction

**Body:** 316 Stainless Steel

**Bonnet:** 316 Stainless Steel

**Spring Guide:** 316 Stainless Steel

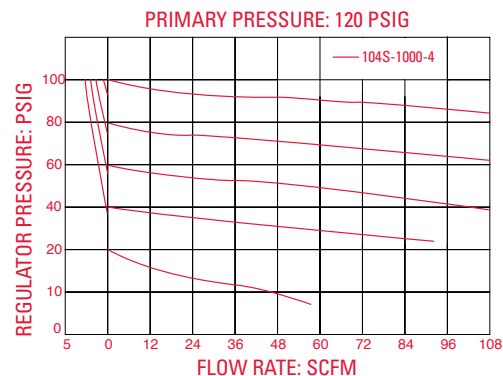
**Diaphragm Gasket:** 316 Stainless Steel

**Valve Seat:** 316 Stainless Steel

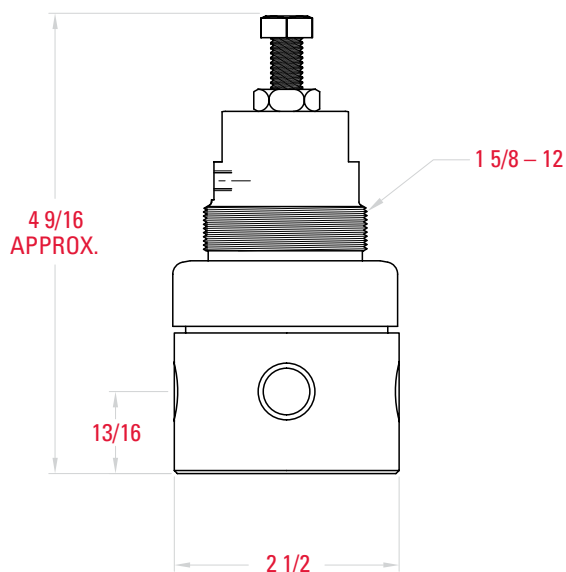
**Poppet Valve Spring:** 316 Stainless Steel

**Seals:** Fluorocarbon (FDA Approved  
Buna available)

## Flow Characteristics



## Dimensions



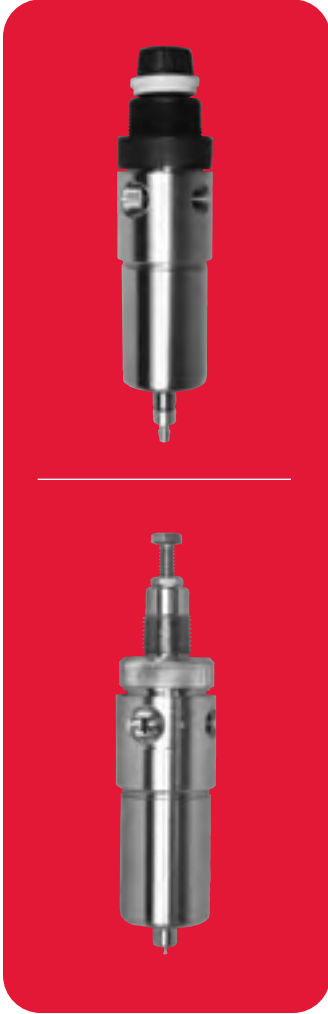
## Ordering Information

# 104S - 1000 - 4

Pressure Range	
10-130 PSI Relieving	00
10-130 PSI Non-Relieving	01
20-250 Relieving	06
20-250 Non-Relieving	07

Options	
<b>Attachment Parts</b>	
Gauge	G
<b>Seals</b>	
Fluorocarbon	Blank
FDA Buna-N	X

# STAINLESS STEEL FILTER/REGULATORS: B01S-3200 Series



## Features

- NACE MR0175 Compliant
- All metal components are 316 SS
- Available with stainless steel or acetal bonnet with locking ring
- Diaphragm design for greater accuracy, responsiveness and repeatability
- Fluorocarbon seals
- Threaded bowl and element retainer for easy maintenance
- Bowl seal held captive
- Bowl seal held captive
- Manual or automatic drains

## Accessories

**Mounting Nut:** 13133SS (C01); 13025SS (B01)

## Operating Specifications

**Maximum Pressure:** 250 PSI  
**Maximum Temperature:** 200°F

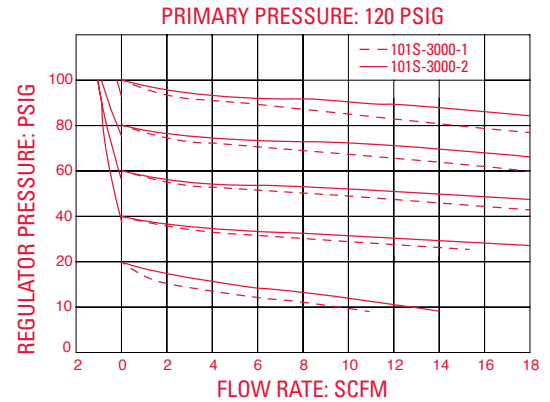
## Replacement Parts

<b>Repair Kit</b>	Relieving	13532SS
	Non-Relieving	13533SS
<b>Elements</b>	20 Micron	23004
	10 Micron	23025
	5 Micron	23040
<b>Bowl Kits w/Drains</b>	Manual Drain	23533SS
	Impulse Drain	23534SS

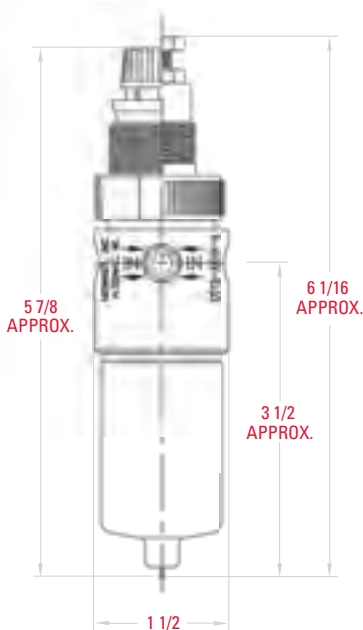
## Materials of Construction

**Body:** 316 Stainless Steel  
**Bonnet:** 316 Stainless Steel (C01 Series); Acetal (B01 Series)  
**Adjustment Screw:** 316 Stainless Steel  
**Poppet:** Fluorocarbon  
**Poppet Seat:** 316 Stainless Steel  
**Diaphragm Assembly:** Fluorocarbon w/ 316 SS Components  
**Seals:** Fluorocarbon **Springs:** 316 Stainless Steel  
**Bowl:** 316 Stainless Steel  
**Whirl Disc:** 316 Stainless Steel  
**Element Retainer:** Polypropylene  
**Element:** Phenolic/Melamine Impregnated Cellulose  
**Drain:** 316 Stainless Steel (Manual & Impulse)

## Flow Characteristics



## Dimensions



## Ordering Information

# B01S - 3200 - 2

Bonnet	
Acetal	B
316 SS	C

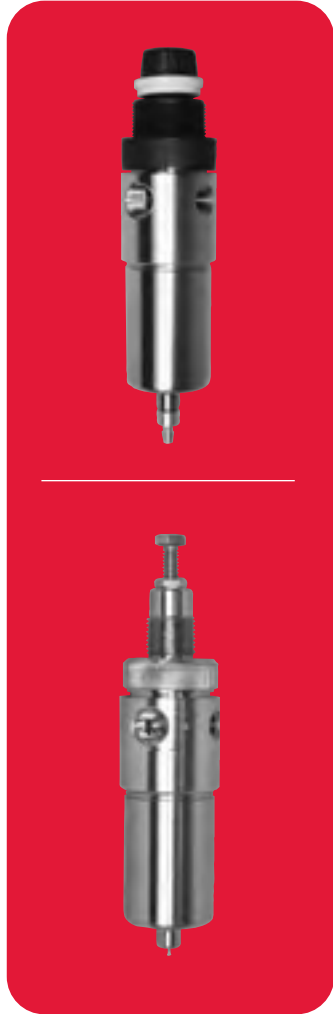
Pressure Range	
10-130 PSI Relieving	00
10-130 PSI Non-Relieving	01
5-60 Relieving	02
5-60 Non-Relieving	03
3-30 Relieving	04
3-30 Non-Relieving	05
20-250 Relieving	06
20-250 Non-Relieving	07
1-10 Relieving	08
1-10 Non-Relieving	09

Elements	
20 Micron	0
10 Micron	1
5 Micron	2

OPTIONS	
Seals	
Fluorocarbon	Blank
FDA Buna-N	X
Drain	
Manual (Standard)	Blank
Impulse (Automatic)	D

Pipe Size	
1/8"	1
1/4"	2

# STAINLESS STEEL COALESCING FILTER/REGULATORS: **B01S-3209 Series**



## Features

- NACE MR0175 Compliant
- Available with stainless steel or acetal bonnet with locking ring
- Diaphragm design for greater accuracy, responsiveness and repeatability
- Fluorocarbon seals
- Excellent water and particulate removal efficiency
- Threaded bowl and element retainer for easy maintenance
- Bowl seal held captive
- 0.3 micron element standard; 0.01 available for high purity applications
- Now available with Carbon elements
- Manual or automatic drains

## Operating Specifications

**Maximum Pressure:** 250 PSI  
**Maximum Temperature:** 200°F

## Replacement Parts

<b>Repair Kit</b>	Relieving	13532SS
	Non-Relieving	13533SS
<b>Elements</b>	0.3 Micron	23543
	0.01 Micron	23751
	Carbon	23758
<b>Bowl Kits w/Drains</b>	Manual Drain	23533SS
	Impulse Drain	23534SS

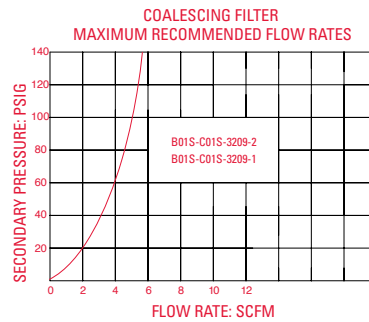
## Materials of Construction

**Body:** 316 Stainless Steel  
**Bonnet:** 316 Stainless Steel (C01 Series); Acetal (B01 Series)  
**Adjustment Screw:** 316 Stainless Steel  
**Poppet:** Fluorocarbon  
**Poppet Seat:** 316 Stainless Steel  
**Diaphragm Assembly:** Fluorocarbon w/ 316 SS Components  
**Seals:** Fluorocarbon **Springs:** 316 Stainless Steel  
**Bowl:** 316 Stainless Steel  
**Whirl Disc:** 316 Stainless Steel  
**Element Retainer:** Polypropylene  
**Element:** Borosilicate Glass Fiber  
**Drain:** 316 Stainless Steel (Manual & Impulse)

## Accessories

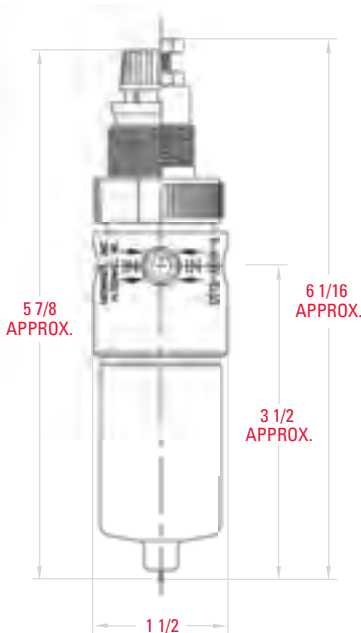
**Mounting Nut:** 13133SS (B01); 13025SS (C01)

## Flow Characteristics



Data represents flows through saturated elements at 2 PSI pressure drop, the maximum permissible for proper coalescing action.

## Dimensions



## Ordering Information

# C01S - 3209 - 2

Bonnet	
Acetal	<b>B</b>
316 SS	<b>C</b>

Pressure Range	
10-130 PSI Relieving	<b>00</b>
10-130 PSI Non-Relieving	<b>01</b>
5-60 Relieving	<b>02</b>
5-60 Non-Relieving	<b>03</b>
3-30 Relieving	<b>04</b>
3-30 Non-Relieving	<b>05</b>
20-250 Relieving	<b>06</b>
20-250 Non-Relieving	<b>07</b>
1-10 Relieving	<b>08</b>
1-10 Non-Relieving	<b>09</b>

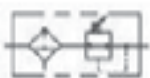
Elements	
.3 Micron	<b>9</b>
.01 Micron	<b>8</b>
Carbon	<b>7</b>

### OPTIONS

Seals	
Fluorocarbon	<b>Blank</b>
FDA Buna-N	<b>X</b>
Drain	
Manual (Standard)	<b>Blank</b>
Impulse (Automatic)	<b>D</b>

Pipe Size	
1/8"	<b>1</b>
1/4"	<b>2</b>

# STAINLESS STEEL PARTICULATE FILTER REGULATORS: C05S-1200 Series



## Features

- All metal components are 316 SS
- Threaded bowl for ease of maintenance
- Filter and regulator consolidated into one assembly
- Reduces footprint of air prep assembly
- Manual, float or impulse drains available
- FDA approved seals available

## Operating Specifications

**Bowl Capacity:** 8 oz.  
**Maximum Pressure:** Metal Bowls: 250 PSI  
**Maximum Temperature:** Metal Bowls: 200°F  
**Ports:** 1/2" NPT

## Accessories

### Elements:

- 20 Micron:** 21205
- 10 Micron:** 21036
- 3 Micron:** 21037

### Regulator Kits:

- Relieving:** 11531SS
- Relieving (20-250 PSI):** 11538SS
- Non-Relieving:** 11532SS
- Non-Relieving (20-250 PSI):** 11539SS

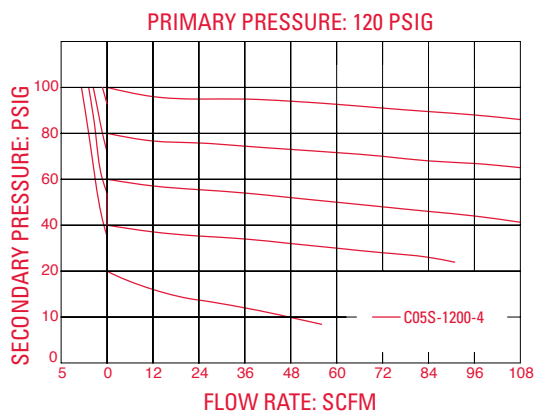
**Panel Nut:** 11194SS

**Bracket:** 11123SS

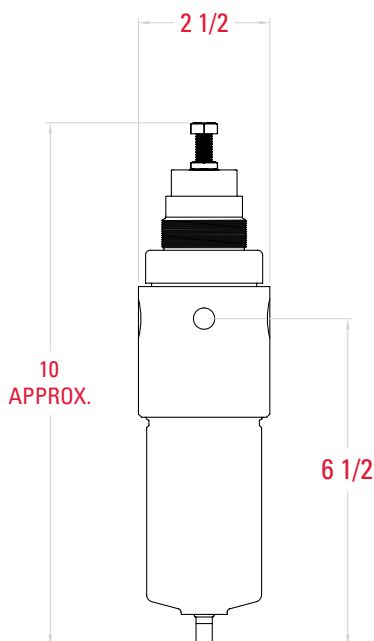
## Materials of Construction

**Body:** 316 Stainless Steel  
**Bonnet:** 316 Stainless Steel  
**Bowl:** 316 Stainless Steel  
**Spring Guide:** 316 Stainless Steel  
**Diaphragm Gasket:** 316 Stainless Steel  
**Valve Seat:** 316 Stainless Steel  
**Poppet Valve Spring:** 316 Stainless Steel  
**Whirl Disc:** 316 Stainless Steel  
**Seals:** Fluorocarbon (FDA Approved Buna available)  
**Element:** Phenolic Impregnated Acrylic Fibers  
**Drain: Manual:** 316 SS  
**Float:** Acetal and Stainless Steel  
**Impulse:** 316SS & Fluorocarbon (FDA Approved Buna available)

## Flow Characteristics



## Dimensions



## Ordering Information

# C05S - 1200 - 4

Pressure Range	
10-130 PSI Relieving	00
10-130 PSI Non-Relieving	01
20-250 Relieving	06
20-250 Non-Relieving	07

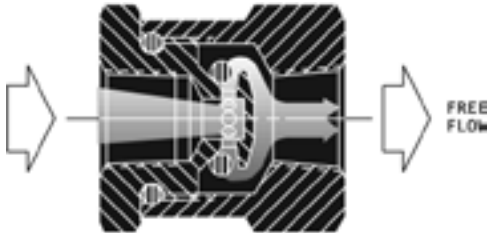
Elements	
20 Micron	0
10 Micron	1
3 Micron	2

### OPTIONS

Attachment Parts	
Bracket	B
Seals	
Fluorocarbon	Blank
FDA Buna-N	X
Drain	
Manual	Blank
Impulse	D



# Check Valves & Flow Controls



## Check Valves

Lightweight aluminum O-Check® features a dilating o-ring as the only moving part. Quick to open, quick to close, O-Check ‘outflows’ the competition, will last millions of cycles (factory tests to 50 million cycles show no discernible wear) and always provides positive sealing (no bubble leakage). Standard NPTF sizes 1/8”, 1/4”, 3/8”, 1/2” and 3/4” and orifices available for fixed flow control applications.

## Flow Controls

Right angle flow controls incorporate O-Check as the bypass valve. MRFC permits full free flow in one direction, accurately metered flow in opposite direction. Standard metering needle design includes compound needle taper of 5° and 15° and fine adjustment stem threads (MRFC 1/4 for example is 1/4” - 36). Right angle design eliminates the need for pipe elbow fitting normally used to make 90° turn at cylinder port. Standard NPTF sizes 1/8”, 1/4”, 3/8”, 1/2” and 3/4”. Adjustment knobs and panel mounting available (NPTF sizes 1/8”, 1/4” and 3/8” only). Optional swivel connector allows “direct” cylinder mounting and 360° rotation for ease of installation and space saving (NPTF sizes 1/8”, 1/4”, 3/8”, and 1/2” only).

## Benefits

- Compact design adds to the appearance of any type of equipment.
- All valves are individually tested before they leave the factory.
- Tests up to 50 million cycles show no discernible wear and still perform “bubble-tight.”

## Specifications

**Maximum Operating Pressure:** 250 psi

**Operating Temperature Range:** -40° - +225°F.

**Standard O-Ring Material:** Buna-N (Fluorocarbon available on 1/8”, 1/4” and 3/8” NPTF models)

**Standard Valve Body Material:** Aluminum

**Standard Needle Material:** Brass

**Standard Swivel Connector Material:** Zinc-Plated Steel

### WARRANTY:

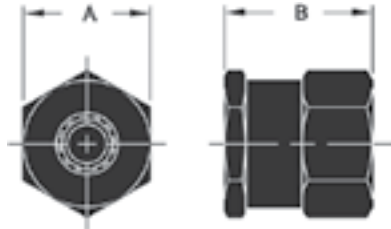
Monnier, Inc. warrants each product against defects in material and workmanship for a period of one year from the date of manufacture providing its use was in accordance with Monnier, Inc. recommendations. If the product fails to perform as warranted, Monnier, Inc. will, at its option, repair or replace the product free of charge. The company will not be liable for incidental or consequential damages. We make no other warranty, expressed or implied, including warranties of merchantability or fitness for a particular purpose.



## CHECK VALVES: O-CHECK® MCV Series



### Diagram

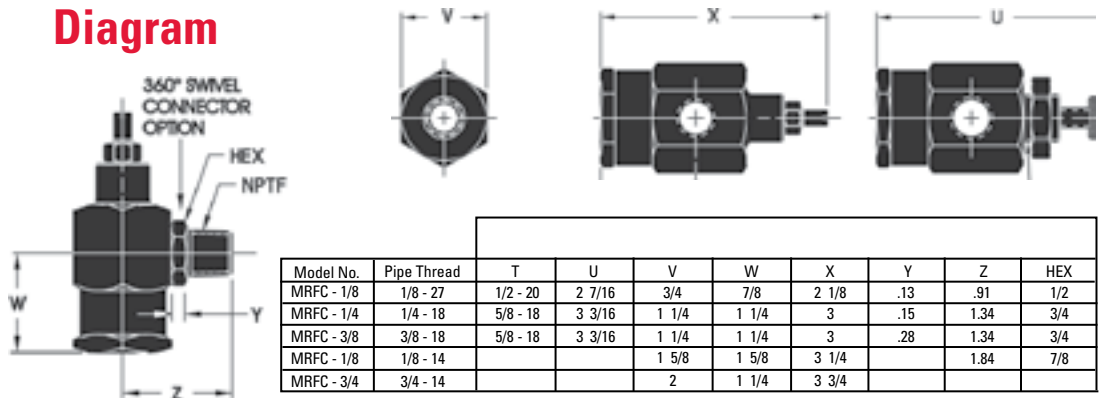


Model No.	Pipe Thread	A	B
MCV - 1/8	1/8 - 27	3/4	15/16
MCV - 1/4	1/4 - 18	1 1/8	1 15/16
MCV - 3/8	3/8 - 18	1 1/8	1 15/16
MCV - 1/8	1/8 - 14	1 5/8	1 9/16
MCV - 3/4	3/4 - 14	1 7/8	2 5/16

## FLOW CONTROLS: RIGHT ANGLE MRFC Series

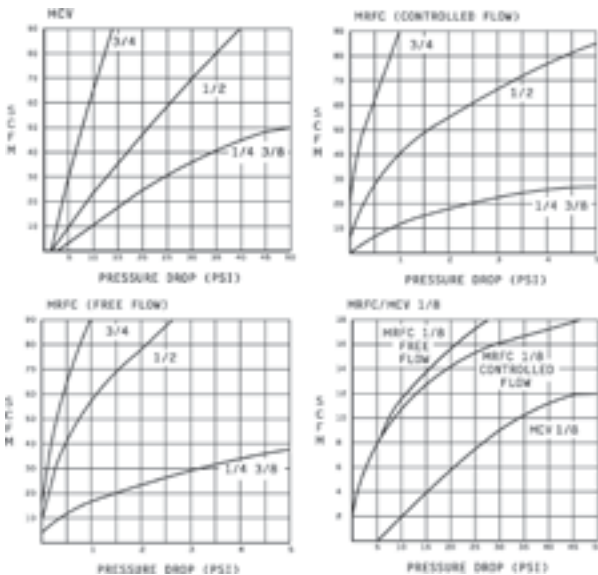


### Diagram



Model No.	Pipe Thread	T	U	V	W	X	Y	Z	HEX
MRFC - 1/8	1/8 - 27	1/2 - 20	2 7/16	3/4	7/8	2 1/8	.13	.91	1/2
MRFC - 1/4	1/4 - 18	5/8 - 18	3 3/16	1 1/4	1 1/4	3	.15	1.34	3/4
MRFC - 3/8	3/8 - 18	5/8 - 18	3 3/16	1 1/4	1 1/4	3	.28	1.34	3/4
MRFC - 1/8	1/8 - 14			1 5/8	1 5/8	3 1/4		1.84	7/8
MRFC - 3/4	3/4 - 14			2	1 1/4	3 3/4			

## Flow Charts



## Ordering Information

SERIES	CODE	NPFT	OPTIONS	CODE	O-RINGS	CODE
O-Check	MCV	1/3-3/8 Orifice	1/32 Orifice 1/16 Orifice 3/32 Orifice	031 063 094	Buna - N (Standard) Viton	V
		1/2 & 3/4	1/8 Orifice	125	Buna - N (Only)	
Right Angle Flow Control	MRFC	1/8 to 3/8	Knob Panel Mount Knob & Panel Mt Swivel Swivel Knob	K P PK S SK	Buna - N (Standard) Viton	V
		1/2	Swivel	S	Buna - N (Only)	
		3/4				





# Air/Oil Reservoirs



Designed to be placed between the valve and cylinder in a pneumatic circuit, Monnier's Air/Oil reservoirs provide the predictable, even cylinder actuation of a hydraulic system in a low cost pneumatic circuit.

## Reservoir Function

Compressed air enters the top inlet port and forces the hydraulic fluid out of the reservoir and into the downstream cylinder. Pressure is maintained at a 1:1 ratio.

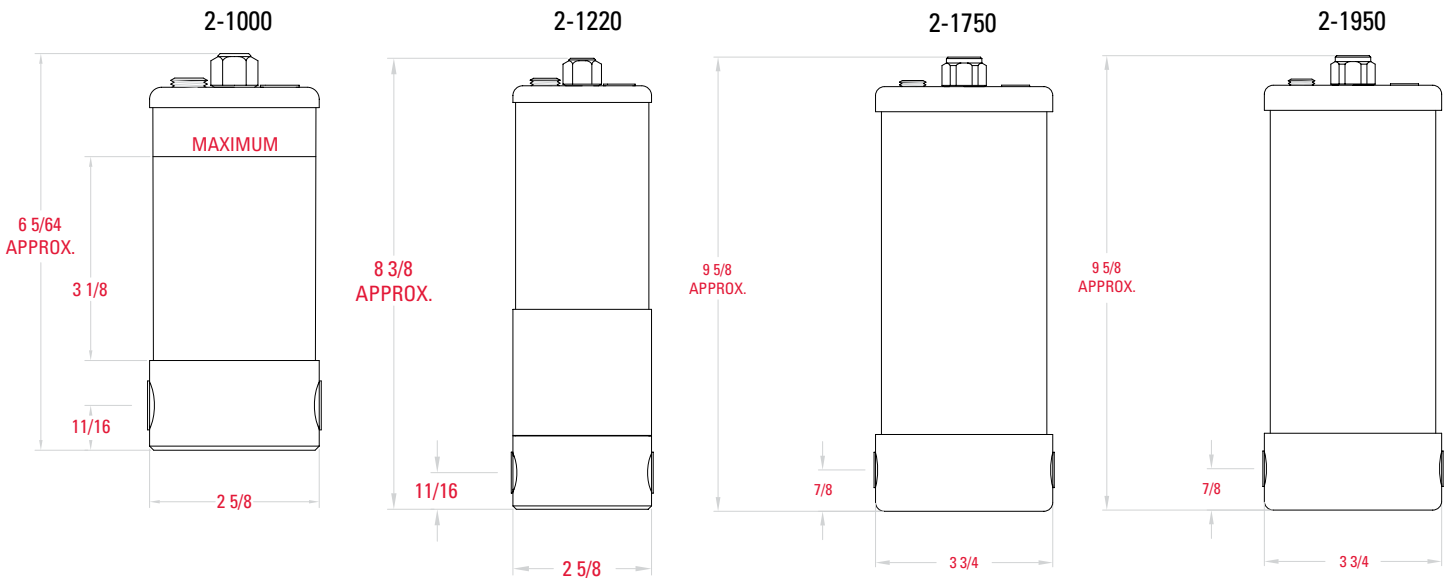
## Features

- Available with aluminum or polycarbonate bowls
- 'L' brackets and stud mount brackets available
- Available in capacities from 12 to 70 cubic inches (6.65 to 40.37 ounces)

## Materials of Construction

- Base, Head, Base Nut:** Machined Aluminum
- Bowl:** Polycarbonate or Machined Aluminum
- Stud:** Plated Steel or Brass
- Baffle Plate:** Aluminum
- Seals:** Buna-N (Fluorocarbon Available)

## Dimensions



## Ordering Information

Capacity		Bowl Type				Mounting Bracket		Bowl Kits	
Cu. In.	Oz.	Poly-carbonate	Poly w/ Bowl Guard	Aluminum	Aluminum w/ Sight Levels	Angle Bracket	Stud Mount	Poly-carbonate	Aluminum w/ Sight Levels
12	6.65	2-1000	2-1100	2-1200	2-1300	11038	11520	21561	21532
20	11.08	2-1020	2-1120	2-1220	2-1320				
45	24.93	2-1750	2-1850	2-1950	2-1951	15037		24555	24421
70	40.37	NA		2-1970	2-1971			NA	24559

### Caution

Bowl guards are recommended on all polycarbonate bowl filters! All bowl guards are made of heavy-duty stainless steel.

### Warning

Polycarbonate bowls can be damaged and may fail if they are exposed to or come in contact with solvents, strong alkalies, fire resistant and/or synthetic compressor lubricants.

**WARRANTY:** Monnier, Inc. warrants each product against defects in material and workmanship for a period of one year from the date of manufacture providing its use was in accordance with Monnier, Inc. recommendations. If the product fails to perform as warranted, Monnier, Inc. will, at its option, repair or replace the product free of charge. The company will not be liable for incidental or consequential damages. We make no other warranty, expressed or implied, including warranties of merchantability or fitness for a particular purpose.

# ACCESSORIES: Lockout Valves



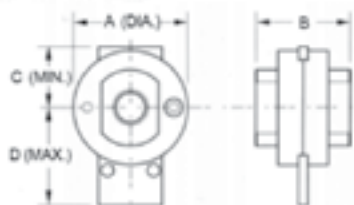
## Features

- Available in 1/8" through 1/2" NPT
- Relieve downstream pressure in closed position
- Can be locked in closed position for safety purposes

## Materials of Construction

**Body:** Machined Aluminum  
**Slide:** Brass  
**Seals:** Buna-N (Fluorocarbon Available)  
**Screws:** Black oxide coated screws

## Dimensions



**20-501/20-502**

**A:** 1-3/4 **B:** 1-3/8

**C:** 15/16 **D:** 1-9/16

**20-503/20-504**

**A:** 2-1/4 **B:** 1-7/8

**C:** 1-3/16 **D:** 1-15/16

## Ordering Information

# 20-501

Pipe Size		Anodizing	
1/8"	1	None	Blank
1/4"	2	Blue	A1
3/8"	3	Black	A2
1/2"	4	Clear	A3
		Green	A4
		Red	A5
		Yellow	A6
		Gold	A7
		Purple	A8

# ACCESSORIES: Drains



## Float Drains

Monnier float drains automatically discharge liquid from filters, drip legs and tanks.

## Features

- Stainless steel mesh screen protects float mechanism from particulate
- 1/4" or 1/2" female NPT inlet
- 1/8" NPT outlet
- Manual override
- Clear anodized housing standard



## Impulse Drains

Monnier impulse drains automatically discharge liquid from filters, drip legs and tanks.

## Features

- 1/8" Male NPT inlet
- Barb fitting for 3/16" ID tube outlet
- Clear anodized housing standard

## Materials of Construction

**Body:** Anodized Machined Aluminum  
**Float:** Acetal and Stainless Steel  
**Seals:** Buna-N (Fluorocarbon Available)

## Ordering Information

# 20-401

Pipe Size		OPTIONS	
1/4"	2	<b>Anodizing</b>	
1/2"	4	Clear (standard)	Blank
		Blue	A1
		Black	A2
		Green	A4
		Red	A5
		Yellow	A6
		Gold	A7
		Purple	A8
		<b>Seals</b>	
		Buna-N	Blank
		Fluorocarbon	V

## Materials of Construction

**Body:** Anodized Machined Aluminum  
**Internals:** Aluminum and Brass  
**Seals:** Buna-N (Fluorocarbon Available)

## Ordering Information

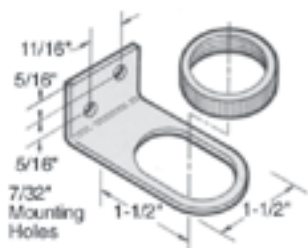
# 20-101

Pipe Size		OPTIONS	
1/4"	2	<b>Anodizing</b>	
1/2"	4	Clear (standard)	Blank
		Blue	A1
		Black	A2
		Green	A4
		Red	A5
		Yellow	A6
		Gold	A7
		Purple	A8
		<b>Seals</b>	
		Buna-N	Blank
		Fluorocarbon	V

# ACCESSORIES: Mounting

## BONNET MOUNTING TYPE

**FOR UNITS WITH:  
POLYCARBONATE BONNETS  
SERIES 101-3000,  
104-3100 and B01-3000**

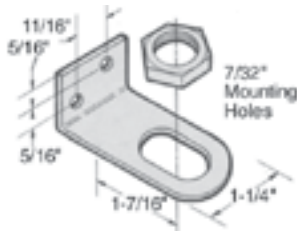


**Part# 13536**

**Panel Nut Only - Part #13133**

This is a zinc-plated steel bracket and aluminum panel nut. Panel nut may be anodized in any of eight colors.

**FOR UNITS WITH:  
ALUMINUM BONNETS  
SERIES 111-3000,  
102-3000, C01-3000,  
106-3100 and 114-3100**

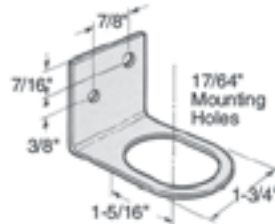


**Part# 13534**

**Panel Nut Only - Part #13025**

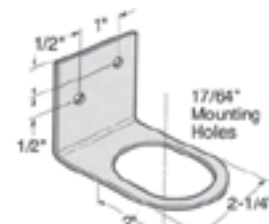
This is a zinc-plated steel bracket and aluminum panel nut. Panel nut may be anodized in any of eight colors.

**FOR USE WITH  
105/106-1000 SERIES  
REGULATORS**



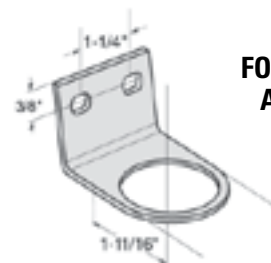
**Part# 11122**

**FOR USE WITH 102/103-1000  
and 117-4000/5000 PS  
SERIES REGULATORS**



**Part# 11123**

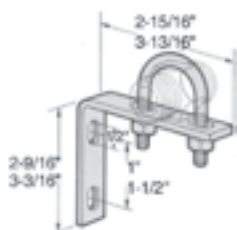
**FOR USE WITH B05-1000  
AND 108-1000 SERIES**



**# 11430**

## PIPE MOUNTING TYPE

**FOR USE WITH: 1000/4000/5000 SERIES**



**Part# 11543:** For pipe sizes 1/4", 3/8" and 1/2"

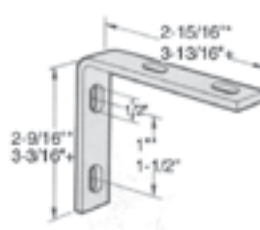
**Part# 11542:** For pipe sizes 3/4" and 1"

This is a zinc-plated steel bracket with U-bolt and lock nuts as shown.

The U-bolt fits around the inlet or outlet pipe, nipple, etc.

## ANGLE MOUNTING TYPE

**FOR USE WITH: 1000/2000/3000 SERIES**



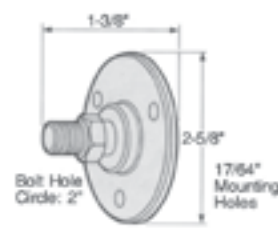
**Part# 11038:** Use with 1000/2000/3000 Series

**Part# 15037:** Use with 4000/5000 Series

**Note:** Filters and lubricators must be ordered with two 1/4-20 mounting holes on top surfaces. Add suffix "MH" to model number.

## STUD MOUNTING TYPE

**FOR USE WITH: 1000/4000/5000 SERIES**



**Part# 11520:** For 1/4", 3/8", 1/2", 3/4", and 1" (Aluminum construction)

These mounting brackets are designed to fit all regulators with 1/4" gauge ports. Remove the pipe plug in the back of the regulator and insert stud.

**Notes:**

1. For filters and lubricators, order with 1/4" NPT mounting holes on side surface. Add suffix "MS" to model number.
2. Cannot use "MH" or "MS" option with miniature lubricators. Could use pipe mounting type bracket #11543.

## ACCESSORIES: Pressure Drop Indicator



The Monnier pressure drop indicator is available as a separate device to measure the pressure drop across any pneumatic equipment.

### Operating Specifications

**Ports:** 1/8" Male NPT

**Part#:** 21540



# Air Line Modulares



**Each component is engineered to connect easily** without the use of inserts and special tools. Standard buttonhead screws are used to join components, combined with the new modular design ensures that Monnaire Modulares™ offer optimum stability and strength.

Components are available as preassembled **modular FRL assemblies** or in an unlimited combination of filters, regulators, lubricators and accessories. Each component is available with 3 bowl options – polycarbonate with guard (standard), metal bowl or with the CircleView bowl, allowing fluid to be viewed 360 degrees around the bowl. Each bowl is available with automatic, flexible or manual drain options.

A **manual shut off** with slide design is available. The off position relieves downstream pressure to all components allowing for service or repair.

# TABLE OF CONTENTS

<b>Modular Particulate Filters</b>	80	<b>Modular Coalescing</b>	
<b>Modular Coalescing Filters</b>	81, 82	<b>Filter/Regulators</b>	87, 88
<b>Modular Regulators</b>	83, 84	<b>Modular Combinations</b>	89, 90
<b>Modular Lubricators</b>	85	<b>Modular Accessories</b>	91, 92
<b>Modular Filter/Regulators</b>	86		

## Features

- O-ring on bowl
- Integral mounting holes
- Bayonet bowl guards
- Diverter block
- Simple manifold connections

## Benefits

- Mounts without brackets
- Quick on/off bowls
- Regulator mounts any direction
- Build any configuration

## Advantages

- More stable mounting
- Faster turns in maintenance
- Flexible assembly
- Eliminates frustration

## Maximum Pressure

Pressure in polycarbonate bowls:	150 psi
Pressure in metal bowls:	200 psi
Pressure in circle view bowls:	250 psi

## Maximum Temperature

Temperature in polycarbonate bowls:	120°F
Temperature in metal bowls:	120°F
Temperature in circle view bowls:	150°F

## Drains

Add Suffix "D" for impulse drain or Suffix "F" for float drain.

## Caution

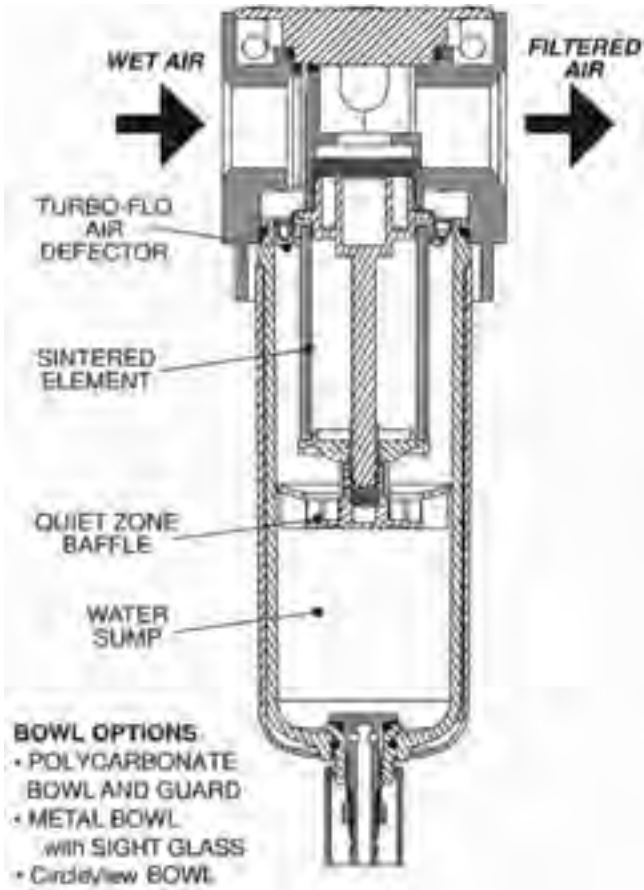
Bowl guards are recommended on all polycarbonate bowl filters! All bowl guards are made of heavy-duty stainless steel.

## Warning

Polycarbonate bowls can be damaged and may fail if they are exposed to or come in contact with solvents, strong alkalis, fire resistant and/or synthetic compressor lubricants.

**WARRANTY:** Monnier, Inc. warrants each product against defects in material and workmanship for a period of one year from the date of manufacture providing its use was in accordance with Monnier, Inc. recommendations. If the product fails to perform as warranted, Monnier, Inc. will, at its option, repair or replace the product free of charge. The company will not be liable for incidental or consequential damages. We make no other warranty, expressed or implied, including warranties of merchantability or fitness for a particular purpose.

# AIR LINE MODULARS: MODULAR PARTICULATE FILTERS



## Application

Primary air filters are designed to separate liquid water and rust, scale and debris from the air lines. They should be installed upstream of the regulator or lubricator to prevent contamination from reaching other components. Water is removed mechanically by the deflector which causes the air to move in a swirling motion. The condensed water droplets are then centrifugally impacted upon the I.D. of the bowl and migrate down past the quiet zone baffle to the water sump. Dry air passes through the sintered element utilizing depth filtration and removes debris down to the specified micron size.

## Features

- Two convenient sizes
- 5 micron sintered elements standard
- Can be installed as modular or individual unit
- Includes screws and o-rings for modular connection
- Manual or automatic drains
- Polycarbonate bowl standard
- Optional CircleView sight bowl
- Bowl seal held captive

## 22 SERIES FILTERS

3.8-OUNCE CAPACITY  
PIPE SIZE: 1/4, 3/8, 1/2"



PIPE SIZE	BOWL TYPE & MODEL NUMBER			FLOW CAPACITY	SCFM
	POLYCARBONATE W/BOWL GUARD	METAL	CIRCLE VIEW		
1/4"	222-2100-2	222-2300-2	222-2000-2	$C_v = 1.9$	45
3/8"	222-2100-3	222-2300-3	222-2000-3	$C_v = 2.6$	60
1/2"	222-2100-4	222-2300-4	222-2000-4	$C_v = 3.0$	70

## 32 SERIES FILTERS

8.5-OUNCE CAPACITY  
PIPE SIZE: 1/2, 3/4"

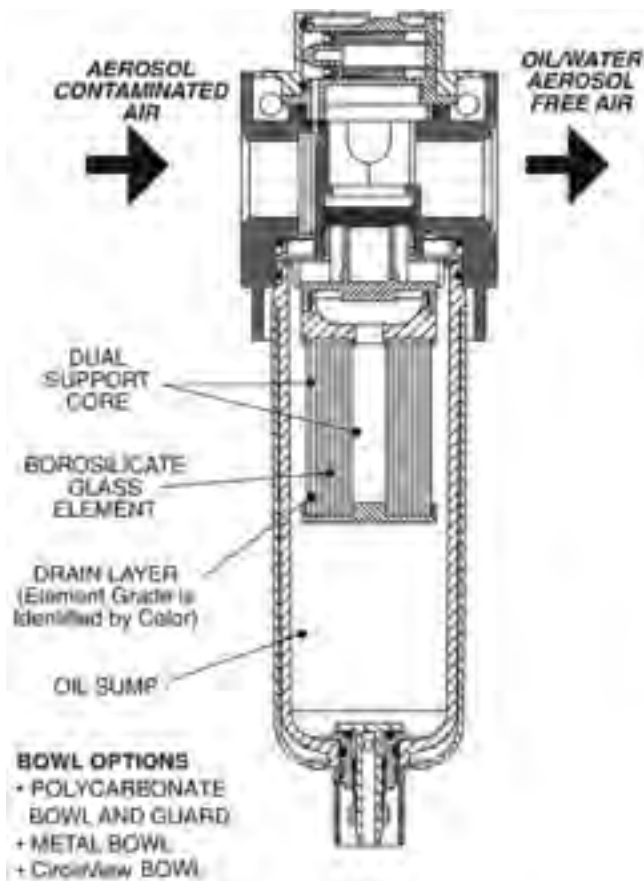


PIPE SIZE	BOWL TYPE & MODEL NUMBER			FLOW CAPACITY	SCFM
	POLYCARBONATE W/BOWL GUARD	METAL	CIRCLE VIEW		
1/2"	232-1100-4	232-1300-4	232-1000-4	$C_v = 4.5$	105
3/4"	232-1100-6	232-1300-6	232-1000-6	$C_v = 4.7$	110

**Note:** Flow ratings based on 100 PSIG Inlet and 5 PSID.



# AIR LINE MODULARS: MODULAR COALESCING FILTERS



## Application

The coalescing filter is utilized when the cleanest air possible is required. This type of filter removes water and oil aerosols. Working differently than the particulate filter; oily air enters the element from its center and passes through a field of glass fibers which cause the aerosols to form into heavier-than-air droplets. The droplets grow larger as they pass through the element and gravity drains the oil drops to the sump of the bowl. With the harmful oil varnishes and contaminants that attack seals and gaskets now removed, the valve and cylinder is much less likely to stick. To maximize the life of a coalescing filter it should always be used after a 5 micron filter.

## Features

- Two convenient sizes
- Cartridge element design
- Inner/outer support cores prevent element from crushing in either flow direction
- Available with manual or automatic drain
- Optional CircleView sight bowl
- Differential pressure indicator standard

## Recommended Uses

**0.7 Micron Element**, identified by its BLUE drain layer, is a relatively coarse coalescing filter for large amounts of water, rust, pipe scale and hydrocarbons. Excellent filter for environments that have severe contamination. Can be used for lubricated or "dry" systems. Mainline filtration of plant air.

**0.3 Micron Element**, identified by its GREEN drain layer, is a fine filter for cylinders or valves especially when the circuit is being run without lubrication ("dry"). Excellent filters for desiccant or regenerative style filters.

**0.01 Micron Element**, identified by its RED drain layer, is an ultrafine filter for oil free instrumentation air, blow molding, food and drug packaging, electronics applications, and other applications requiring maximum contamination removal.

**Adsorber Element**, identified by its WHITE drain layer, is an adsorbing filter that utilizes activated carbon to deodorize compressed air. Typically, it is used to protect worker environments, food and drug applications and instrumentation for analytical instruments. Life expectancy is approximately 3 months at rated flow.

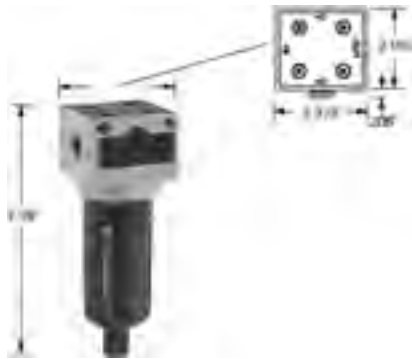
## Prefilter Option - Suffix "E"

All models can be equipped with an optional internal prefilter. The prefilter provides additional protection for the fine borosilicate fibers. For most applications, a separate 5 micron particulate filter is not required.

# AIR LINE MODULARS: MODULAR COALESCING FILTERS

## 22 SERIES COALESCING FILTERS

3.8-OUNCE CAPACITY  
PIPE SIZE: 1/4, 3/8, 1/2"



## 32 SERIES COALESCING FILTERS

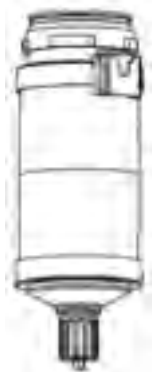
8.5-OUNCE CAPACITY  
PIPE SIZE: 1/2, 3/4"



ELEMENT RATING:					
PIPE SIZE	BOWL TYPE & MODEL NUMBER			FLOW CAPACITY	SCFM
<b>0.7 MICRON</b>					
	POLYCARBONATE W/BOWL GUARD	METAL	CIRCLE VIEW		
1/4"	222-2107-2	222-2307-2	222-2007-2	$C_v = 2.0$	25
3/8"	222-2107-3	222-2307-3	222-2007-3		
1/2"	222-2107-4	222-2307-4	222-2007-4		
<b>0.3 MICRON</b>					
	POLYCARBONATE W/BOWL GUARD	METAL	CIRCLE VIEW		
1/4"	222-2103-2	222-2303-2	222-2003-2	$C_v = 1.2$	15
3/8"	222-2103-3	222-2303-3	222-2003-3		
1/2"	222-2103-4	222-2303-4	222-2003-4		
<b>0.01 MICRON</b>					
	POLYCARBONATE W/BOWL GUARD	METAL	CIRCLE VIEW		
1/4"	222-2101-2	222-2301-2	222-2001-2	$C_v = 0.7$	9
3/8"	222-2101-3	222-2301-3	222-2001-3		
1/2"	222-2101-4	222-2301-4	222-2001-4		
<b>VAPOR ADSORBER</b>					
	POLYCARBONATE W/BOWL GUARD	METAL	CIRCLE VIEW		
1/4"	222-210A-2	222-230A-2	222-200A-2	$C_v = -$	-
3/8"	222-210A-3	222-230A-3	222-200A-3		
1/2"	222-210A-4	222-230A-4	222-200A-4		

ELEMENT RATING:					
PIPE SIZE	BOWL TYPE & MODEL NUMBER			FLOW CAPACITY	SCFM
<b>0.7 MICRON</b>					
	POLYCARBONATE W/BOWL GUARD	METAL	CIRCLE VIEW		
1/2"	232-1107-4	232-1307-4	232-1007-4	$C_v = 5.3$	70
3/4"	232-1107-6	232-1307-6	232-1007-6		
<b>0.3 MICRON</b>					
	POLYCARBONATE W/BOWL GUARD	METAL	CIRCLE VIEW		
1/2"	232-1103-4	232-1303-4	232-1003-4	$C_v = 3.7$	48
3/4"	232-1103-6	232-1303-6	232-1003-6		
<b>0.01 MICRON</b>					
	POLYCARBONATE W/BOWL GUARD	METAL	CIRCLE VIEW		
1/2"	232-1101-4	232-1301-4	232-1001-4	$C_v = 2.0$	25
3/4"	232-1101-6	232-1301-6	232-1001-6		
<b>VAPOR ADSORBER</b>					
	POLYCARBONATE W/BOWL GUARD	METAL	CIRCLE VIEW		
1/2"	232-110A-4	232-130A-4	232-100A-4	$C_v = -$	45
3/4"	232-110A-6	232-130A-6	232-100A-6		

- Flow Ratings based upon 100 PSIG inlet and 1.5 PSID
- .3 Micron element standard



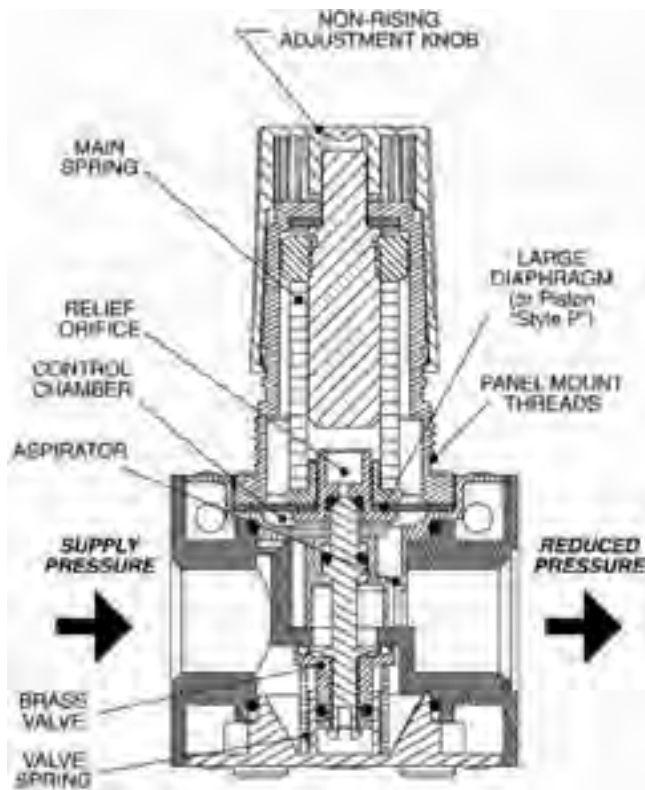
### ◀ CircleView Sight Bowl

The Monnaie Modular™ CircleView Sight Bowl utilizes a dual bowl configuration to eliminate the bowl guard or sight glass. This allows the strength and security of an interior metal bowl to be used with the exterior convenience of polycarbonate. Water condensation and contaminants in filter bowls and the oil level in the lubricator bowls can be seen for 360 degrees around the unit. This lowers maintenance cost by allowing easy detection of units that require service.

### Metal Bowl with Sight Glass ▶



# AIR LINE MODULARS: MODULAR REGULATORS



**MAXIMUM PRIMARY PRESSURE:**  
200 psi  
**MAXIMUM OPERATING TEMPERATURE:**  
120°F

- To order with a gauge, add Suffix "G"
- To order with panel nut, add Suffix "P"
- To order with check valve, add "C" after the 3rd digit
- To order with piston, add "P" after the 3rd digit
- To order with tamperproof option, add suffix "T"

## Application

Regulators are used to reduce pressure to a required working pressure. Utilizing optimum pressure can save companies both component life and many dollars in compressed air costs. Regulators consist of a diaphragm, which floats between a main spring (top) and a valve (bottom). By turning the adjustment handle clockwise, the main spring is forced onto the rubber diaphragm which, in turn, is pressed onto the valve stem. When the spring pressure becomes greater than the air pressure in the control chamber below the diaphragm, the valve is forced down and flow begins. As flow continues, the pressure begins to build up and air, via the aspirator tube, fills the control chamber and forces the diaphragm upward. As forces balance, the small spring under the valve piston causes the valve to close. The cycle continues in a balanced process of reducing or increasing flow based upon the down stream pressure.

## Features

- Two convenient sizes
- High flow in compact size
- Locking adjustment knob
- Four different pressure ratings available
- Can be installed as modular or individual unit
- Standard output pressure 0-125 PSIG

## Internal Check Valve

The 22 and 32 Series are offered with an optional internal check valve. This allows the regulator to function between a valve and cylinder and not be damaged by the constant change in direction of flow. Excellent for applications where multiple pressures are required from one supply valve.

# AIR LINE MODULARS: MODULAR REGULATORS

## 22 SERIES REGULATOR

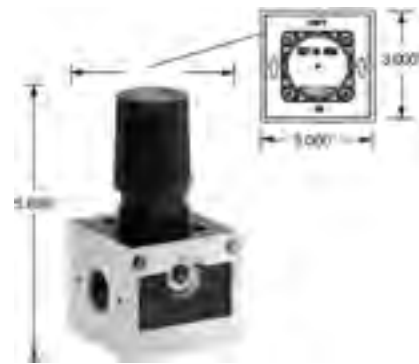
PIPE SIZE: 1/4, 3/8, 1/2"



PIPE SIZE	MODEL NUMBER		GAUGE PRESSURE RANGE (PSIG)
	RELIEVING	NON-RELIEVING	
1/4"	122-2000-2	122-2001-2	0-125
3/8"	122-2000-3	122-2001-3	
1/2"	122-2000-4	122-2001-4	
1/4"	122-2002-2	122-2003-2	0-60
3/8"	122-2002-3	122-2003-3	
1/2"	122-2002-4	122-2003-4	
1/4"	122-2004-2	122-2005-2	0-25
3/8"	122-2004-3	122-2005-3	
1/2"	122-2004-4	122-2005-4	

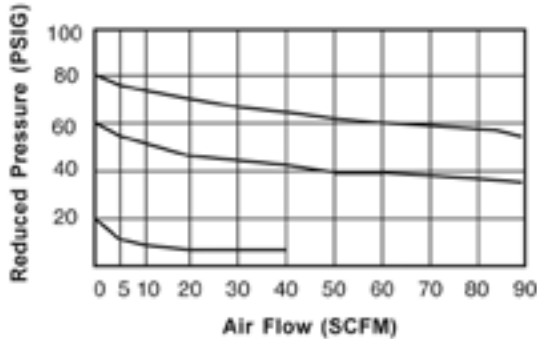
## 32 SERIES REGULATOR

PIPE SIZE: 1/2, 3/4"

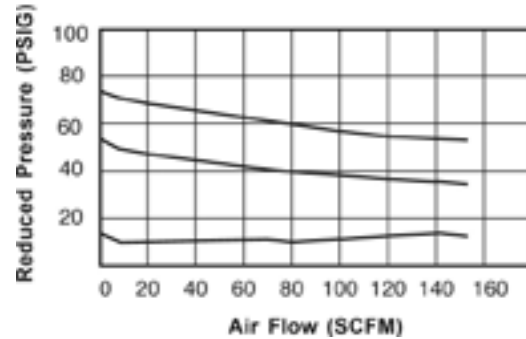


PIPE SIZE	MODEL NUMBER		GAUGE PRESSURE RANGE (PSIG)
	RELIEVING	NON-RELIEVING	
1/2"	132-1000-4	132-1001-4	0-125
3/4"	132-1000-6	132-1001-6	
1/2"	132-1002-4	132-1003-4	0-60
3/4"	132-1002-6	132-1003-6	
1/2"	132-1004-4	132-1005-4	0-25
3/4"	132-1004-6	132-1005-6	
1/2"	132-1006-4	132-1007-4	0-200
3/4"	132-1006-6	132-1007-6	

### Flow Characteristics

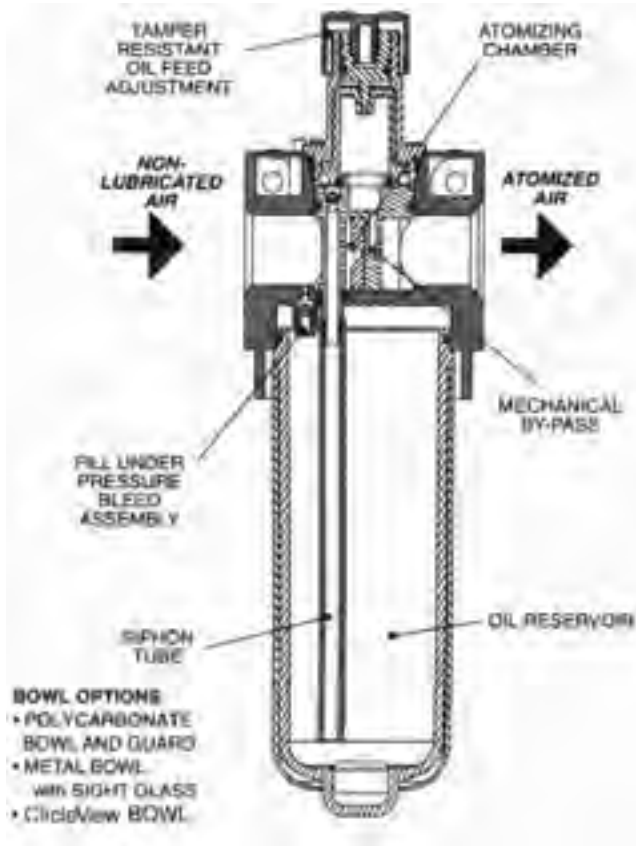


### Flow Characteristics



- Flows are at 100 PSIG and a 25% PSID.

# AIR LINE MODULARS: MODULAR LUBRICATORS



## Application

Usually mounted third in the F-R-L series, the lubricator is designed to inject oil aerosols into the air stream of a pneumatic circuit. As air flows from the regulator, some air is divided from the main orifice and is allowed to flow through the fill under pressure bleed assembly and pressurizes the bowl. This forces oil up in the siphon tube past a flow check and into the integral valve/sight dome. The oil then drops through the valve and into the atomization chamber at a rate that is automatically proportional to the airflow. This virtually eliminates the need for readjustment. The Monnaire Modulares™ lubricator can begin delivering lubrication at flows less than 2 SCFM.

## Features

- Two convenient sizes
- Lubrication to begin at less than 2 SCFM
- Fillable under pressure
- Tamper-resistant knob standard
- Available with CircleView sight bowl
- Can be mounted as a modular or individual unit
- Button Head Fill option on both sizes
- Atomizing chamber develops longer life aerosols

## 22 SERIES LUBRICATOR

3.8-OUNCE CAPACITY  
PIPE SIZE: 1/4, 3/8, 1/2"



PIPE SIZE	BOWL TYPE & MODEL NUMBER			FLOW CAPACITY	SCFM
	POLYCARBONATE W/BOWL GUARD	METAL	CIRCLE VIEW		
1/4"	322-2100-2	322-2300-2	322-2000-2	C <sub>v</sub> = 1.9	40
3/8"	322-2100-3	322-2300-3	322-2000-3	C <sub>v</sub> = 3.0	70
1/2"	322-2100-4	322-2300-4	322-2000-4	C <sub>v</sub> = 4.4	100

## 32 SERIES LUBRICATOR

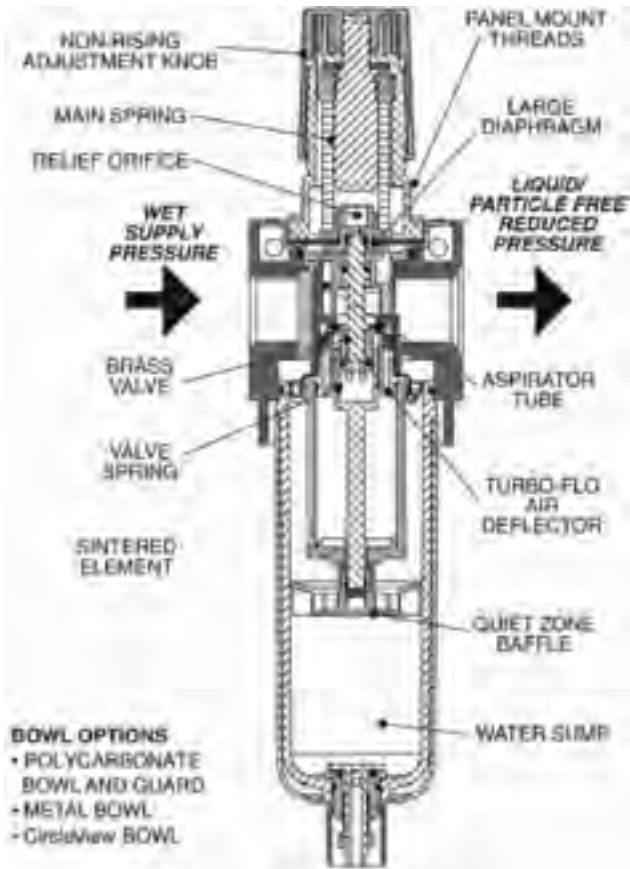
8.5-OUNCE CAPACITY  
PIPE SIZE: 1/2, 3/4"



PIPE SIZE	BOWL TYPE & MODEL NUMBER			FLOW CAPACITY	SCFM
	POLYCARBONATE W/BOWL GUARD	METAL	CIRCLE VIEW		
1/2"	332-1100-4	332-1300-4	332-1000-4	C <sub>v</sub> = 4.7	110
3/4"	332-1100-6	332-1300-6	332-1000-6	C <sub>v</sub> = 7.3	150

- To order with a manual drain, add suffix "K".
- To order with a Quick Fill Button Head, add suffix "Q".

# AIR LINE MODULARS: MODULAR FILTER/REGULATORS



## Application

The integral filter/regulator is a two-station component designed to filter and regulate compressed air when cost and space are a primary concern. As dirty, wet air enters, it immediately flows through the air deflector causing the air to move in a swirling motion. After condensed water is centrifugally removed, air passes through the filter and into the regulator. The high pressure air is systematically reduced via the adjustment spring and valve and exits the housing as clean and dry air that is ready to work at the specified pressure.

## Features

- Two convenient sizes
- 5 micron sintered elements standard
- Can be installed as modular or individual unit
- Non-rising knob
- Standard output pressure 0-125 PSIG
- Bowl seals held captive

## 22 SERIES FILTER/REGULATOR

3.8-OUNCE CAPACITY  
PIPE SIZE: 1/4, 3/8, 1/2"



PIPE SIZE	BOWL TYPE & MODEL NUMBER			SCFM AT REDUCED PRESSURE OF		
	POLYCARBONATE W/BOWL GUARD	METAL	CIRCLE VIEW	25 PSIG	60 PSIG	80 PSIG
1/4"	FR22-2100-2	FR22-2300-2	FR22-2000-2	40	50	65
3/8"	FR22-2100-3	FR22-2300-3	FR22-2000-3	60	70	75
1/2"	FR22-2100-4	FR22-2300-4	FR22-2000-4	60	70	75

## 32 SERIES FILTER/REGULATOR

8.5-OUNCE CAPACITY  
PIPE SIZE: 1/2, 3/4"

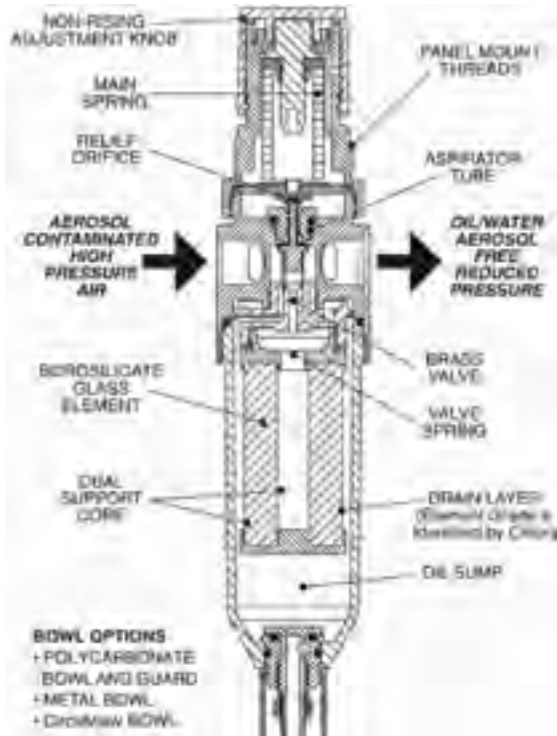


PIPE SIZE	BOWL TYPE & MODEL NUMBER			SCFM AT REDUCED PRESSURE OF		
	POLYCARBONATE W/BOWL GUARD	METAL	CIRCLE VIEW	25 PSIG	60 PSIG	80 PSIG
1/2"	FR32-1100-4	FR32-1300-4	FR32-1000-4	100	115	130
3/4"	FR32-1100-6	FR32-1300-6	FR32-1000-6	100	115	130

- See Monnaire Modular™ Regulators for "Flow Characteristics".
- Flows are at 100 PSIG and a 25% PSID.



# AIR LINE MODULARS: MODULAR COALESCING FILTER/REGULATORS



## Features

- Cartridge element design
- Inner and outer support cores prevent element from crushing in either flow direction
- Connects to modular design
- Four element grades available

## Application

Monnier's Monnaie Modular™ Coalescer/Regulator is a two-station point of use air preparation system designed to provide superior filtration and regulation in one compact housing. Available with four different element choices, the Coalescer/Regulator can be specified to attack and remove the exact type of contamination that is critical to the specific application.

## Element Performance Data

Performance of any coalescing filter is in relationship to the velocity of the air passing through (inside to outside) the element. Since velocity and  $\Delta P$  are directly proportional (the higher the pressure the higher the velocity), we must size filters according to the flow at the optimum pressure rather than at maximum velocity to atmosphere. Tests indicate the most effective  $\Delta P$  for removing aerosols and contaminants from an airline is 1.5 PSI or less. This indicates that the filters are capable of flowing much more air than is recommended for maximum contamination removal. In the individual Monnaie Modular™ filter sections of the catalog, we have included the Cv ratings on all our coalescing filters. This allows an exact determination of flow based upon known parameters.

## Recommended Uses

**0.7 Micron Element**, identified by its BLUE drain layer, is a relatively coarse coalescing filter for large amounts of water, rust, pipe scale and hydrocarbons. Excellent filter for environments that have severe contamination. Can be used for lubricated or "dry" systems. Mainline filtration of plant air.

**0.3 Micron Element**, identified by its GREEN drain layer, is a fine filter for cylinders or valves especially when the circuit is being run without lubrication ("dry"). Excellent filters for desiccant or regenerative style filters.

**0.01 Micron Element**, identified by its RED drain layer, is an ultrafine filter for oil free instrumentation air, blow molding, food and drug packaging, electronics applications and other applications requiring maximum contamination removal.

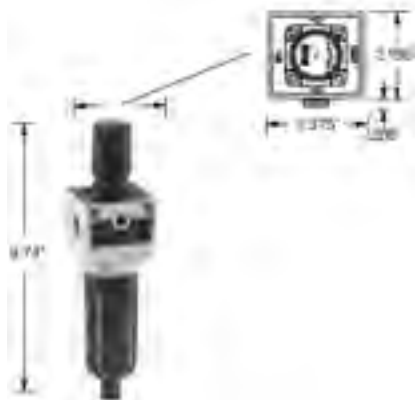
**Adsorber Element**, identified by its WHITE drain layer, is an adsorbing filter that utilizes activated carbon to deodorize compressed air. Typically, it is used to protect worker environments, food and drug applications and instrumentation for analytical instruments. Life expectancy is approximately 3 months at rated flow.



# AIR LINE MODULARS: MODULAR COALESCING FILTER/REGULATORS

## 22 SERIES COALESCER/REGULATOR

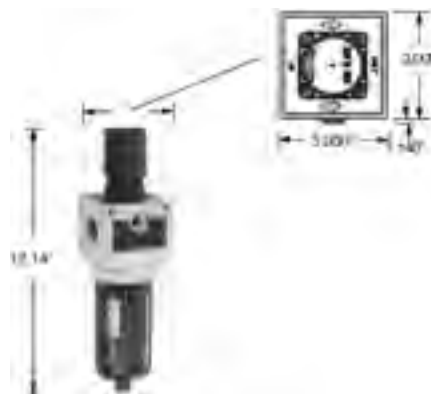
3.8-OUNCE CAPACITY  
PIPE SIZE: 1/4, 3/8, 1/2"



ELEMENT RATING:						
PIPE SIZE	BOWL TYPE & MODEL NUMBER			SCFM AT 100 PSIG INLET & 1.5 PSID ACROSS THE ELEMENT		
<b>0.7 MICRON</b>						
POLYCARBONATE W/BOWL GUARD	METAL	CIRCLE VIEW		25	60	100
1/4"	FR22-2107-2	FR22-2307-2	FR22-2007-2	20	26	34
3/8"	FR22-2107-3	FR22-2307-3	FR22-2007-3			
1/2"	FR22-2107-4	FR22-2307-4	FR22-2007-4			
<b>0.3 MICRON</b>						
POLYCARBONATE W/BOWL GUARD	METAL	CIRCLE VIEW				
1/4"	FR22-2103-2	FR22-2303-2	FR22-2003-2	8	11	15
3/8"	FR22-2103-3	FR22-2303-3	FR22-2003-3			
1/2"	FR22-2103-4	FR22-2303-4	FR22-2003-4			
<b>0.01 MICRON</b>						
POLYCARBONATE W/BOWL GUARD	METAL	CIRCLE VIEW				
1/4"	FR22-2101-2	FR22-2301-2	FR22-2001-2	3	5	6
3/8"	FR22-2101-3	FR22-2301-3	FR22-2001-3			
1/2"	FR22-2101-4	FR22-2301-4	FR22-2001-4			
<b>VAPOR ADSORBER</b>						
POLYCARBONATE W/BOWL GUARD	METAL	CIRCLE VIEW				
1/4"	FR22-210A-2	FR22-230A-2	FR22-200A-2	8	11	15
3/8"	FR22-210A-3	FR22-230A-3	FR22-200A-3			
1/2"	FR22-210A-4	FR22-230A-4	FR22-200A-4			

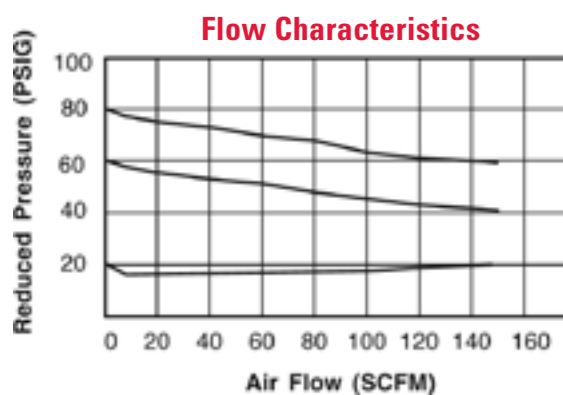
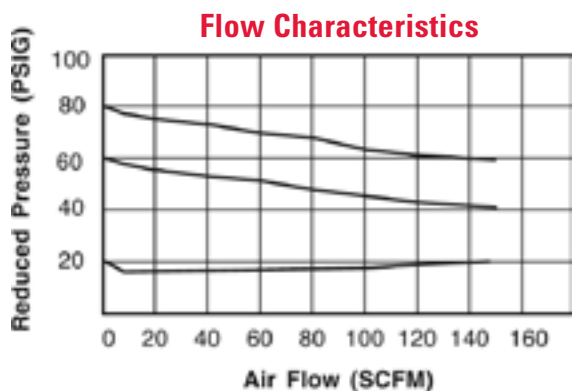
## 32 SERIES COALESCER/REGULATOR

8.5-OUNCE CAPACITY  
PIPE SIZE: 1/2, 3/4"



ELEMENT RATING:						
PIPE SIZE	BOWL TYPE & MODEL NUMBER			SCFM AT 100 PSIG INLET & 1.5 PSID ACROSS THE ELEMENT		
<b>0.7 MICRON</b>						
POLYCARBONATE W/BOWL GUARD	METAL	CIRCLE VIEW		25	60	100
1/2"	FR32-1107-4	FR32-1307-4	FR32-1007-4	45	70	90
3/4"	FR32-1107-6	FR32-1307-6	FR32-1007-6			
<b>0.3 MICRON</b>						
POLYCARBONATE W/BOWL GUARD	METAL	CIRCLE VIEW				
1/2"	FR32-1103-4	FR32-1303-4	FR32-1003-4	28	40	55
3/4"	FR32-1103-6	FR32-1303-6	FR32-1003-6			
<b>0.01 MICRON</b>						
POLYCARBONATE W/BOWL GUARD	METAL	CIRCLE VIEW				
1/2"	FR32-1101-4	FR32-1301-4	FR32-1001-4	15	24	28
3/4"	FR32-1101-6	FR32-1301-6	FR32-1001-6			
<b>VAPOR ADSORBER</b>						
POLYCARBONATE W/BOWL GUARD	METAL	CIRCLE VIEW				
1/2"	FR32-110A-4	FR32-130A-4	FR32-100A-4	28	40	55
3/4"	FR32-110A-6	FR32-130A-6	FR32-100A-6			

Note: To order with prefilter, add suffix "E".



# AIR LINE MODULARS: MODULAR COMBINATIONS

## ASSEMBLY OPTIONS

MODEL CODE EXAMPLE:

**A22-VFRL-2**

**C** = Coalescer/Regulator Piggyback  
**D** = Diverter Block  
**E** = Diverter Plate  
**F** = Filter  
**FF** = Particulate & Coalescing Filters  
**L** = Lubricators  
**P** = Filter/Regulator Piggyback  
**R** = Regulator  
**V** = Shutoff Valve

### SUFFIXES

Description	Suffix
Impulse Drain	<b>D</b>
Automatic Float Drain	<b>F</b>
Metal Bowl	<b>M</b>
CircleView Bowl	<b>C</b>

## SHUT OFF-FILTER REGULATOR-LUBRICATOR WITH GAUGE



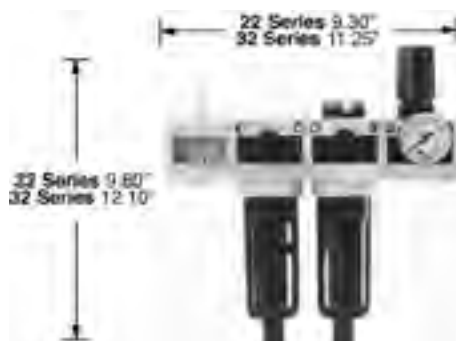
PIPE SIZE	MODEL NUMBER	
	<b>22 SERIES</b>	
	<b>W/ SHUTOFF</b>	<b>W/O SHUTOFF</b>
1/4"	A22-VFRL-2	A22-FRL-2
3/8"	A22-VFRL-3	A22-FRL-3
1/2"	A22-VFRL-4	A22-FRL-4
	<b>32 SERIES</b>	
1/2"	A32-VFRL-4	A32-FRL-4
3/4"	A32-VFRL-6	A32-FRL-6

## SHUT OFF-FILTER/REGULATOR DIVERTER BLOCK-LUBRICATOR WITH GAUGE



PIPE SIZE	MODEL NUMBER	
	<b>22 SERIES</b>	
	<b>W/ SHUTOFF</b>	<b>W/O SHUTOFF</b>
1/4"	A22-VPDL-2	A22-PDL-2
3/8"	A22-VPDL-3	A22-PDL-3
1/2"	A22-VPDL-4	A22-PDL-4
	<b>32 SERIES</b>	
1/2"	A32-VPDL-4	A32-PDL-4
3/4"	A32-VPDL-6	A32-PDL-6

## SHUT OFF-FILTER-COALESING FILTER-REGULATOR WITH GAUGE



PIPE SIZE	MODEL NUMBER	
	<b>22 SERIES</b>	
	<b>W/ SHUTOFF</b>	<b>W/O SHUTOFF</b>
1/4"	A22-VFFR-2	A22-FFR-2
3/8"	A22-VFFR-3	A22-FFR-3
1/2"	A22-VFFR-4	A22-FFR-4
	<b>32 SERIES</b>	
1/2"	A32-VFFR-4	A32-FFR-4
3/4"	A32-VFFR-6	A32-FFR-6

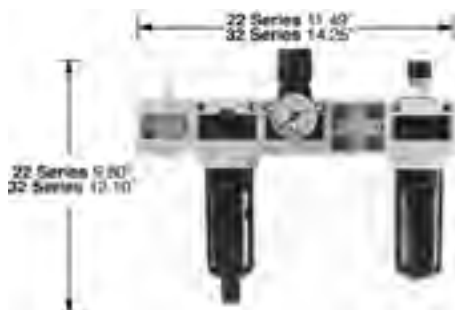
## SHUT OFF-COALESCE/REGULATOR REGULATOR-LUBRICATOR WITH GAUGE



PIPE SIZE	MODEL NUMBER	
	<b>22 SERIES</b>	
	<b>W/ SHUTOFF</b>	<b>W/O SHUTOFF</b>
1/4"	A22-VCL-2	A22-CL-2
3/8"	A22-VCL-3	A22-CL-3
1/2"	A22-VCL-4	A22-CL-4
	<b>32 SERIES</b>	
1/2"	A32-VCL-4	A32-CL-4
3/4"	A32-VCL-6	A32-CL-6

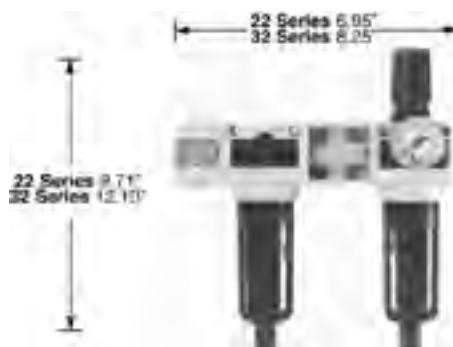
# AIR LINE MODULARS: MODULAR COMBINATIONS

## SHUT OFF-FILTER-REGULATOR-DIVERTER BLOCK-LUBRICATOR WITH GAUGE



PIPE SIZE	MODEL NUMBER	
<b>22 SERIES</b>		
	<b>W/ SHUTOFF</b>	<b>W/O SHUTOFF</b>
1/4"	A22-VFRDL-2	A22-FRDL-2
3/8"	A22-VFRDL-3	A22-FRDL-3
1/2"	A22-VFRDL-4	A22-FRDL-4
<b>32 SERIES</b>		
1/2"	A32-VFRDL-4	A32-FRDL-4
3/4"	A32-VFRDL-6	A32-FRDL-6

## SHUT OFF-FILTER-DIVERTER BLOCK COALESCER/REGULATOR WITH GAUGE



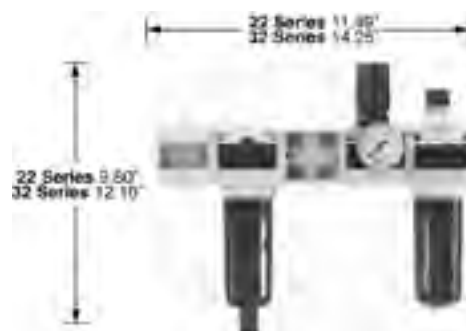
PIPE SIZE	MODEL NUMBER	
<b>22 SERIES</b>		
	<b>W/ SHUTOFF</b>	<b>W/O SHUTOFF</b>
1/4"	A22-VFDC-2	A22-FDC-2
3/8"	A22-VFDC-3	A22-FDC-3
1/2"	A22-VFDC-4	A22-FDC-4
<b>32 SERIES</b>		
1/2"	A32-VFDC-4	A32-FDC-4
3/4"	A32-VFDC-6	A32-FDC-6

## SHUT OFF-FILTER/REGULATOR-LUBRICATOR WITH GAUGE



PIPE SIZE	MODEL NUMBER	
<b>22 SERIES</b>		
	<b>W/ SHUTOFF</b>	<b>W/O SHUTOFF</b>
1/4"	A22-VPL-2	A22-PL-2
3/8"	A22-VPL-3	A22-PL-3
1/2"	A22-VPL-4	A22-PL-4
<b>32 SERIES</b>		
1/2"	A32-VPL-4	A32-PL-4
3/4"	A32-VPL-6	A32-PL-6

## SHUT OFF-FILTER DIVERTER BLOCK REGULATOR-LUBRICATOR WITH GAUGE



PIPE SIZE	MODEL NUMBER	
<b>22 SERIES</b>		
	<b>W/ SHUTOFF</b>	<b>W/O SHUTOFF</b>
1/4"	A22-VFDRL-2	A22-FDRL-2
3/8"	A22-VFDRL-3	A22-FDRL-3
1/2"	A22-VFDRL-4	A22-FDRL-4
<b>32 SERIES</b>		
1/2"	A32-VFDRL-4	A32-FDRL-4
3/4"	A32-VFDRL-6	A32-FDRL-6

## MONNAIRE MODULAR™ T-HANDLE DRIVERS

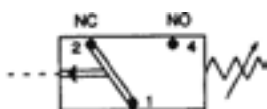
For easy assembly or disassembly of Monnaie Modular™ combinations, we recommend T-Handle drivers. For your convenience, we offer both sizes required.

SERIES	MODEL NUMBER	SIZE RANGE
22	TH-22	3.0 mm
32	TH-32	4.0 mm



## MONNAIRE MODULAR™ PRESSURE SWITCHES

NORMALLY OPEN OR NORMALLY CLOSED



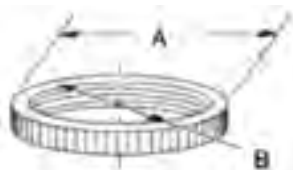
## APPLICATION

Monnier's line of pressure switches is designed for accurate indication that proper system pressure is being achieved. Available in 1/8" or 1/4" threads, it is easily incorporated into an air system using a diverter plate or other manifold. With its rugged housing made from zinc coated steel, Monnier's pressure switches are designed for industrial multi-million cycle applications. The four pin connector plug is included and contains a key way preventing accidental misconnection. Pressure adjustment is tamper resistant hindering unauthorized changes. It can be wired in either normally open or normally closed configurations and includes a case ground pin.

## SPECIFICATIONS

- Contact Rating: 4 A @ 250 VAC
- Protection: IP 65, terminals IP00
- Maximum Operation: 200/min
- Temperature Range: 0° F to 190° F/-15° C to 85° C
- Maximum Pressure: 300 PSI/20 BAR
- Maximum Voltage: 250 VAC/200 DC
- Hysteresis Adjustment: 15%
- Connector Material: Polyamid
- Diaphragm Material: Buna N
- Housing Material: Zinc Plated Steel

## PANEL MOUNT NUT



SERIES	MODEL DIA.	HOLE	A	B
22	PN-22	1.31"	1.50"	1-1/4-16
32	PN-32	1.77"	2.05"	1-3/4-16

THREAD NPT	MODEL NO. PSIG 180	PSIG	DIMENSIONS		
			A	B	C
1/8"	PS180B-1	4-20	2.5	1.0	3.1
1/8"	PS180C-1	14-150	2.5	1.0	3.1
1/4"	PS180B-2	4-20	2.5	1.0	3.1
1/4"	PS180C-2	14-150	2.5	1.0	3.1
METRIC G-TAP	MODEL NO. PSIG 180	PSIG	A	B	C
1/4"	PSG180B-2	4-20	2.3	1.0	2.9
1/4"	PSG180C-2	14-150	2.3	1.0	2.9

REPLACEMENT CAP PS-180

# AIR LINE MODULARS: MODULAR ACCESSORIES

## DIVERTER BLOCKS

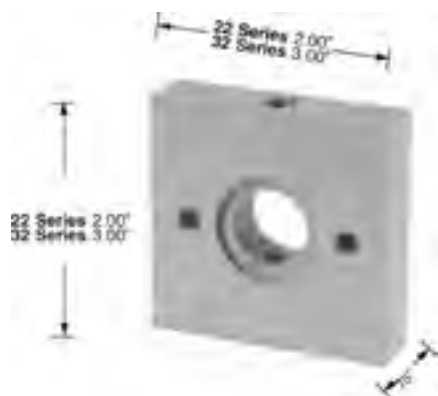
Designed to give Monnaire Modulares™ components total versatility, the diverter block mounts directly inline with the FRL combination. Additional components can then be manifold mounted in a compact manner that doesn't cause excessive pressure drop. There are two available ports per unit; both are tapered for standard service.



MODEL NUMBER			
SERIES	NPTF	G TAP	PORTS
22	DB-22	DBG-22	Tapped 1/2" NPTF in and out with two 3/8" NPTF branches.
32	DB-32	DBG-32	Tapped 3/4" NPTF in and out with two 1/2" NPTF branches.

## DIVERTER PLATES

Monnaire Modular™ Diverter Plates are designed to provide air signals in compact space. Used individually or in combination they can be used with gauges or switches to determine a pressure or  $\Delta P$  signal.



MODEL NUMBER			
SERIES	NPTF	G TAP	OUTLET PORTS
22	DP-22	DPG-22	1/8"
32	DP-32	DPG-32	1/8"

## SHUT-OFF VALVE

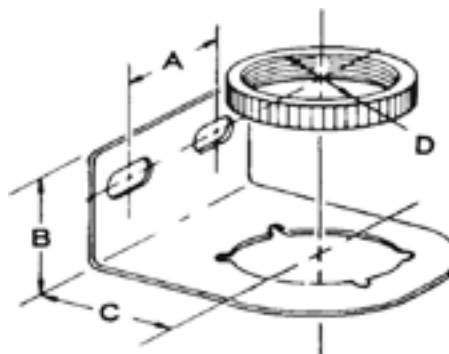
### Features

- Cartridge element design
- Inner and outer support cores prevent element from crushing in either flow direction
- Connects to modular design
- Four element grades available



MODEL NUMBER			
SERIES	NPTF	G TAP	PORTS
22	V22-2	VG22-2	1/4"
	V22-3	VG22-3	3/8"
	V22-4	VG22-4	1/2"
32	V32-4	VG32-4	1/2"
	V32-6	VG32-6	3/4"

## MOUNTING BRACKETS



		DIMENSIONS			
SERIES	MODEL NO.	A	B	C	D
22	MB-22	.69"	1.06"	1.25"	1-1/4"-16
32	MB-32	1.63"	1.20"	1.50"	1-3/4"-16

**Application:** Mounts between two units

The background is a solid red color with a faint, stylized pattern of the American flag, including stars and stripes. The text is centered in the middle of the page.

**MONNIER IS  
PROUD TO BE MADE  
IN AMERICA!**



## Custom Solutions

Monnier has become known as the air preparation manufacturer where “custom solutions become standard” because of its extensive expertise in developing application specific products for customers.

The following provides just a few examples of the custom product solutions Monnier has developed:

### **A: Plunger Actuated Regulator**

- Application: Food service
- Requirement: A regulator that provides regulated pressure in relation to the actuation of a lever.
- Solution: A plunger actuated regulator that increases secondary pressure as the plunger is depressed.

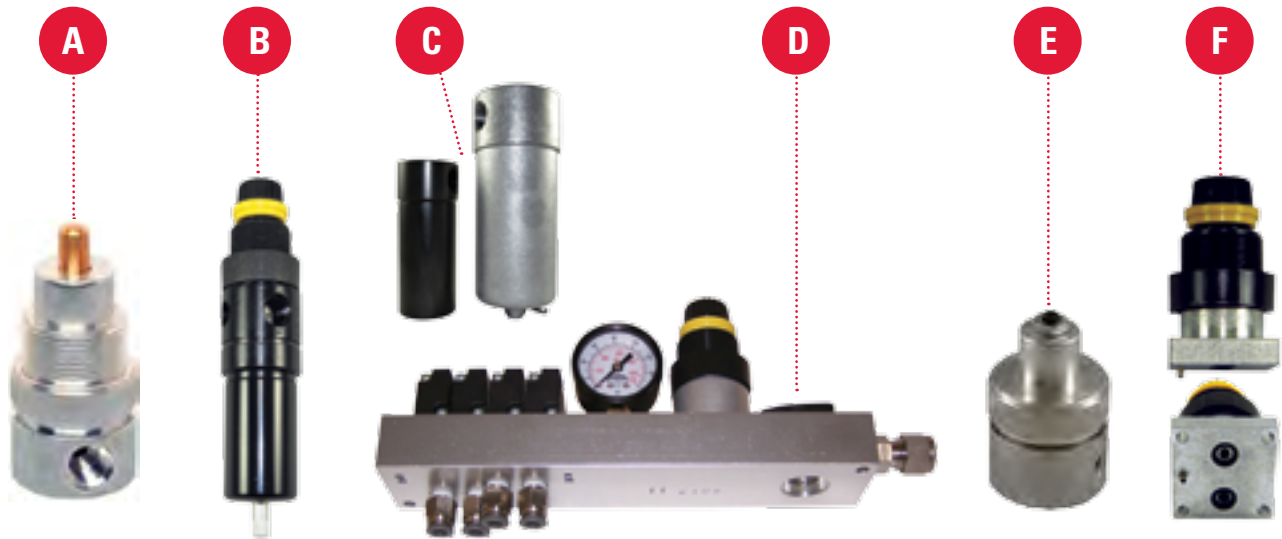
### **B: Natural Gas Filter/Regulator**

- Application: Natural gas scrubbers
- Requirement: A filter/regulator capable of flowing natural gas or compressed air in a corrosive environment.
- Solution: A custom black anodized filter/regulator with internals designed to withstand natural gas and its byproducts. The glass filled acetal bonnet offers convenient adjustment while minimizing the susceptibility to chemical attack.

### **C: Railcar Filters**

- Application: Transportation
- Requirement: High flow compressed air filters that can withstand the harsh conditions of railcar service.
- Solution: Custom filters based on the 201-5000 series of particulate filters. The all machined aluminum construction allows them to perform in even the most challenging environments. The depth filtration elements provide a long service life with minimal pressure drop.





### **D: Regulator/Valve Manifold**

- Application: Instrumentation
- Requirement: Helium compatible regulator integrated into valve manifold.
- Solution: Custom cartridge style regulator designed with special “zero leak” internals assembled into custom manifold.

### **E: Bus/Truck Driver Seat Regulator**

- Application: Transportation
- Demands: Accuracy, repeatability, compact size
- Solution: Custom regulator with lower profile bonnet, custom mounting connection, preset to +/- 2 PSIG of the set point.

### **F: CO2 Beverage Regulator**

- Application: Food & Beverage
- Demands: Preset, accurate CO2 regulator to fit preexisting manifold.
- Solution: Miniature regulator with custom manifold mounting interface preset to OEM specifications.

**WARRANTY:** Monnier, Inc. warrants each product against defects in material and workmanship for a period of one year from the date of manufacture providing its use was in accordance with Monnier, Inc. recommendations. If the product fails to perform as warranted, Monnier, Inc. will, at its option, repair or replace the product free of charge. The company will not be liable for incidental or consequential damages. We make no other warranty, expressed or implied, including warranties of merchantability or fitness for a particular purpose.

MON13



Where Custom Solutions Become Standard.

P.O. Box 409 • 2034 Fruit Street • Algonac, MI. 48001 • Phone: 810.794.4935 • Fax: 810.794.9451  
www.monnier.com • custserv@monnier.com