



**HYDRAULIC GEAR PUMPS AND MOTORS**

# 'C' Series

## SINGLE PUMP



### Performance Data

MODEL SIZE	DISPLACEMENT/REVOLUTION (THEORETICAL)			MAXIMUM PRESSURE		MAXIMUM SPEED (RPM)
	U.S. GALLONS	CUBIC INCHES	CUBIC CENT.	PSI	BAR	
C45	.0038	0.88	14.4	3500	241	3600
C65	.0055	1.27	20.8	3500	241	3600
C85	.0072	1.66	27.2	3500	241	3400
C100	.0085	1.96	32.1	3500	241	3300
C115	.0097	2.24	36.7	3000	207	3100
C150	.0127	2.93	48.1	2500	172	2800
C180	.0152	3.51	57.5	2500*	172	2500
C200	.0169	3.90	63.9	2500*	172	2200

\* CONSULT FACTORY WITH TYPE APPLICATION  
PRESSURES MAY BE LIMITED TO SHAFT TYPE

- CAST IRON THROUGHOUT
- PRESSURES TO 3500 PSI
- FLOWS TO 37 GPM
- HEAVY DUTY SLEEVE TYPE BEARINGS
- DOUBLE VITON® SHAFT SEALS STANDARD
- PRESSURE COMPENSATED THRUST PLATES
- DESIGNED FOR HEAVY DUTY APPLICATIONS
- SINGLE AND MULTI-STAGE CONFIGURATIONS
- VARIOUS SHAFT, FLANGE AND PORT OPTIONS
- PRECISION GEARS MACHINED FROM SOLID BAR STOCK
- COMPATIBLE WITH MOST FIRE RESISTANT FLUIDS
- CONTAMINANT RESISTANT
- COMPUTER DESIGNED AND MANUFACTURED
- QUALITY CERTIFIED
- FLEXIBLE DESIGN FOR NEW OR OEM REPLACEMENTS
- SERVICE SUPPORTED BY DEDICATION AND INVENTORY

P. O. BOX 2160, 1506 FULTON DR.  
CORINTH, MISSISSIPPI 38835

Phone: 662/286-2252 Fax: 662/287-6580 E-mail: [haisales@geartek.com](mailto:haisales@geartek.com) Http: [www.geartek.com](http://www.geartek.com)

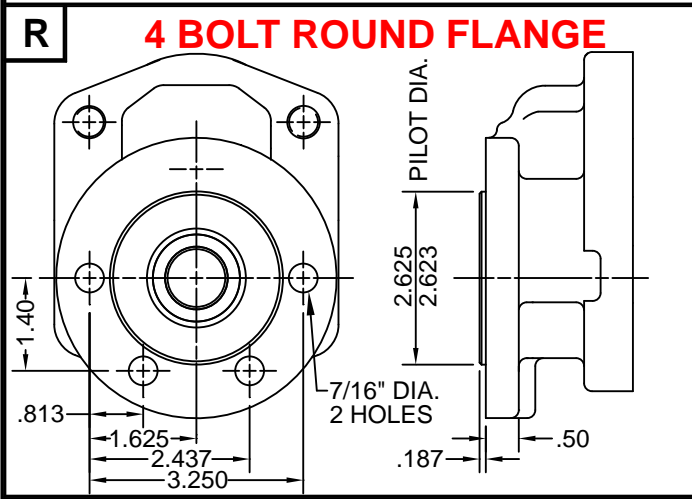
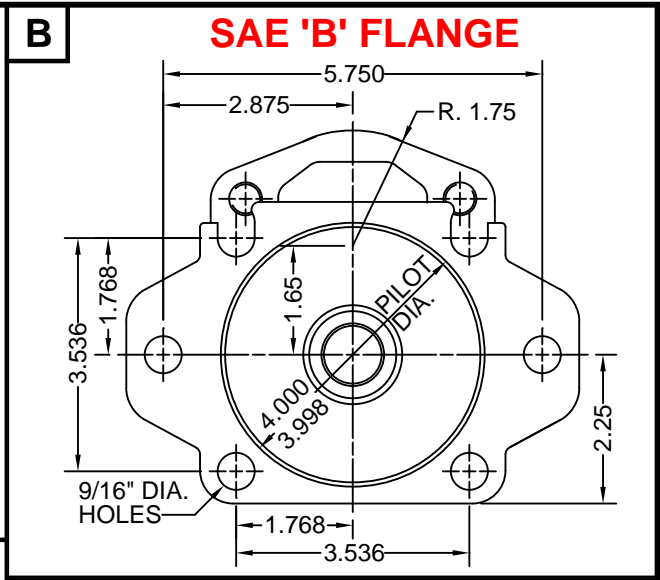
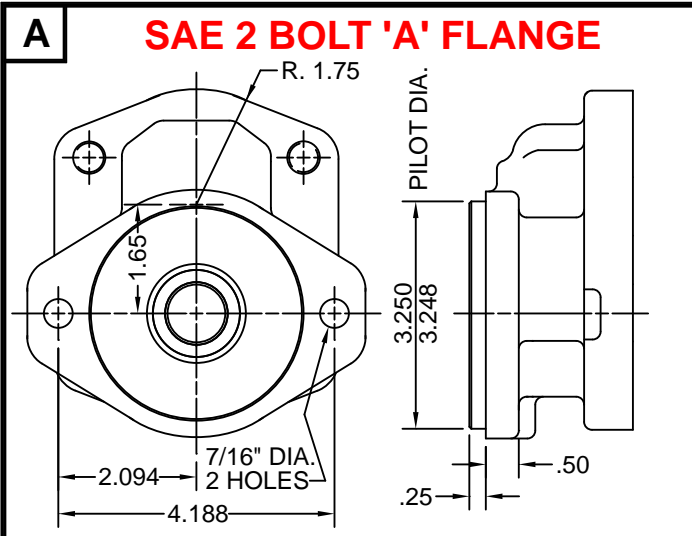
# SHAFTS AVAILABLE

<p><b>1</b> <b>5/8"-9 TOOTH SPLINE</b>          AVAILABLE ON 45 THRU 100 SIZES ONLY          TORQUE LIMIT 52 FT.-LBS.</p> <p><b>FLAT ROOT SIDE FIT</b></p> <table border="1"> <tr><td>DIAMETRAL PITCH</td><td>16/32</td></tr> <tr><td>PRESSURE ANGLE</td><td>30°</td></tr> <tr><td>NO. OF TEETH</td><td>9</td></tr> <tr><td>MINOR DIA.</td><td>.465-.475</td></tr> </table>	DIAMETRAL PITCH	16/32	PRESSURE ANGLE	30°	NO. OF TEETH	9	MINOR DIA.	.465-.475	<p><b>2</b> <b>7/8"-13 TOOTH SPLINE</b>          TORQUE LIMIT 184 FT.-LBS.          FLAT ROOT SIDE FIT</p> <table border="1"> <tr><td>DIAMETRAL PITCH</td><td>16/32</td></tr> <tr><td>PRESSURE ANGLE</td><td>30°</td></tr> <tr><td>NO. OF TEETH</td><td>13</td></tr> <tr><td>MINOR DIA.</td><td>.722-.733</td></tr> </table>	DIAMETRAL PITCH	16/32	PRESSURE ANGLE	30°	NO. OF TEETH	13	MINOR DIA.	.722-.733
DIAMETRAL PITCH	16/32																
PRESSURE ANGLE	30°																
NO. OF TEETH	9																
MINOR DIA.	.465-.475																
DIAMETRAL PITCH	16/32																
PRESSURE ANGLE	30°																
NO. OF TEETH	13																
MINOR DIA.	.722-.733																
<p><b>5</b> <b>7/8" STRAIGHT</b>          TORQUE LIMIT 184 FT.-LBS.</p>	<p><b>6</b> <b>3/4" STRAIGHT</b>          AVAILABLE ON 45 THRU 115 SIZES ONLY          TORQUE LIMIT 105 FT.-LBS.</p>																

# PORTS AVAILABLE

<p><b>1</b> <b>REAR PORTED SAE STRAIGHT THREAD</b></p> <p>SUCTION SAE #20 O-RING BOSS</p> <p>DISCHARGE SAE #16 O-RING BOSS</p>	<p><b>3</b> <b>SAE 4-BOLT CONNECTOR</b></p> <p>DISCHARGE 3/4" SAE 4-BOLT CONNECTOR</p> <p>SUCTION 1 1/4" SAE 4-BOLT CONNECTOR</p>
<p><b>5</b> <b>SIDE PORTED SAE STRAIGHT THREAD</b></p> <p>DISCHARGE SAE #12 O-RING BOSS</p> <p>SUCTION SAE #20 O-RING BOSS</p>	

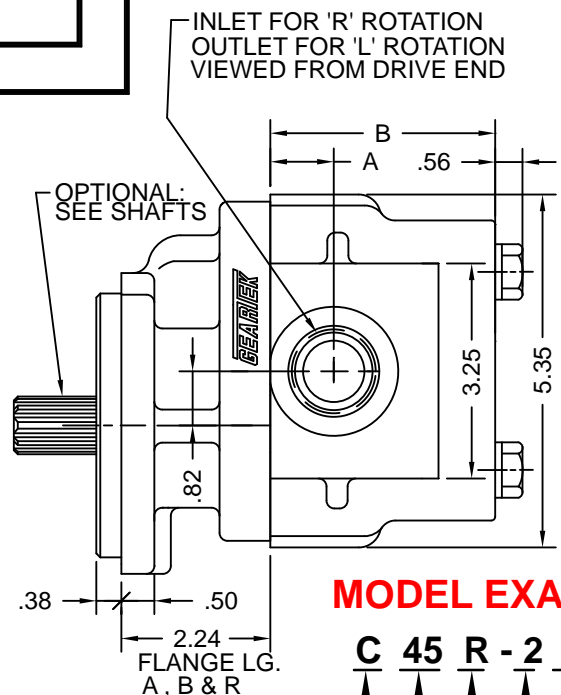
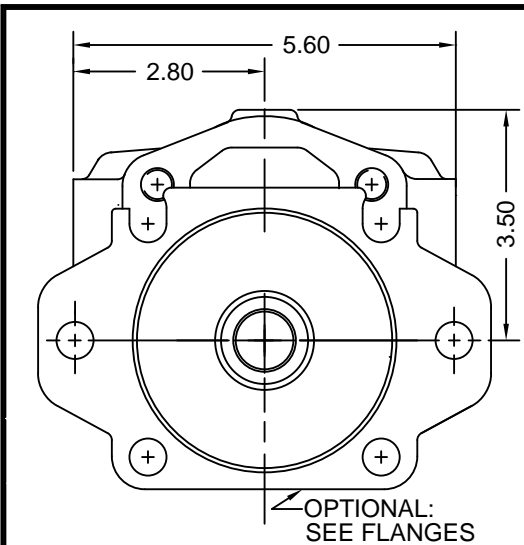
# FLANGES AVAILABLE



**MOUNTING DIMENSIONS**

SIZE	A	B
C45	1.06	2.98
C65	1.06	3.20
C85	1.06	3.41
C100	1.06	3.57
C115	1.25	3.73
C150	1.25	4.10
C180	1.25	4.42
C200	1.25	4.64

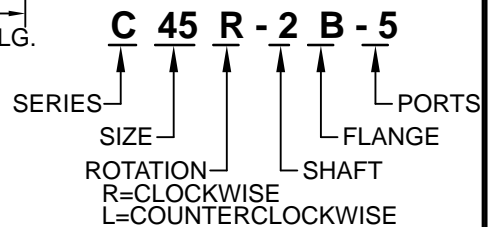
## DIMENSIONAL DATA



FOR METRIC DIMENSIONS  
MULTIPLY 25.4 X IN. = mm

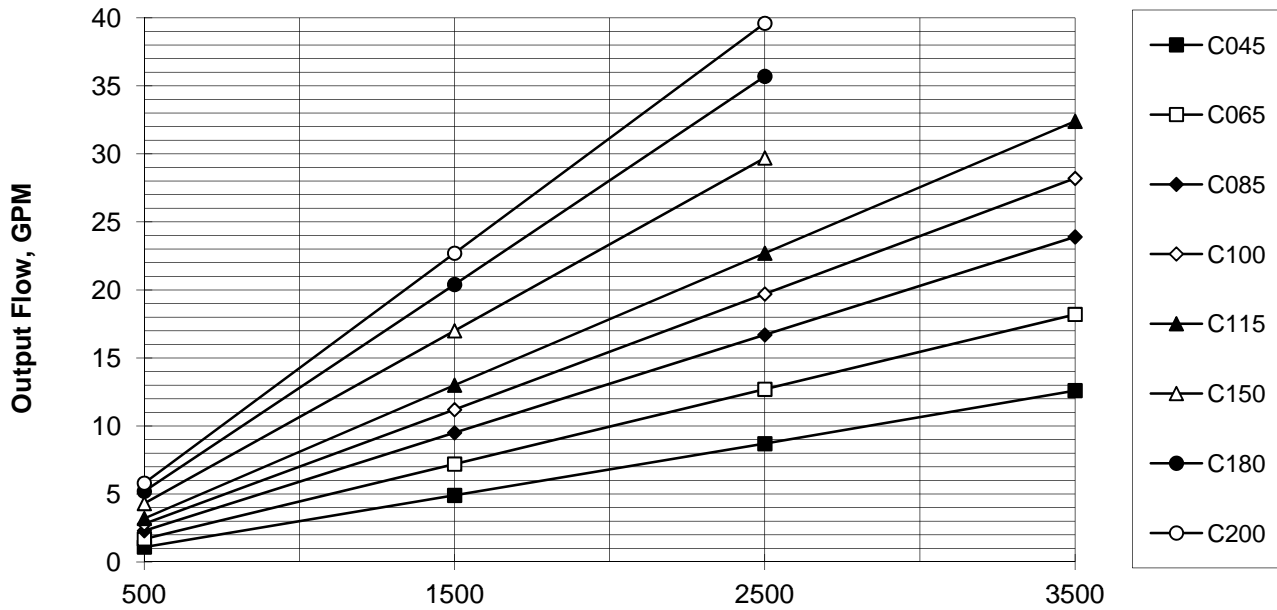
OTHER PORT TYPES AVAILABLE  
CONSULT FACTORY

## MODEL EXAMPLE

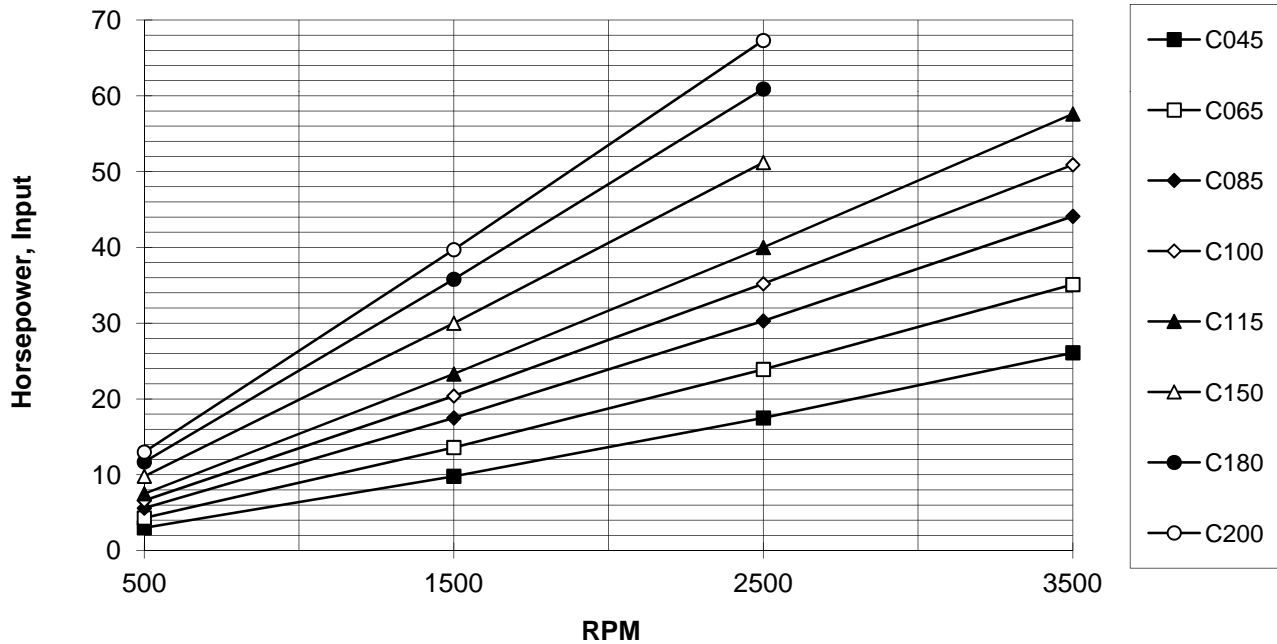


**TYPICAL PERFORMANCE DATA**  
 SAE 10W oil @ 150 DEGREES FAHRENHEIT  
 (150 SSU)

**'C' Series Typical Pump Flow @ 2500 PSI**



**'C' Series Pump Horsepower In @ 2500 PSI**

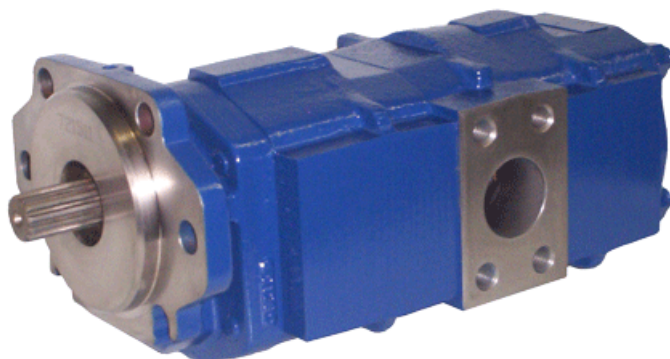




**HYDRAULIC GEAR PUMPS AND MOTORS**

# 'C' Series

## 2 SECTION PUMP



### Performance Data

MODEL SIZE	DISPLACEMENT/REVOLUTION (THEORETICAL)			MAXIMUM PRESSURE		MAXIMUM SPEED (RPM)
	U.S. GALLONS	CUBIC INCHES	CUBIC CENT.	PSI	BAR	
C45	.0038	0.88	14.4	3500	241	3600
C65	.0055	1.27	20.8	3500	241	3600
C85	.0072	1.66	27.2	3500	241	3400
C100	.0085	1.96	32.1	3500	241	3300
C115	.0097	2.24	36.7	3000	207	3100
C150	.0127	2.93	48.1	2500	172	2800
C180	.0152	3.51	57.5	2500*	172	2500
C200	.0169	3.90	63.9	2500*	172	2200

\* CONSULT FACTORY WITH TYPE APPLICATION PRESSURES MAY BE LIMITED TO SHAFT TYPE

- CAST IRON THROUGHOUT
- PRESSURES TO 3500 PSI
- FLOWS TO 37 GPM / SECTION
- HEAVY DUTY SLEEVE TYPE BEARINGS
- DOUBLE VITON @SHAFT SEALS STANDARD
- PRESSURE COMPENSATED THRUST PLATES
- DESIGNED FOR HEAVY DUTY APPLICATIONS
- SINGLE AND MULTI-STAGE CONFIGURATIONS
- VARIOUS SHAFT, FLANGE AND PORT OPTIONS
- PRECISION GEARS MACHINED FROM SOLID BAR STOCK
- COMPATIBLE WITH MOST FIRE RESISTANT FLUIDS
- CONTAMINANT RESISTANT
- COMPUTER DESIGNED AND MANUFACTURED
- QUALITY CERTIFIED
- FLEXIBLE DESIGN FOR NEW OR OEM REPLACEMENTS
- SERVICE SUPPORTED BY DEDICATION AND INVENTORY

P. O. BOX 2160, 1506 FULTON DR.  
CORINTH, MISSISSIPPI 38835

Phone: 662/286-2252 Fax: 662/287-6580 E-mail: [haisales@geartek.com](mailto:haisales@geartek.com) Http: [www.geartek.com](http://www.geartek.com)

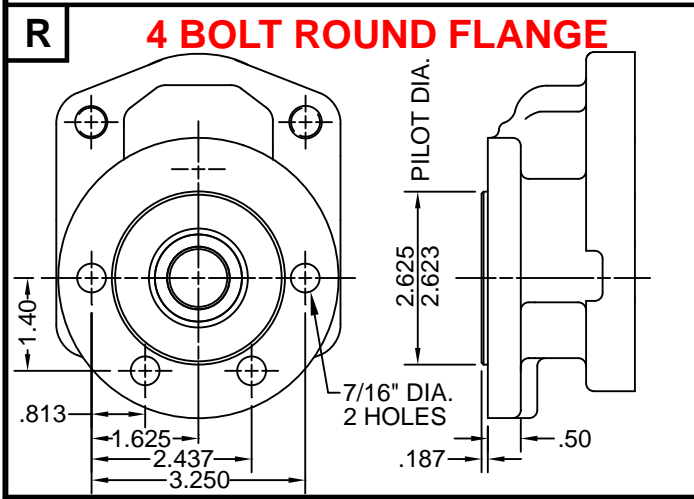
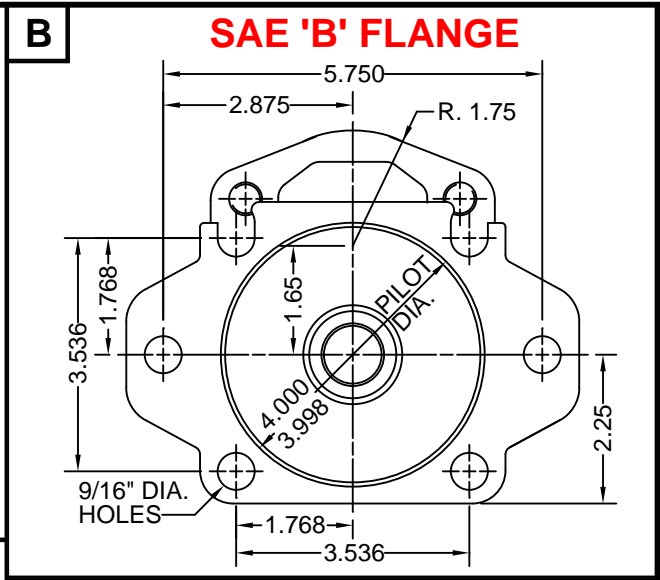
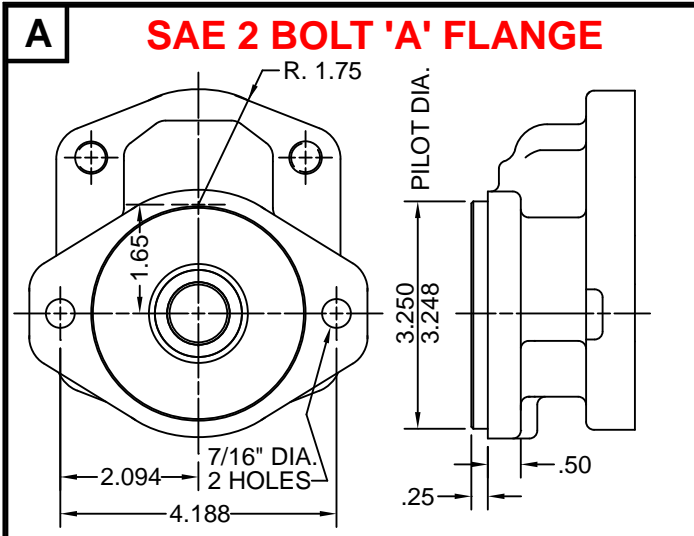
## SHAFTS AVAILABLE

<p><b>1</b> <b>5/8"-9 TOOTH SPLINE</b>          AVAILABLE ON 45 THRU 100 SIZES ONLY          TORQUE LIMIT 52 FT.-LBS.</p> <p><b>FLAT ROOT SIDE FIT</b></p> <table border="1"> <tr><td>DIAMETRAL PITCH</td><td>16/32</td></tr> <tr><td>PRESSURE ANGLE</td><td>30°</td></tr> <tr><td>NO. OF TEETH</td><td>9</td></tr> <tr><td>MINOR DIA.</td><td>.465-.475</td></tr> </table> <p>DIA. .608 .603</p> <p>.75 FULL SPLINE</p> <p>1.25 FLG. MTG. SURFACE</p>	DIAMETRAL PITCH	16/32	PRESSURE ANGLE	30°	NO. OF TEETH	9	MINOR DIA.	.465-.475	<p><b>2</b> <b>7/8"-13 TOOTH SPLINE</b>          TORQUE LIMIT 184 FT.-LBS.</p> <p><b>FLAT ROOT SIDE FIT</b></p> <table border="1"> <tr><td>DIAMETRAL PITCH</td><td>16/32</td></tr> <tr><td>PRESSURE ANGLE</td><td>30°</td></tr> <tr><td>NO. OF TEETH</td><td>13</td></tr> <tr><td>MINOR DIA.</td><td>.722-.733</td></tr> </table> <p>DIA. .8585 .8535</p> <p>1.20 FULL SPLINE 1.17</p> <p>1.62 FLG. MTG. SURFACE</p>	DIAMETRAL PITCH	16/32	PRESSURE ANGLE	30°	NO. OF TEETH	13	MINOR DIA.	.722-.733
DIAMETRAL PITCH	16/32																
PRESSURE ANGLE	30°																
NO. OF TEETH	9																
MINOR DIA.	.465-.475																
DIAMETRAL PITCH	16/32																
PRESSURE ANGLE	30°																
NO. OF TEETH	13																
MINOR DIA.	.722-.733																
<p><b>5</b> <b>7/8" STRAIGHT</b>          TORQUE LIMIT 184 FT.-LBS.</p> <p>DIA. .874 .873</p> <p>1/4"x1/4"x1 3/4" KEY</p> <p>2.45 FLG. MTG. SURFACE</p>	<p><b>6</b> <b>3/4" STRAIGHT</b>          AVAILABLE ON 45 THRU 115 SIZES ONLY          TORQUE LIMIT 105 FT.-LBS.</p> <p>DIA. .749 .748</p> <p>3/16"x3/16"x1 1/4" KEY</p> <p>1.62 1.94 FLG. MTG. SURFACE</p>																

## PORTS AVAILABLE

<p><b>1</b> <b>REAR PORTED SAE STRAIGHT THREAD</b></p> <p>5.60 2.70 1.35</p> <p>SUCTION SAE #20 O-RING BOSS</p> <p>DISCHARGE SAE #16 O-RING BOSS</p>	<p><b>3</b> <b>SAE 4-BOLT CONNECTOR</b></p> <p>DISCHARGE 3/4" SAE 4-BOLT CONNECTOR</p>
<p><b>5</b> <b>SIDE PORTED SAE STRAIGHT THREAD</b></p> <p>DISCHARGE SAE #12 O-RING BOSS</p>	

# FLANGES AVAILABLE



**MOUNTING DIMENSIONS**

SIZE	A	B	C
C45	1.06	2.98	2.32
C65	1.06	3.20	2.54
C85	1.06	3.41	2.75
C100	1.06	3.57	2.91
C115	1.25	3.73	3.07
C150	1.25	4.10	3.44
C180	1.25	4.42	3.76
C200	1.25	4.64	3.98

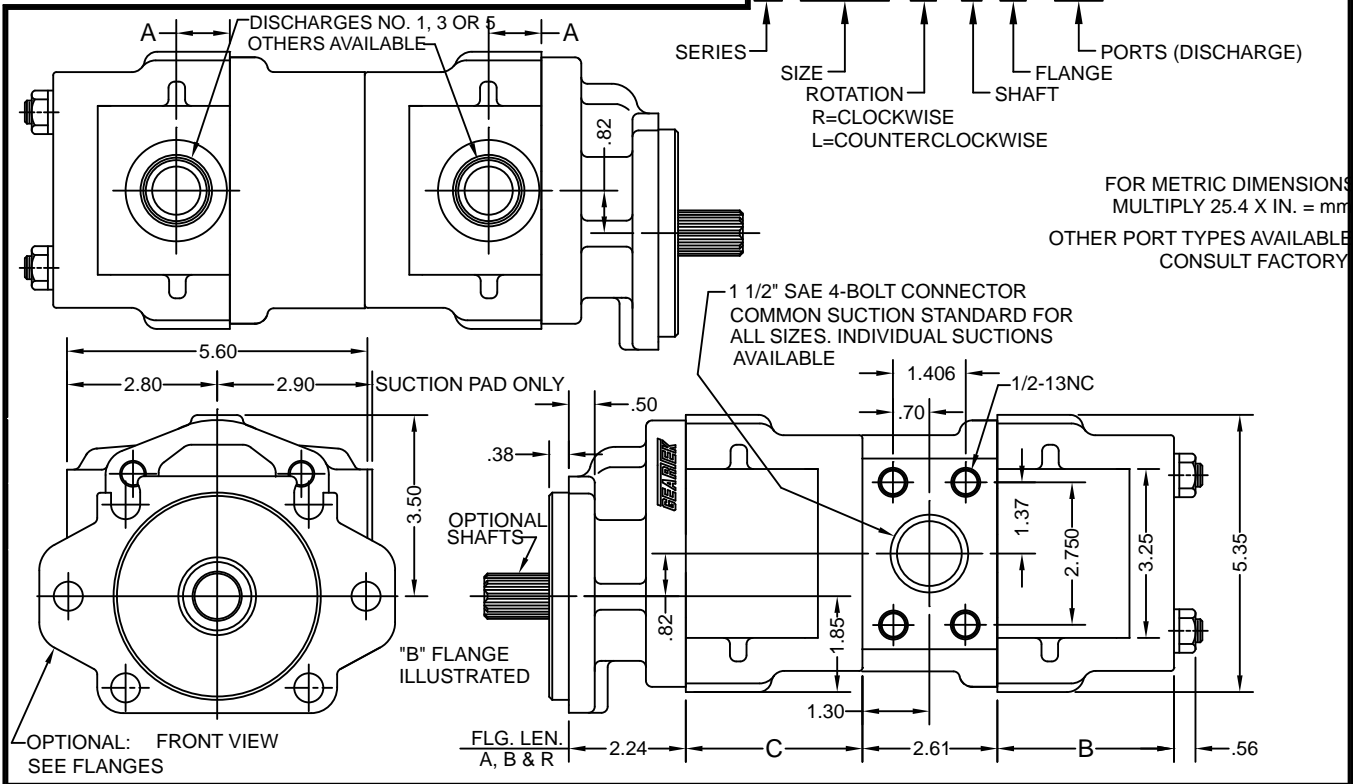
## DIMENSIONAL DATA

## MODEL EXAMPLE

**C 85-45 R - 2 B - 5 5**

SERIES — SIZE — ROTATION — FLANGE — PORTS (DISCHARGE)  
 R=CLOCKWISE  
 L=COUNTERCLOCKWISE

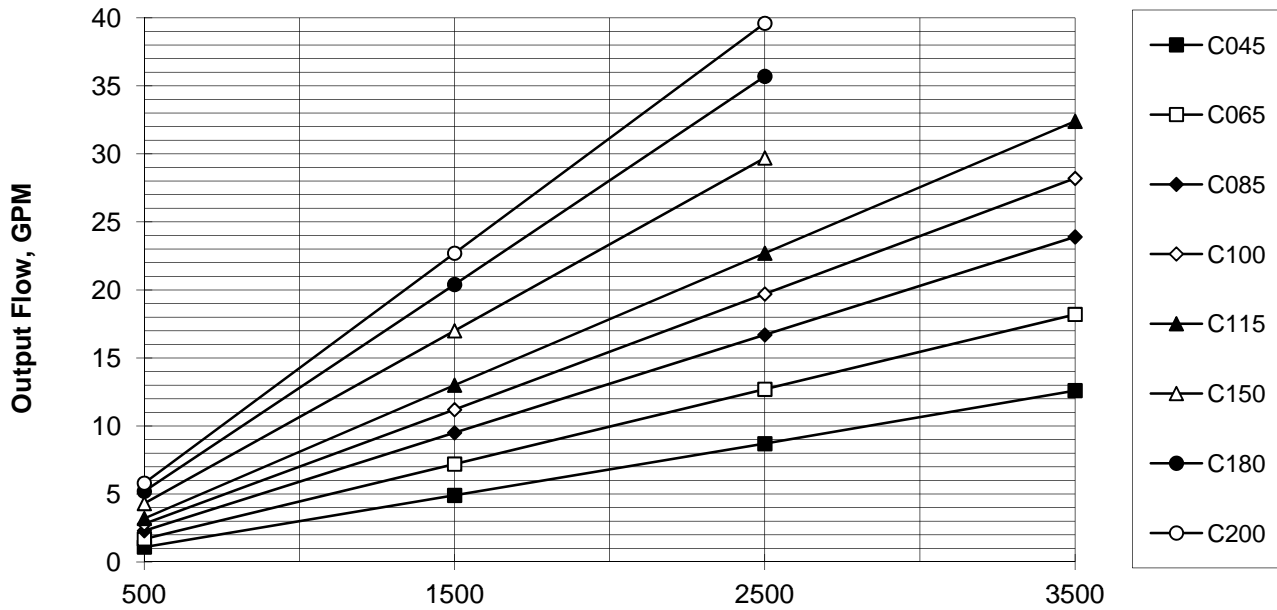
FOR METRIC DIMENSIONS  
 MULTIPLY 25.4 X IN. = mm  
 OTHER PORT TYPES AVAILABLE  
 CONSULT FACTORY



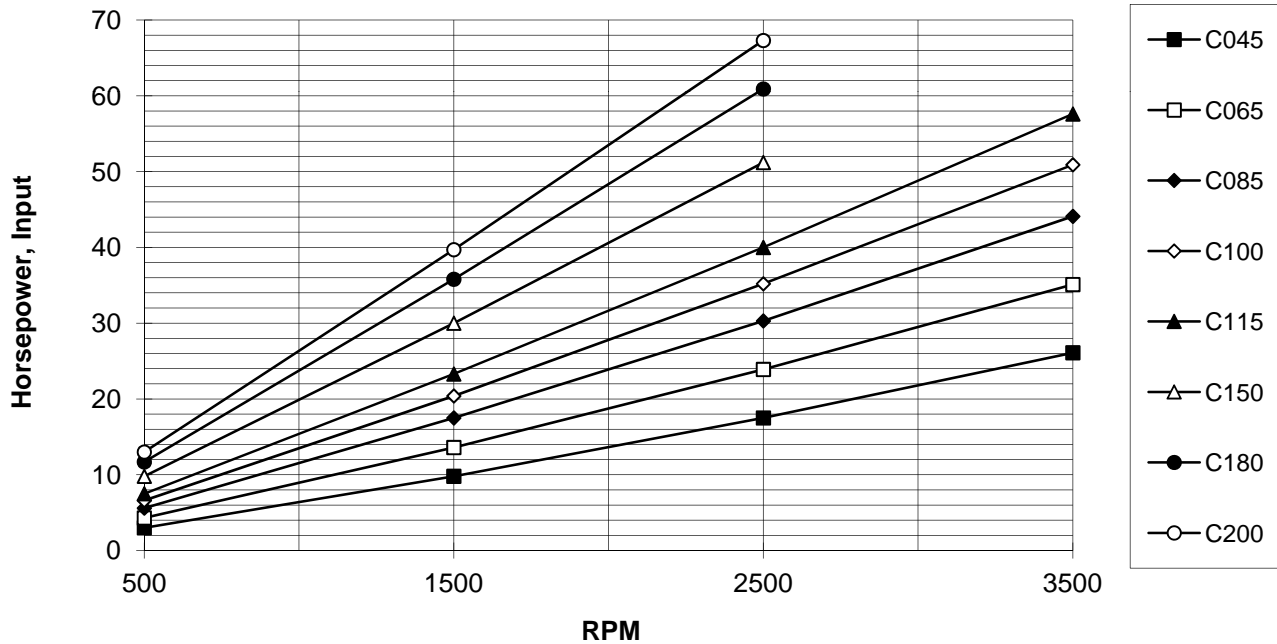
UNLESS OTHERWISE SPECIFIED, ALL LINEAR DIMENSIONS ARE IN INCHES.

**TYPICAL PERFORMANCE DATA**  
 SAE 10W oil @ 150 DEGREES FAHRENHEIT  
 (150 SSU)

**'C' Series Typical Pump Flow @ 2500 PSI**



**'C' Series Pump Horsepower In @ 2500 PSI**



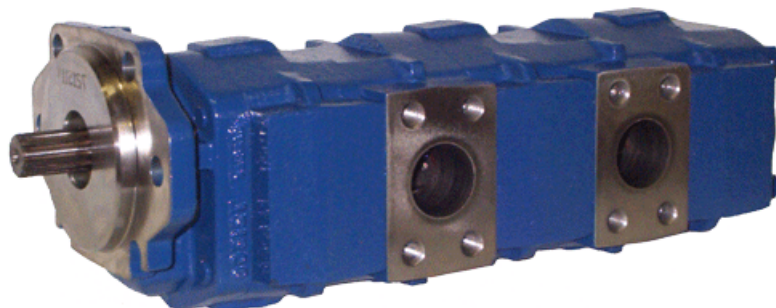




**HYDRAULIC GEAR PUMPS AND MOTORS**

# 'C' Series

## 3 SECTION PUMP



### Performance Data

MODEL SIZE	DISPLACEMENT/REVOLUTION (THEORETICAL)			MAXIMUM PRESSURE		MAXIMUM SPEED (RPM)
	U.S. GALLONS	CUBIC INCHES	CUBIC CENT.	PSI	BAR	
C45	.0038	0.88	14.4	3500	241	3600
C65	.0055	1.27	20.8	3500	241	3600
C85	.0072	1.66	27.2	3500	241	3400
C100	.0085	1.96	32.1	3500	241	3300
C115	.0097	2.24	36.7	3000	207	3100
C150	.0127	2.93	48.1	2500	172	2800
C180	.0152	3.51	57.5	2500*	172	2500
C200	.0169	3.90	63.9	2500*	172	2200

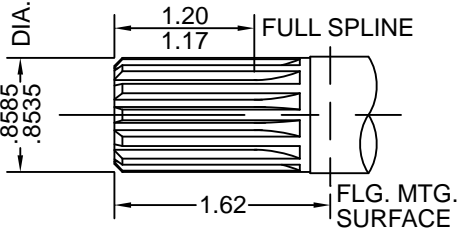
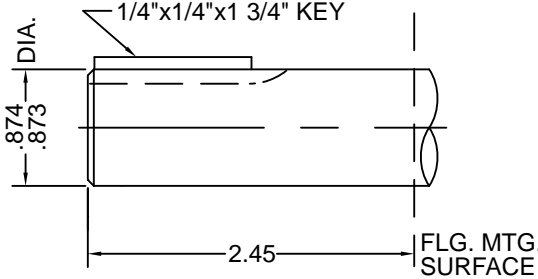
\* CONSULT FACTORY WITH TYPE APPLICATION  
PRESSURES MAY BE LIMITED TO SHAFT TYPE

- CAST IRON THROUGHOUT
- PRESSURES TO 3500 PSI
- FLOWS TO 37 GPM / SECTION
- HEAVY DUTY SLEEVE TYPE BEARINGS
- DOUBLE VITON® SHAFT SEALS STANDARD
- PRESSURE COMPENSATED THRUST PLATES
- DESIGNED FOR HEAVY DUTY APPLICATIONS
- SINGLE AND MULTI-STAGE CONFIGURATIONS
- VARIOUS SHAFT, FLANGE AND PORT OPTIONS
- PRECISION GEARS MACHINED FROM SOLID BAR STOCK
- COMPATIBLE WITH MOST FIRE RESISTANT FLUIDS
- CONTAMINANT RESISTANT
- COMPUTER DESIGNED AND MANUFACTURED
- QUALITY CERTIFIED
- FLEXIBLE DESIGN FOR NEW OR OEM REPLACEMENTS
- SERVICE SUPPORTED BY DEDICATION AND INVENTORY

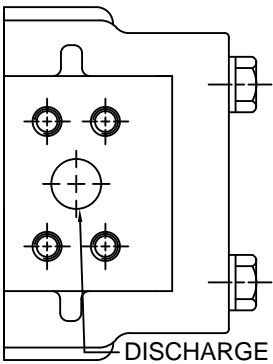
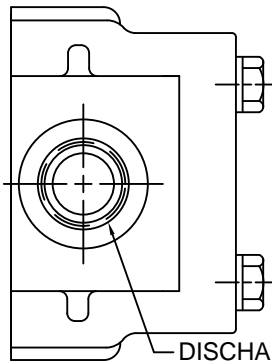
P. O. BOX 2160, 1506 FULTON DR.  
CORINTH, MISSISSIPPI 38835

Phone: 662/286-2252 Fax: 662/287-6580 E-mail: [haisales@geartek.com](mailto:haisales@geartek.com) Http: [www.geartek.com](http://www.geartek.com)

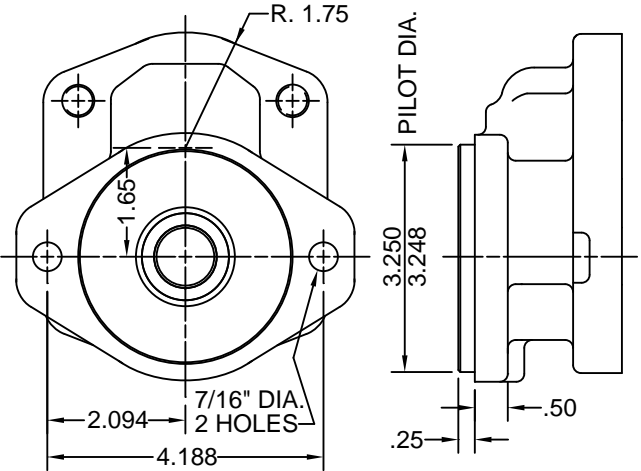
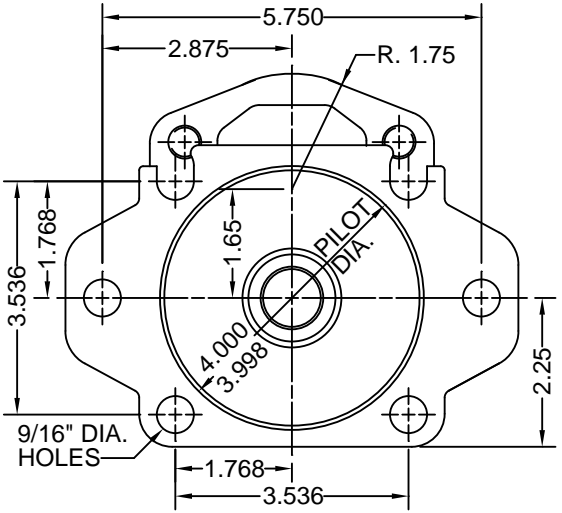
## SHAFTS AVAILABLE

<p><b>2</b> <b>7/8"-13 TOOTH SPLINE</b> TORQUE LIMIT 184 FT.-LBS.</p> <p><b>FLAT ROOT SIDE FIT</b></p> <table border="1"> <tr> <td>DIAMETRAL PITCH</td> <td>16/32</td> </tr> <tr> <td>PRESSURE ANGLE</td> <td>30°</td> </tr> <tr> <td>NO. OF TEETH</td> <td>13</td> </tr> <tr> <td>MINOR DIA.</td> <td>.722-.733</td> </tr> </table> 	DIAMETRAL PITCH	16/32	PRESSURE ANGLE	30°	NO. OF TEETH	13	MINOR DIA.	.722-.733	<p><b>5</b> <b>7/8" STRAIGHT</b> TORQUE LIMIT 184 FT.-LBS.</p> 
DIAMETRAL PITCH	16/32								
PRESSURE ANGLE	30°								
NO. OF TEETH	13								
MINOR DIA.	.722-.733								

## PORTS AVAILABLE

<p><b>3</b> <b>SAE 4-BOLT CONNECTOR</b></p>  <p>DISCHARGE 3/4" SAE 4-BOLT CONNECTOR</p>	<p><b>5</b> <b>SIDE PORTED SAE STRAIGHT THREAD</b></p>  <p>DISCHARGE SAE #12 O-RING BOSS</p>
---	--

## FLANGES AVAILABLE

<p><b>A</b> <b>SAE 2 BOLT 'A' FLANGE</b></p> 	<p><b>B</b> <b>SAE 'B' FLANGE</b></p> 
--	--

# DIMENSIONAL DATA

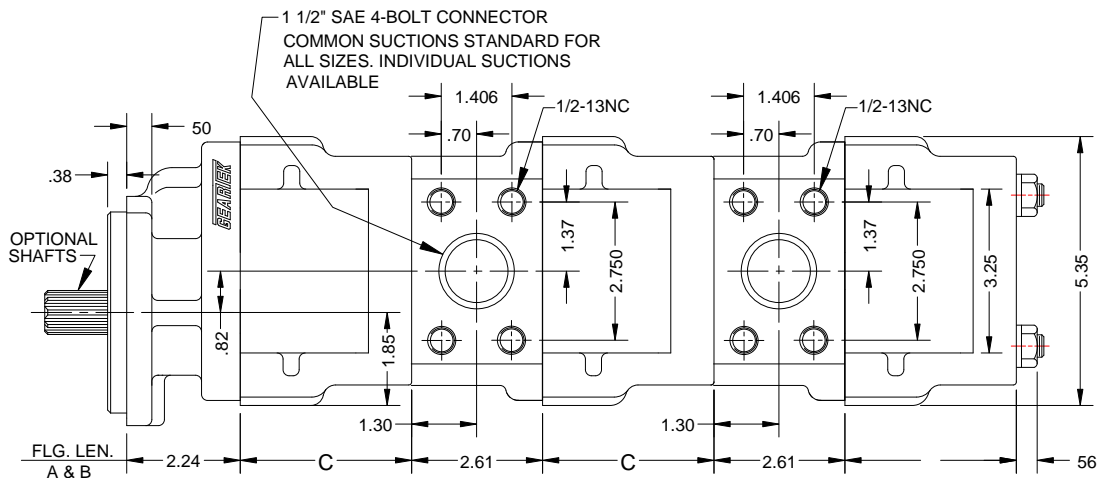
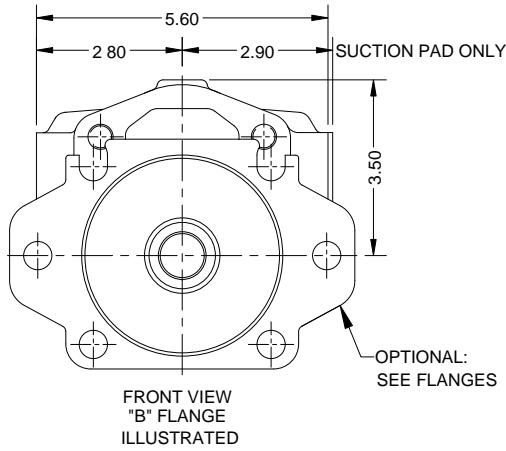
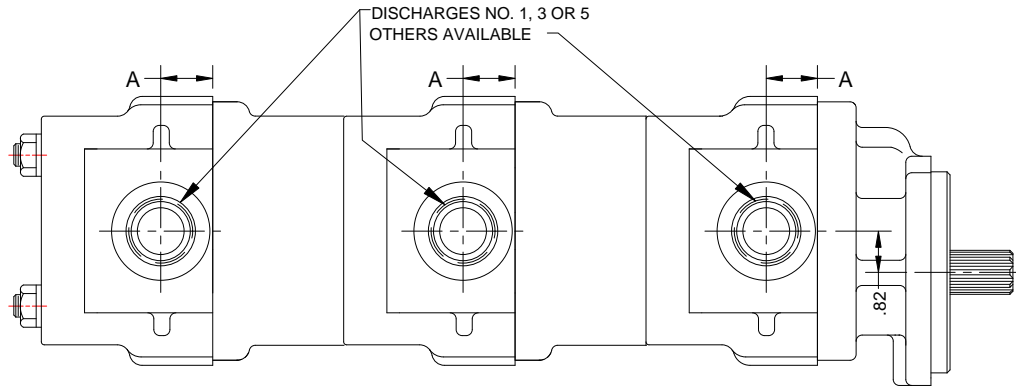
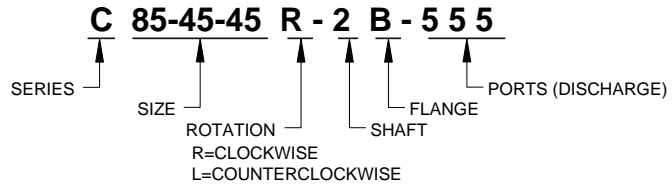
## MOUNTING DIMENSIONS

SIZE	A	B	C
C45	1.06	2.98	2.32
C65	1.06	3.20	2.54
C85	1.06	3.41	2.75
C100	1.06	3.57	2.91
C115	1.25	3.73	3.07
C150	1.25	4.10	3.44
C180	1.25	4.42	3.76
C200	1.25	4.64	3.98

FOR METRIC DIMENSIONS  
MULTIPLY 25.4 X IN. = mm

OTHER PORT TYPES AVAILABLE  
CONSULT FACTORY

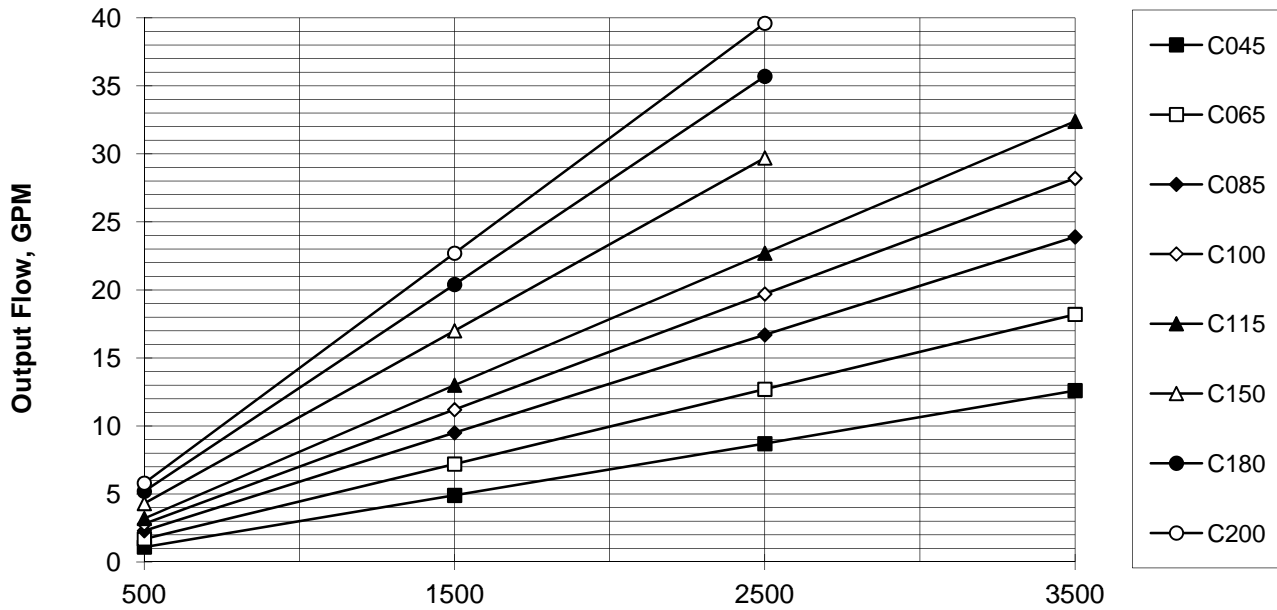
## MODEL EXAMPLE



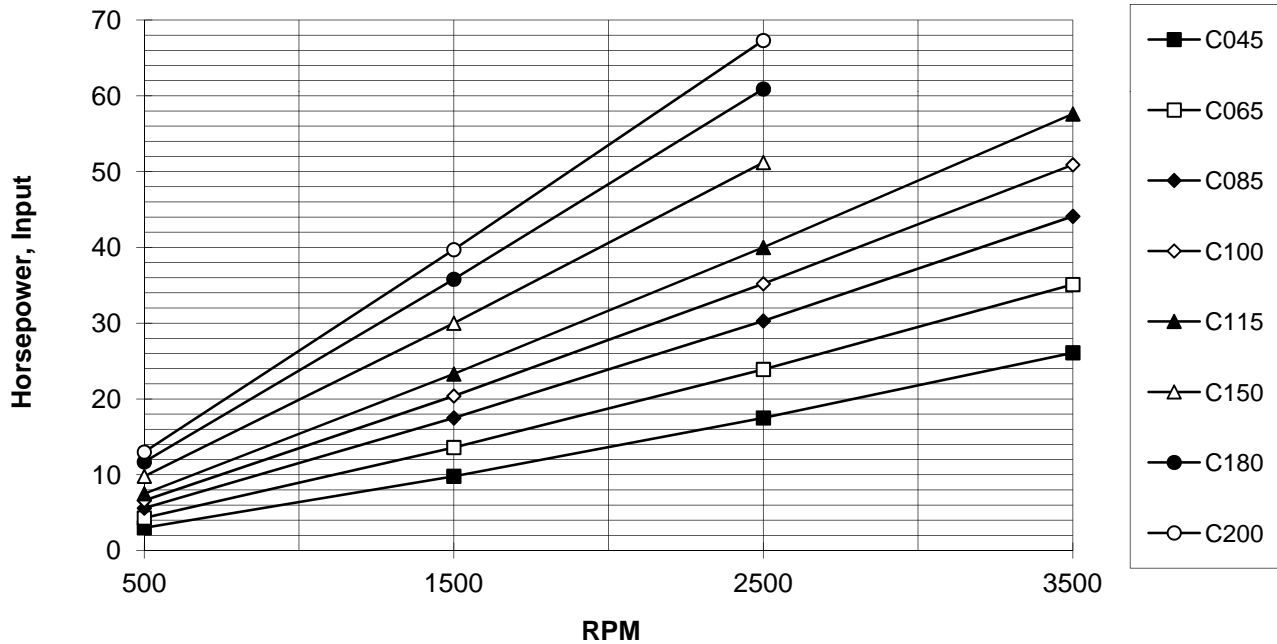
UNLESS OTHERWISE SPECIFIED, ALL LINEAR DIMENSIONS ARE IN INCHES.

**TYPICAL PERFORMANCE DATA**  
 SAE 10W oil @ 150 DEGREES FAHRENHEIT  
 (150 SSU)

**'C' Series Typical Pump Flow @ 2500 PSI**



**'C' Series Pump Horsepower In @ 2500 PSI**





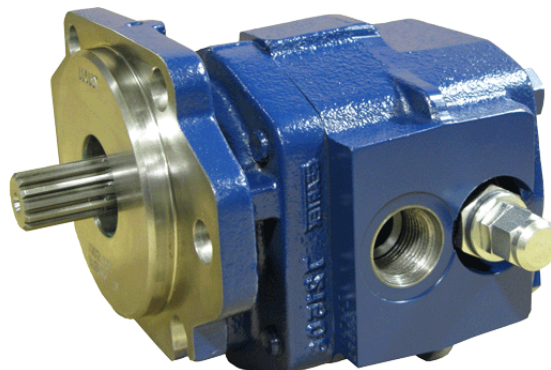
## HYDRAULIC GEAR PUMPS AND MOTORS

# 'CX' Series

### SINGLE PUMP w/ RELIEF VALVE

#### GEARTEK 'C' SERIES WITH INTEGRAL RELIEF VALVE

The adjustable cartridge relieves from discharge back to suction internally. Flows to GPM, pressures from 100 psi to 3,000 psi.



## Performance Data

MODEL SIZE	DISPLACEMENT/REVOLUTION (THEORETICAL)			MAXIMUM PRESSURE		MAXIMUM SPEED (RPM)
	U.S. GALLONS	CUBIC INCHES	CUBIC CENT.	PSI	BAR	
CX45	.0038	0.88	14.4	3000 **	241	3600
CX65	.0055	1.27	20.8	3000 **	241	3600
CX85	.0072	1.66	27.2	3000 **	241	3400 ***
CX100	.0085	1.96	32.1	3000 **	241	3300 ***
CX115	.0097	2.24	36.7	3000	207	3100 ***
CX150	.0127	2.93	48.1	2500	172	2800 ***
CX180	.0152	3.51	57.5	2500 *	172	2500 ***
CX200	.0169	3.90	63.9	2500 *	172	2200 ***

\* CONSULT FACTORY WITH TYPE APPLICATION - PRESSURES MAY BE LIMITED TO SHAFT TYPE

\*\* RELIEF VALVE RATED @ 3000 PSI

\*\*\* RELIEF VALVE RATED TO 20 GPM

- CAST IRON THROUGHOUT
- PRESSURES TO 3000 PSI
- FLOWS TO 20 GPM
- HEAVY DUTY SLEEVE TYPE BEARINGS
- DOUBLE VITON® SHAFT SEALS STANDARD
- PRESSURE COMPENSATED THRUST PLATES
- DESIGNED FOR HEAVY DUTY APPLICATIONS
- SINGLE STAGE CONFIGURATIONS
- VARIOUS SHAFT, FLANGE AND PORT OPTIONS
- PRECISION GEARS MACHINED FROM SOLID BAR STOCK
- COMPATIBLE WITH MOST FIRE RESISTANT FLUIDS
- CONTAMINANT RESISTANT
- COMPUTER DESIGNED AND MANUFACTURED
- QUALITY CERTIFIED
- FLEXIBLE DESIGN FOR NEW OR OEM REPLACEMENTS
- SERVICE SUPPORTED BY DEDICATION AND INVENTORY

P. O. BOX 2160, 1506 FULTON DR.  
CORINTH, MISSISSIPPI 38835

Phone: 662/286-2252 Fax: 662/287-6580 E-mail: [haisales@geartek.com](mailto:haisales@geartek.com) Http: [www.geartek.com](http://www.geartek.com)

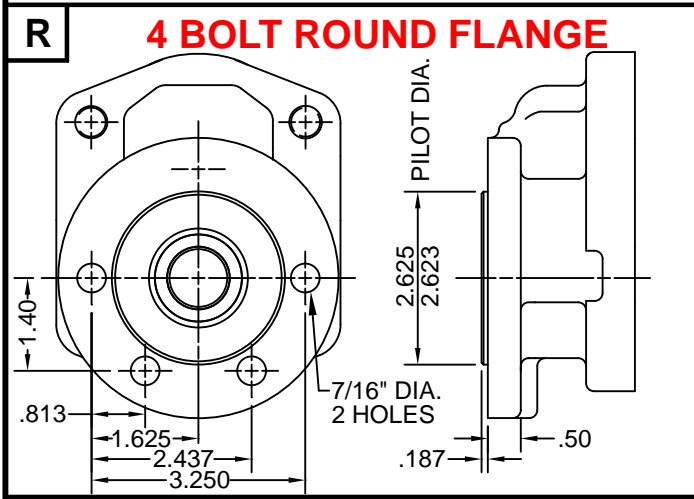
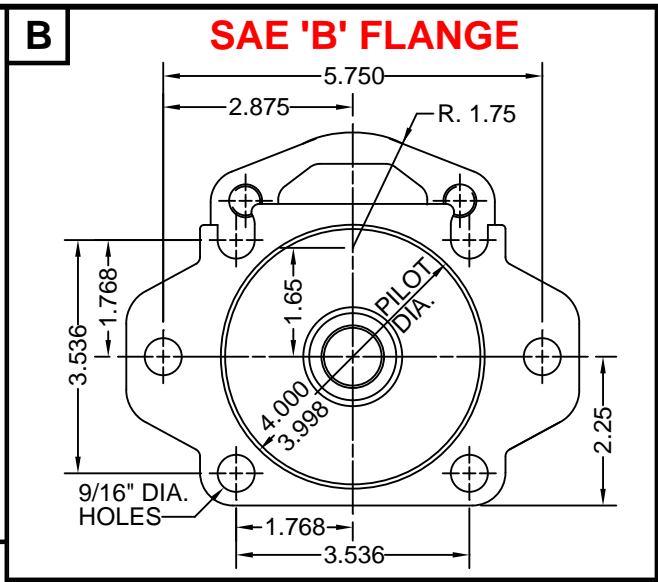
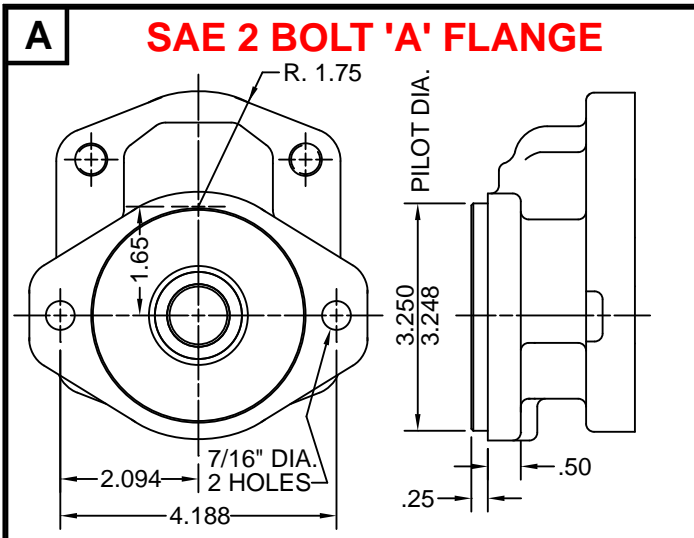
## SHAFTS AVAILABLE

<p><b>1</b> <b>5/8"-9 TOOTH SPLINE</b>          AVAILABLE ON 45 THRU 100 SIZES ONLY          TORQUE LIMIT 52 FT.-LBS.</p> <p><b>FLAT ROOT SIDE FIT</b></p> <table border="1"> <tr><td>DIAMETRAL PITCH</td><td>16/32</td></tr> <tr><td>PRESSURE ANGLE</td><td>30°</td></tr> <tr><td>NO. OF TEETH</td><td>9</td></tr> <tr><td>MINOR DIA.</td><td>.465-.475</td></tr> </table>	DIAMETRAL PITCH	16/32	PRESSURE ANGLE	30°	NO. OF TEETH	9	MINOR DIA.	.465-.475	<p><b>2</b> <b>7/8"-13 TOOTH SPLINE</b>          TORQUE LIMIT 184 FT.-LBS.          FLAT ROOT SIDE FIT</p> <table border="1"> <tr><td>DIAMETRAL PITCH</td><td>16/32</td></tr> <tr><td>PRESSURE ANGLE</td><td>30°</td></tr> <tr><td>NO. OF TEETH</td><td>13</td></tr> <tr><td>MINOR DIA.</td><td>.722-.733</td></tr> </table>	DIAMETRAL PITCH	16/32	PRESSURE ANGLE	30°	NO. OF TEETH	13	MINOR DIA.	.722-.733
DIAMETRAL PITCH	16/32																
PRESSURE ANGLE	30°																
NO. OF TEETH	9																
MINOR DIA.	.465-.475																
DIAMETRAL PITCH	16/32																
PRESSURE ANGLE	30°																
NO. OF TEETH	13																
MINOR DIA.	.722-.733																
<p><b>5</b> <b>7/8" STRAIGHT</b>          TORQUE LIMIT 184 FT.-LBS.</p>	<p><b>6</b> <b>3/4" STRAIGHT</b>          AVAILABLE ON 45 THRU 115 SIZES ONLY          TORQUE LIMIT 105 FT.-LBS.</p>																

## PORTS AVAILABLE

	<p><b>3</b> <b>SAE 4-BOLT CONNECTOR</b></p> <p>DISCHARGE 3/4" SAE 4-BOLT CONNECTOR</p> <p>SUCTION 1 1/4" SAE 4-BOLT CONNECTOR</p>
<p><b>5</b> <b>SIDE PORTED SAE STRAIGHT THREAD</b></p> <p>DISCHARGE SAE #12 O-RING BOSS</p> <p>SUCTION SAE #20 O-RING BOSS</p>	

# FLANGES AVAILABLE



**MOUNTING DIMENSIONS**

SIZE	A	B
CX45	1.06 *	2.98
CX65	1.06	3.20
CX85	1.06	3.41
CX100	1.06	3.57
CX115	1.25	3.73
CX150	1.25	4.10
CX180	1.25	4.42
CX200	1.25	4.64

\* .88 DISCHARGE PORT C/L FOR CX45 SIZE ONLY  
ALL OTHER DISC. C/L'S SAME AS SUC.

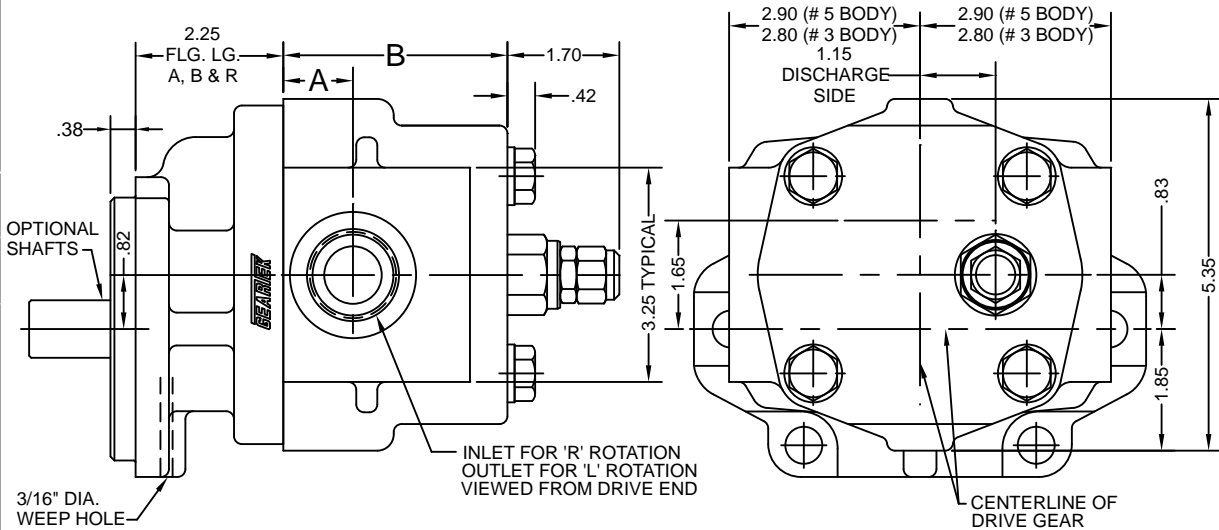
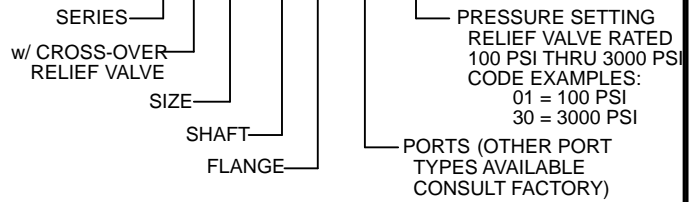
## DIMENSIONAL DATA

FOR METRIC DIMENSIONS  
MULTIPLY 25.4 X IN. = mm

OTHER PORT TYPES AVAILABLE  
CONSULT FACTORY

LOCATION OF VALVE CARTRIDGE  
DEPENDANT ON APPLICATION  
CONSULT FACTORY

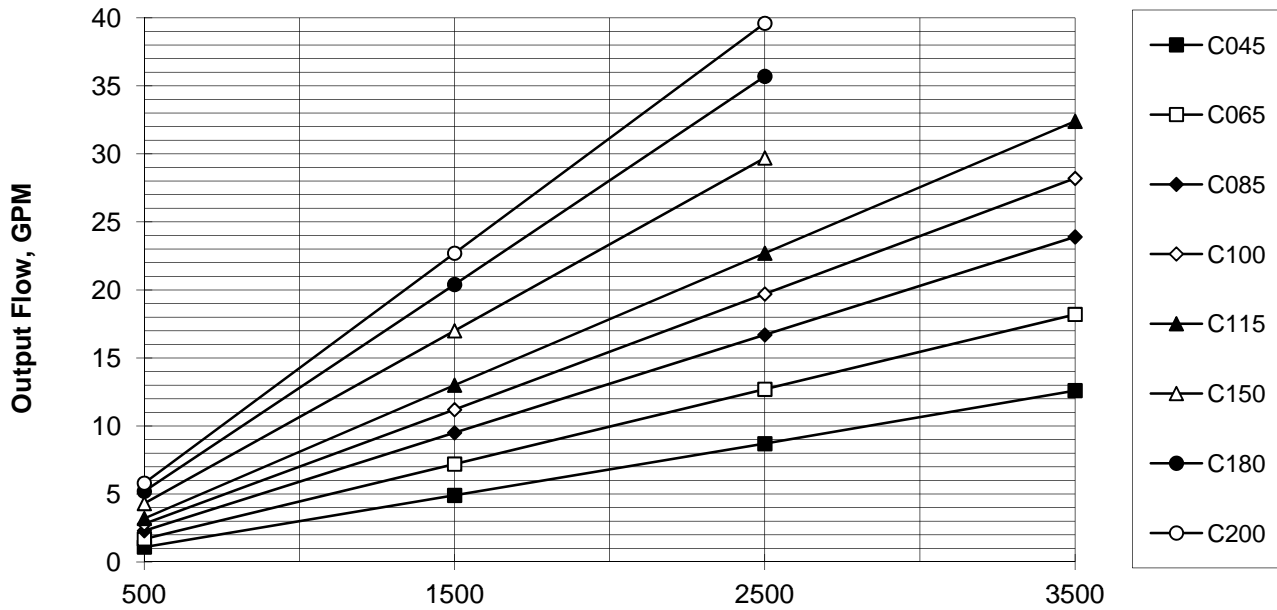
**MODEL EXAMPLE**  
**C X 45 - 2 B - 5 - 30**



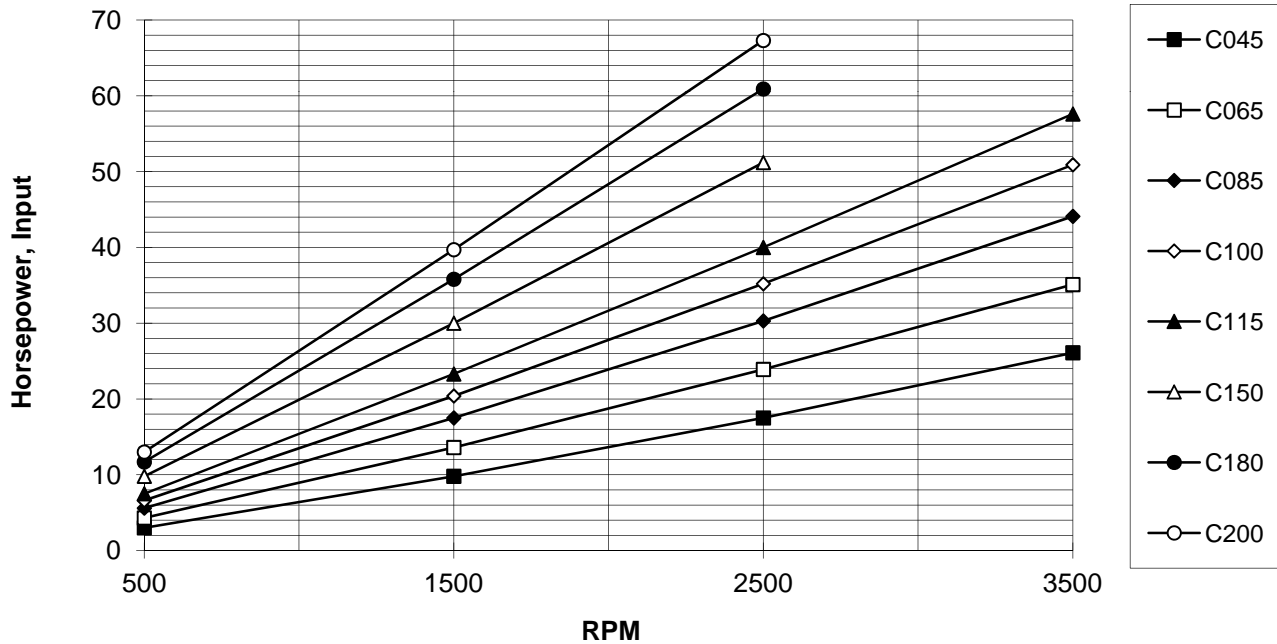
UNLESS OTHERWISE SPECIFIED, ALL LINEAR DIMENSIONS ARE IN INCHES.

**TYPICAL PERFORMANCE DATA**  
 SAE 10W oil @ 150 DEGREES FAHRENHEIT  
 (150 SSU)

**'C' Series Typical Pump Flow @ 2500 PSI**



**'C' Series Pump Horsepower In @ 2500 PSI**







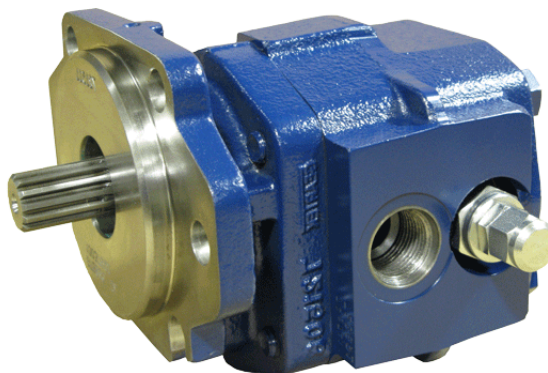
# HYDRAULIC GEAR PUMPS AND MOTORS

# 'MCX' Series

## SINGLE MOTOR w/ RELIEF VALVE

GEARTEK 'RPMC' SERIES MOTOR  
WITH INTEGRAL CROSSOVER RELIEF VALVE

Valve will relieve from high pressure side to low pressure side regardless of rotation. Flows to 20 GPM, pressures from 100 psi to 3,000 psi.



## Performance Data

MODEL SIZE	DISPLACEMENT/REVOLUTION (THEORETICAL)					IN-LB TORQUE @ 2400 RPM & 2500 PSI		HP/OUT @ 2400 RPM & 2500 PSI	MAX. PRESSURE	
	U.S. GALLONS	CUBIC INCHES	CUBIC CENT.	RPM		START	RUN		PSI	BAR
				MIN.	MAX.					
MCX45	.0038	0.88	14.4	600	3600	241	301	11	3000 **	241
MCX65	.0055	1.27	20.8	600	3600	347	434	16	3000 **	241
MCX85	.0072	1.66	27.2	600	3400***	455	569	22	3000 **	241
MCX100	.0085	1.96	32.1	600	3300***	535	669	25	3000 **	241
MCX115	.0097	2.24	36.7	600	3100***	615	769	29	3000	207
MCX150	.0127	2.93	48.1	600	2800***	802	1003	38	2500	172
MCX180	.0152	3.51	57.5	600	2500***	962	1203	46	2500*	172
MCX200	.0169	3.90	63.9	600	2200	1069	1337	51	2500*	172

\* CONSULT FACTORY WITH TYPE APPLICATION - PRESSURES MAY BE LIMITED TO SHAFT TYPE

\*\* RELIEF VALVE RATED @ 3000 PSI

\*\*\* RELIEF VALVE RATED TO 20 GPM

- CAST IRON THROUGHOUT
- PRESSURES TO 3000 PSI
- FLOWS TO 20 GPM
- HEAVY DUTY SLEEVE TYPE BEARINGS
- DOUBLE VITON® SHAFT SEALS STANDARD
- PRESSURE COMPENSATED THRUST PLATES
- DESIGNED FOR HEAVY DUTY APPLICATIONS
- SINGLE STAGE CONFIGURATIONS
- VARIOUS SHAFT, FLANGE AND PORT OPTIONS
- PRECISION GEARS MACHINED FROM SOLID BAR STOCK
- COMPATIBLE WITH MOST FIRE RESISTANT FLUIDS
- CONTAMINANT RESISTANT
- COMPUTER DESIGNED AND MANUFACTURED
- QUALITY CERTIFIED
- FLEXIBLE DESIGN FOR NEW OR OEM REPLACEMENTS
- SERVICE SUPPORTED BY DEDICATION AND INVENTORY

P. O. BOX 2160, 1506 FULTON DR.  
CORINTH, MISSISSIPPI 38835

Phone: 662/286-2252 Fax: 662/287-6580 E-mail: [haisales@geartek.com](mailto:haisales@geartek.com) Http: [www.geartek.com](http://www.geartek.com)

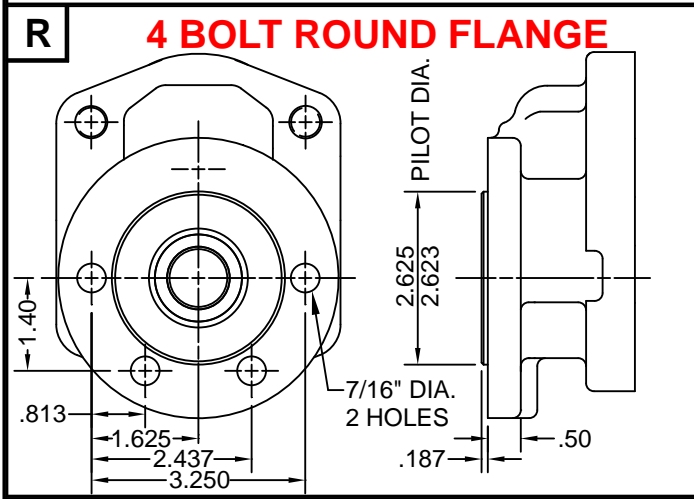
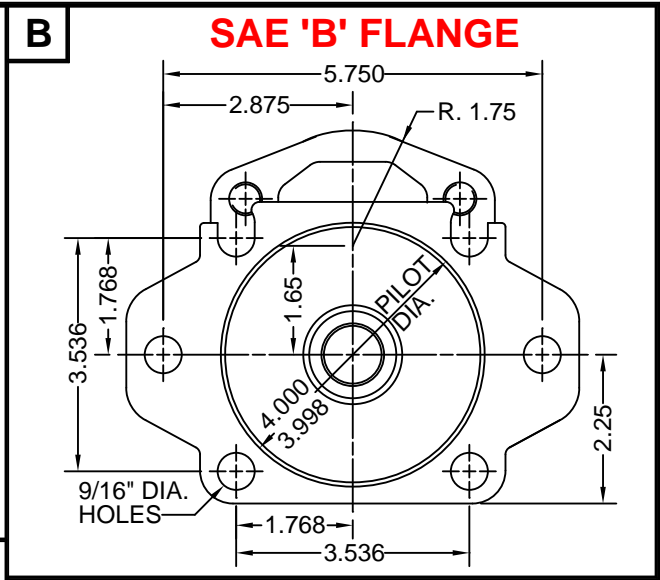
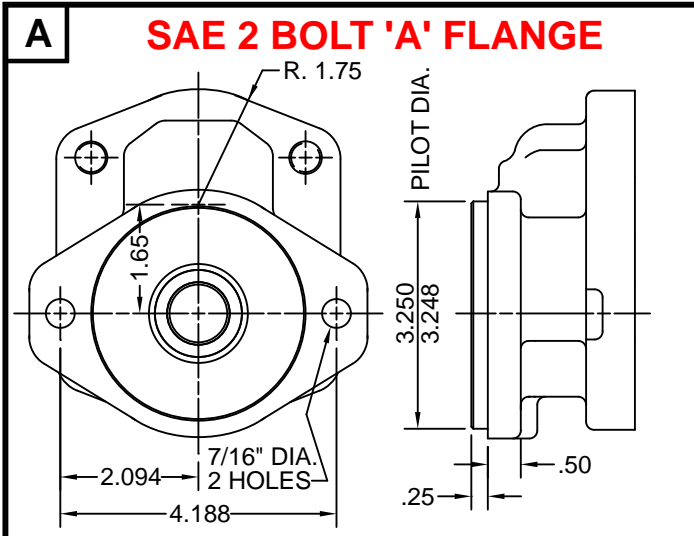
## SHAFTS AVAILABLE

<p><b>1</b> <b>5/8"-9 TOOTH SPLINE</b>          AVAILABLE ON 45 THRU 100 SIZES ONLY          TORQUE LIMIT 52 FT.-LBS.</p> <p><b>FLAT ROOT SIDE FIT</b></p> <table border="1"> <tr><td>DIAMETRAL PITCH</td><td>16/32</td></tr> <tr><td>PRESSURE ANGLE</td><td>30°</td></tr> <tr><td>NO. OF TEETH</td><td>9</td></tr> <tr><td>MINOR DIA.</td><td>.465-.475</td></tr> </table>	DIAMETRAL PITCH	16/32	PRESSURE ANGLE	30°	NO. OF TEETH	9	MINOR DIA.	.465-.475	<p><b>2</b> <b>7/8"-13 TOOTH SPLINE</b>          TORQUE LIMIT 184 FT.-LBS.</p> <p><b>FLAT ROOT SIDE FIT</b></p> <table border="1"> <tr><td>DIAMETRAL PITCH</td><td>16/32</td></tr> <tr><td>PRESSURE ANGLE</td><td>30°</td></tr> <tr><td>NO. OF TEETH</td><td>13</td></tr> <tr><td>MINOR DIA.</td><td>.722-.733</td></tr> </table>	DIAMETRAL PITCH	16/32	PRESSURE ANGLE	30°	NO. OF TEETH	13	MINOR DIA.	.722-.733
DIAMETRAL PITCH	16/32																
PRESSURE ANGLE	30°																
NO. OF TEETH	9																
MINOR DIA.	.465-.475																
DIAMETRAL PITCH	16/32																
PRESSURE ANGLE	30°																
NO. OF TEETH	13																
MINOR DIA.	.722-.733																
<p><b>5</b> <b>7/8" STRAIGHT</b>          TORQUE LIMIT 184 FT.-LBS.</p>	<p><b>6</b> <b>3/4" STRAIGHT</b>          AVAILABLE ON 45 THRU 115 SIZES ONLY          TORQUE LIMIT 105 FT.-LBS.</p>																

## PORTS AVAILABLE

<p><b>5</b> <b>SIDE PORTED SAE STRAIGHT THREAD</b></p>	<p><b>PORT SIZES</b></p> <table border="1"> <thead> <tr> <th>SIZE</th> <th>FOR CODE 5 PORTS BOTH SIDES SAE STRAIGHT THREAD O-RING BOSS</th> </tr> </thead> <tbody> <tr><td>RPMC45</td><td>NO. 12 1 1/16-12UN-2B</td></tr> <tr><td>RPMC65</td><td>NO. 16 1 5/16-12UN-2B</td></tr> <tr><td>RPMC85</td><td>NO. 16 1 5/16-12UN-2B</td></tr> <tr><td>RPMC100</td><td>NO. 16 1 5/16-12UN-2B</td></tr> <tr><td>RPMC115</td><td>NO. 20 1 5/8-12UN-2B</td></tr> <tr><td>RPMC150</td><td>NO. 20 1 5/8-12UN-2B</td></tr> <tr><td>RPMC180</td><td>NO. 20 1 5/8-12UN-2B</td></tr> <tr><td>RPMC200</td><td>NO. 20 1 5/8-12UN-2B</td></tr> </tbody> </table>	SIZE	FOR CODE 5 PORTS BOTH SIDES SAE STRAIGHT THREAD O-RING BOSS	RPMC45	NO. 12 1 1/16-12UN-2B	RPMC65	NO. 16 1 5/16-12UN-2B	RPMC85	NO. 16 1 5/16-12UN-2B	RPMC100	NO. 16 1 5/16-12UN-2B	RPMC115	NO. 20 1 5/8-12UN-2B	RPMC150	NO. 20 1 5/8-12UN-2B	RPMC180	NO. 20 1 5/8-12UN-2B	RPMC200	NO. 20 1 5/8-12UN-2B
SIZE	FOR CODE 5 PORTS BOTH SIDES SAE STRAIGHT THREAD O-RING BOSS																		
RPMC45	NO. 12 1 1/16-12UN-2B																		
RPMC65	NO. 16 1 5/16-12UN-2B																		
RPMC85	NO. 16 1 5/16-12UN-2B																		
RPMC100	NO. 16 1 5/16-12UN-2B																		
RPMC115	NO. 20 1 5/8-12UN-2B																		
RPMC150	NO. 20 1 5/8-12UN-2B																		
RPMC180	NO. 20 1 5/8-12UN-2B																		
RPMC200	NO. 20 1 5/8-12UN-2B																		

# FLANGES AVAILABLE



**MOUNTING DIMENSIONS**

SIZE	A	B
MCX45	.88	2.98
MCX65	1.06	3.20
MCX85	1.06	3.41
MCX100	1.06	3.57
MCX115	1.25	3.73
MCX150	1.25	4.10
MCX180	1.25	4.42
MCX200	1.25	4.64

FOR METRIC DIMENSIONS  
MULTIPLY 25.4 X IN. = mm

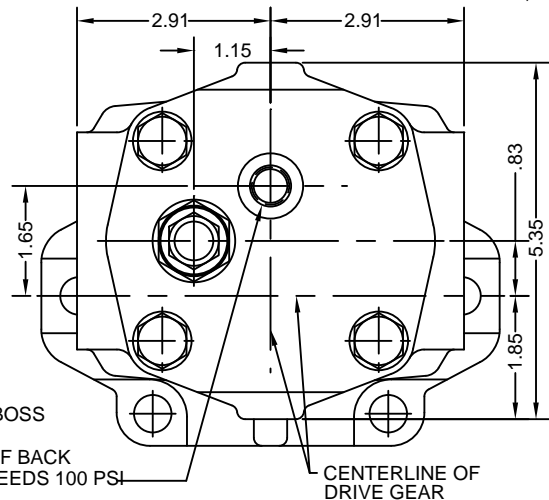
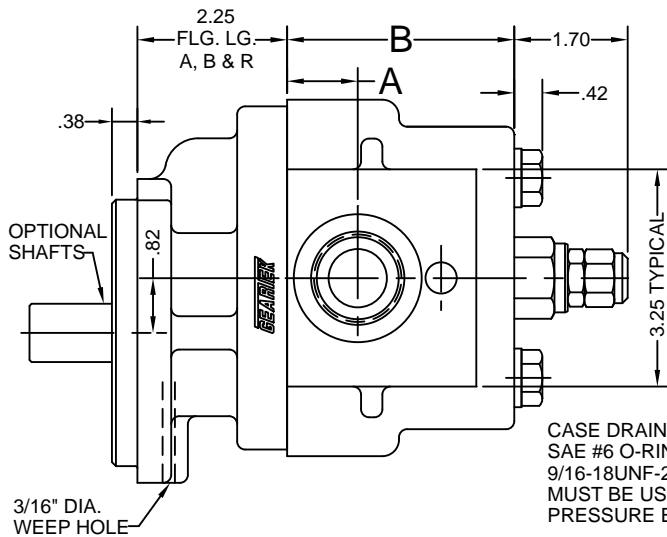
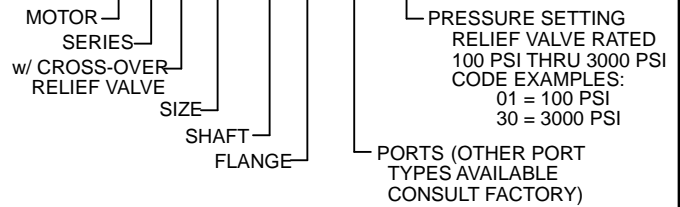
## DIMENSIONAL DATA

OTHER PORT TYPES AVAILABLE  
CONSULT FACTORY

LOCATION OF VALVE CARTRIDGE  
DEPENDANT ON APPLICATION  
CONSULT FACTORY

## MODEL EXAMPLE

**M C X 45 - 2 B - 5 - 30**

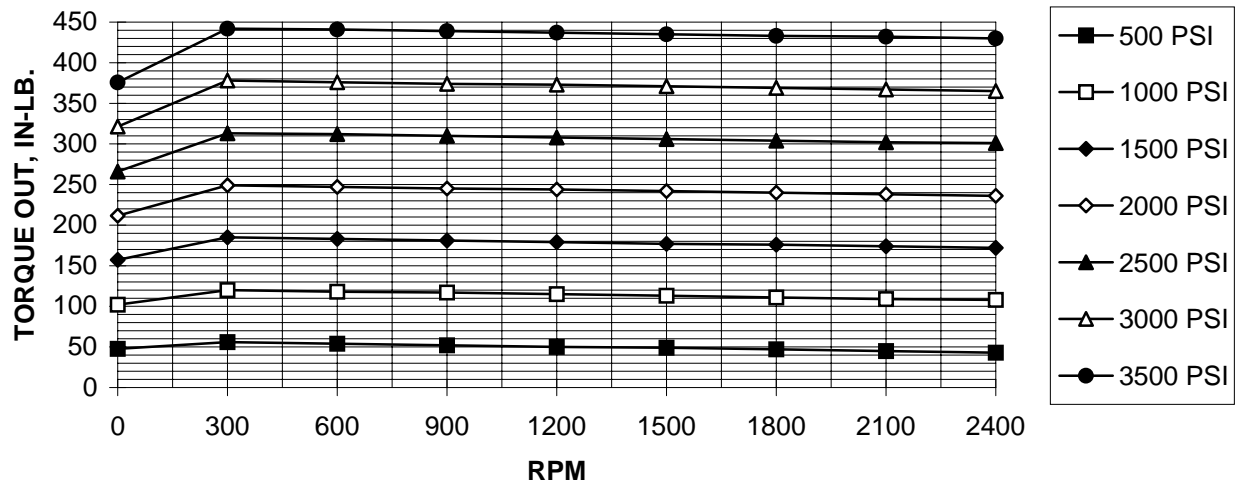
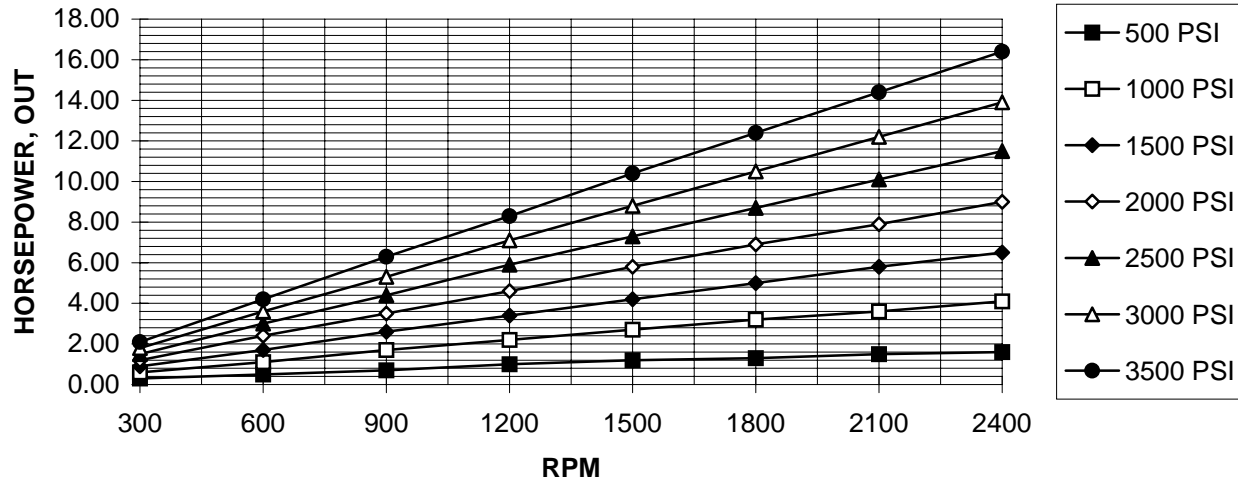
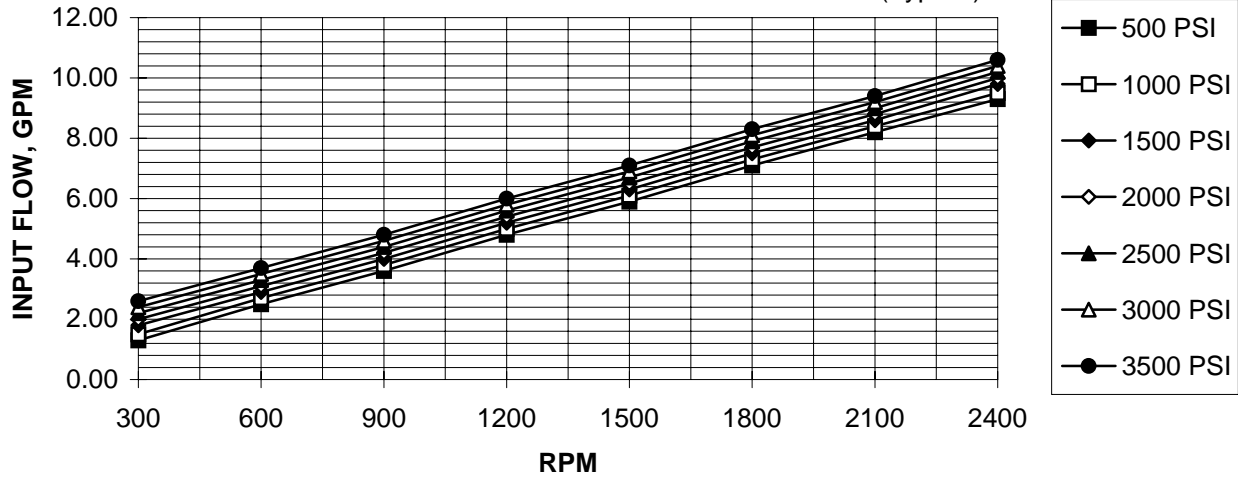


CASE DRAIN  
SAE #6 O-RING BOSS  
9/16-18UNF-2B  
MUST BE USED IF BACK  
PRESSURE EXCEEDS 100 PSI

# GEARTEK MC45 MOTOR PERFORMANCE

SAE 10W oil @ 150 degrees F

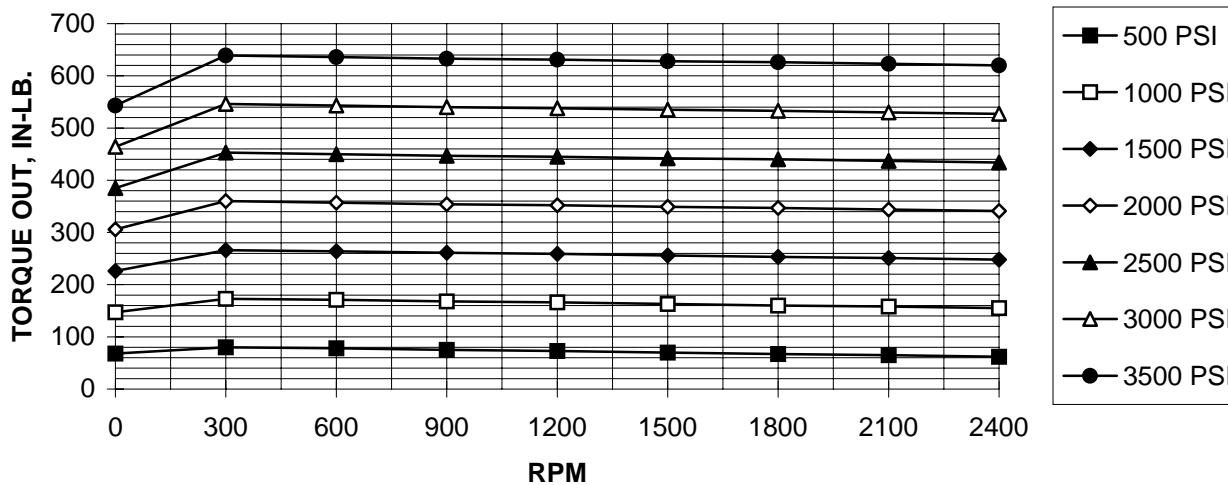
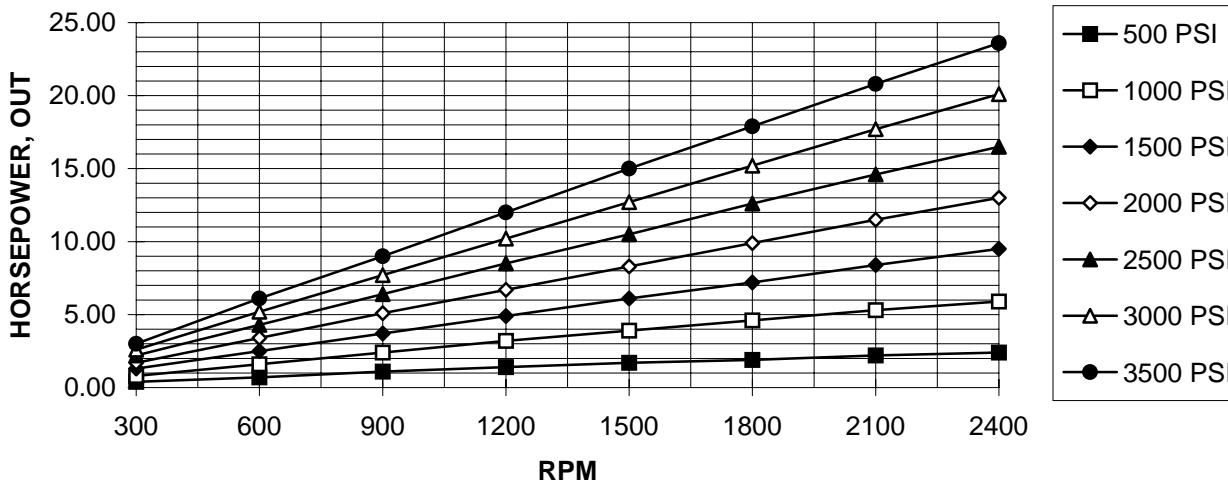
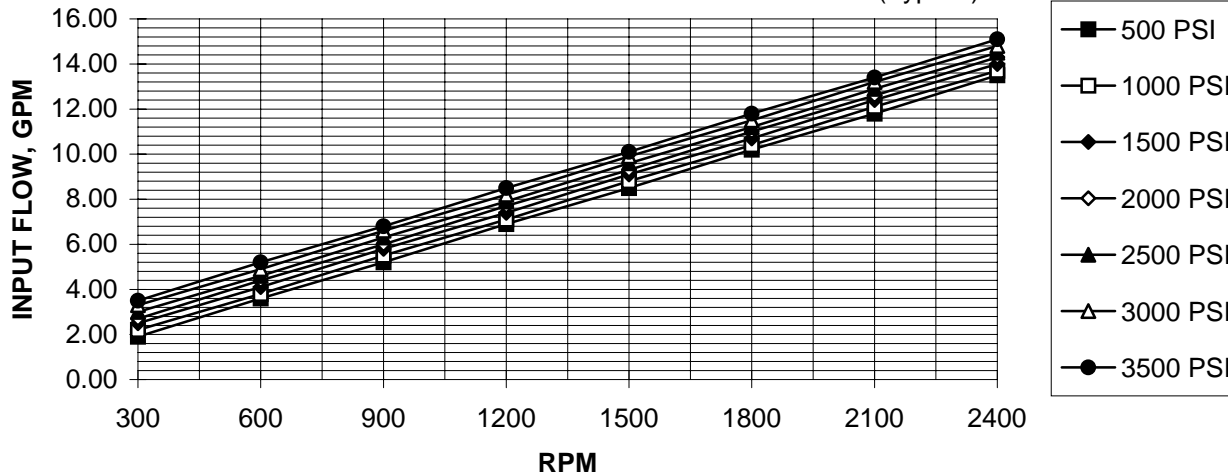
(Typical)



# GEARTEK MC65 MOTOR PERFORMANCE

SAE 10W oil @ 150 degrees F

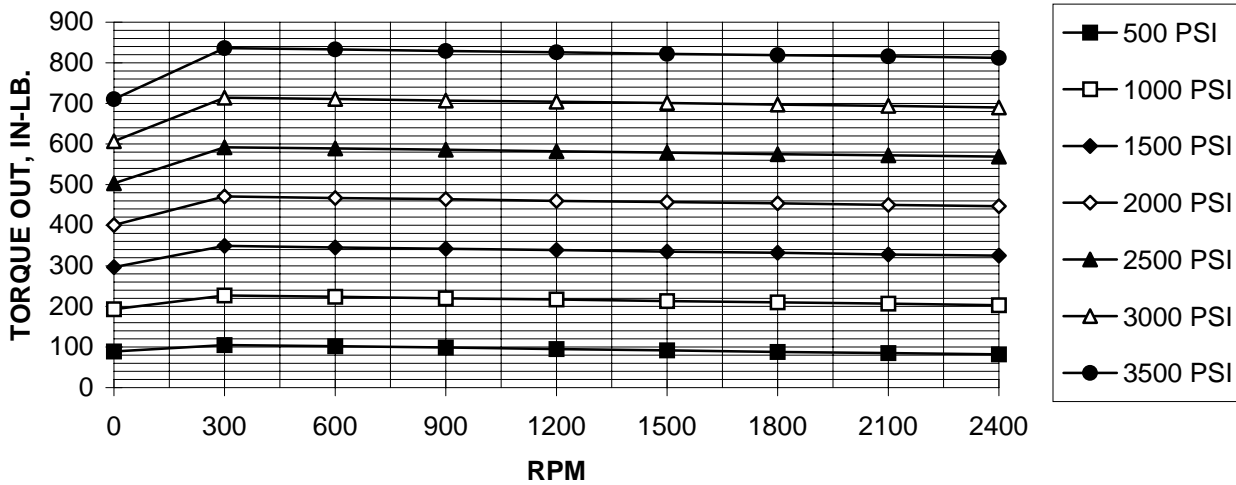
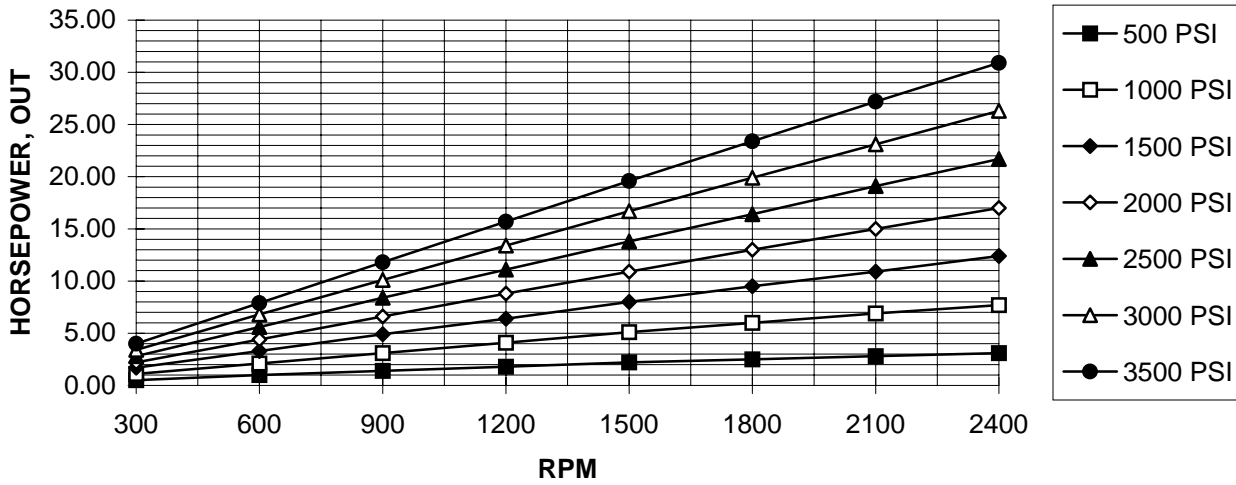
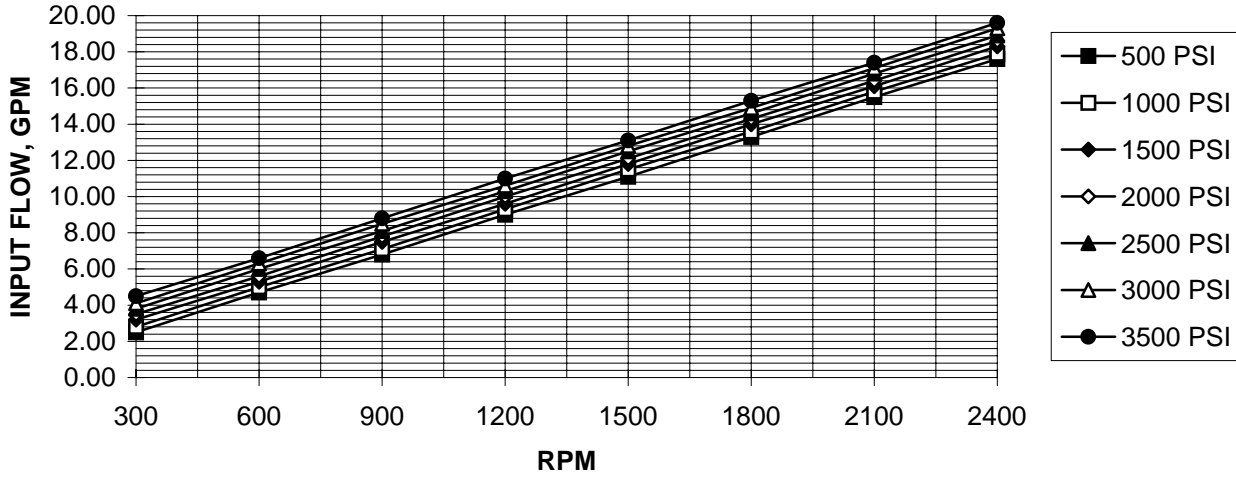
(Typical)



# GEARTEK MC85 MOTOR PERFORMANCE

SAE 10W oil @ 150degrees F

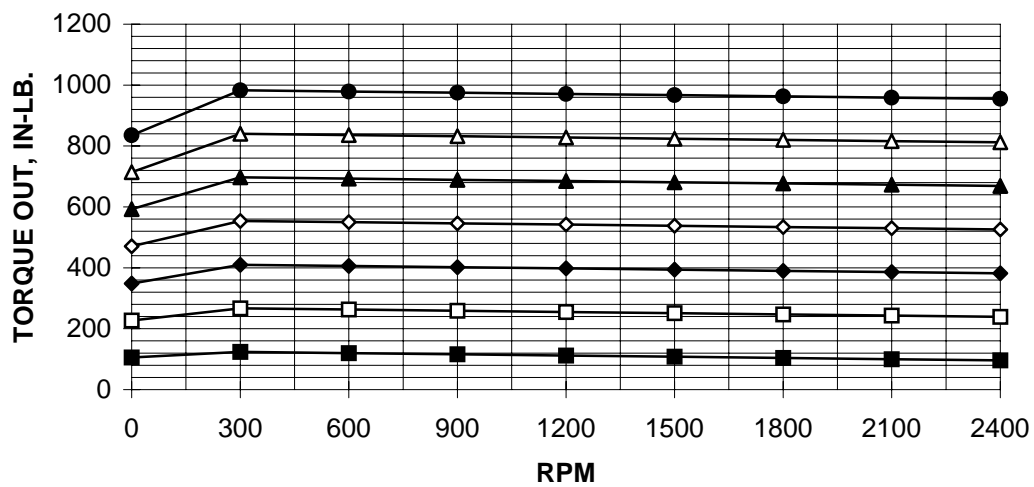
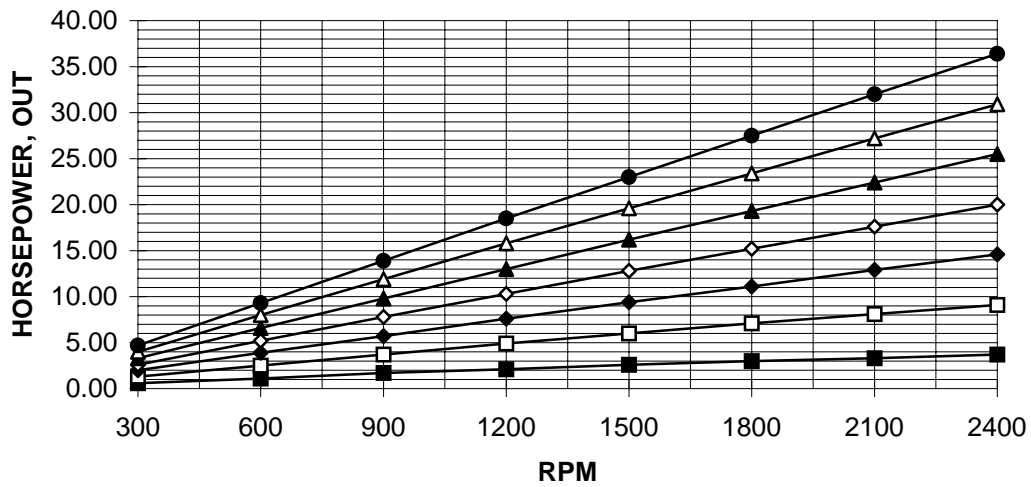
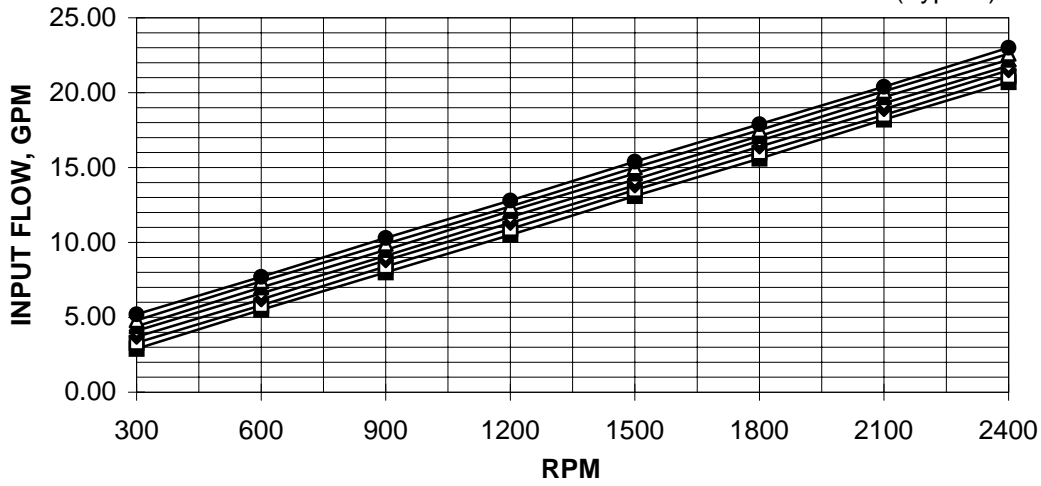
(Typical)



# GEARTEK MC100 MOTOR PERFORMANCE

SAE 10W oil @ 150degrees F

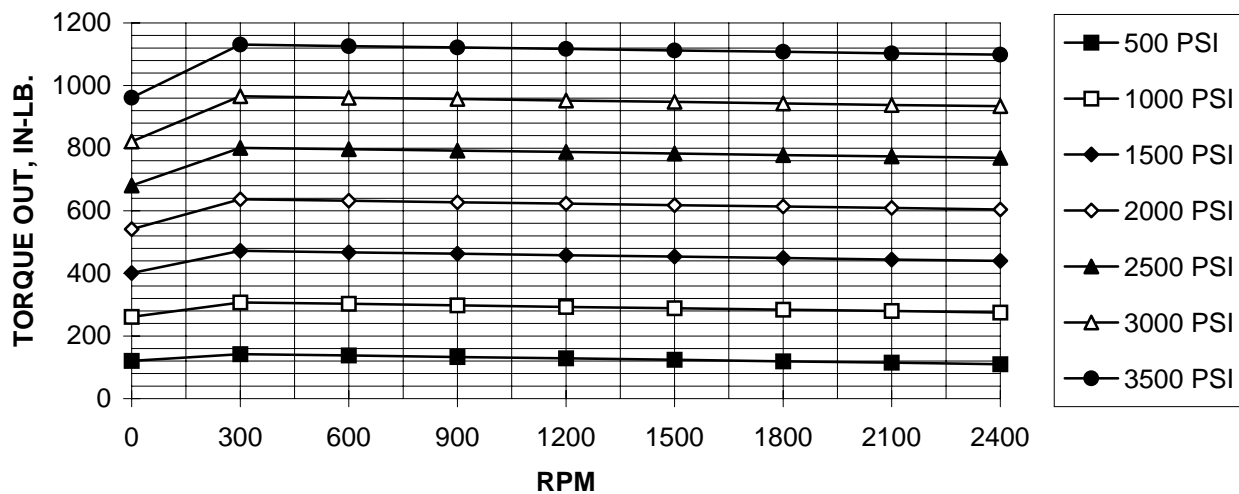
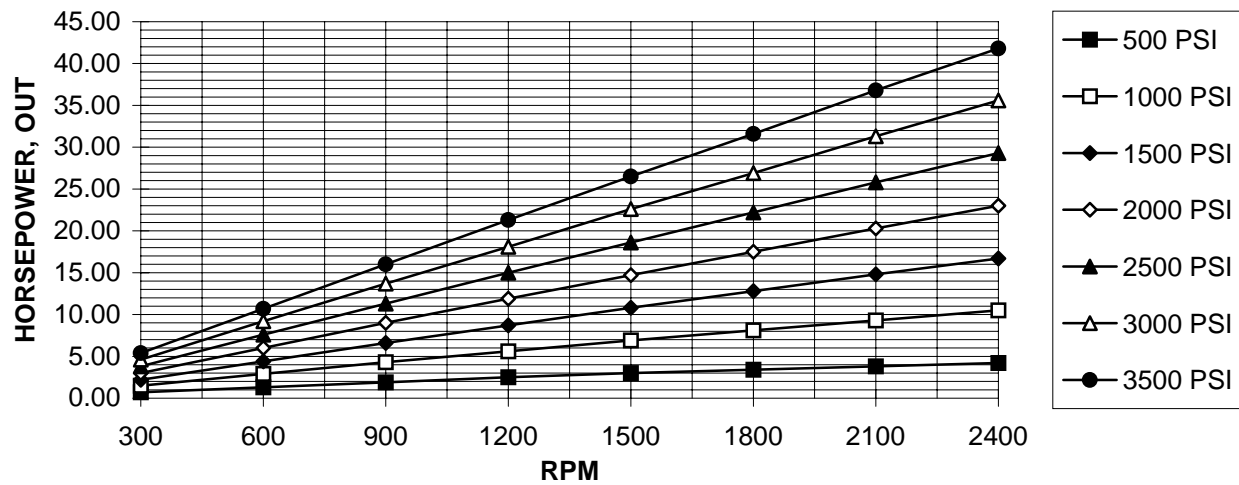
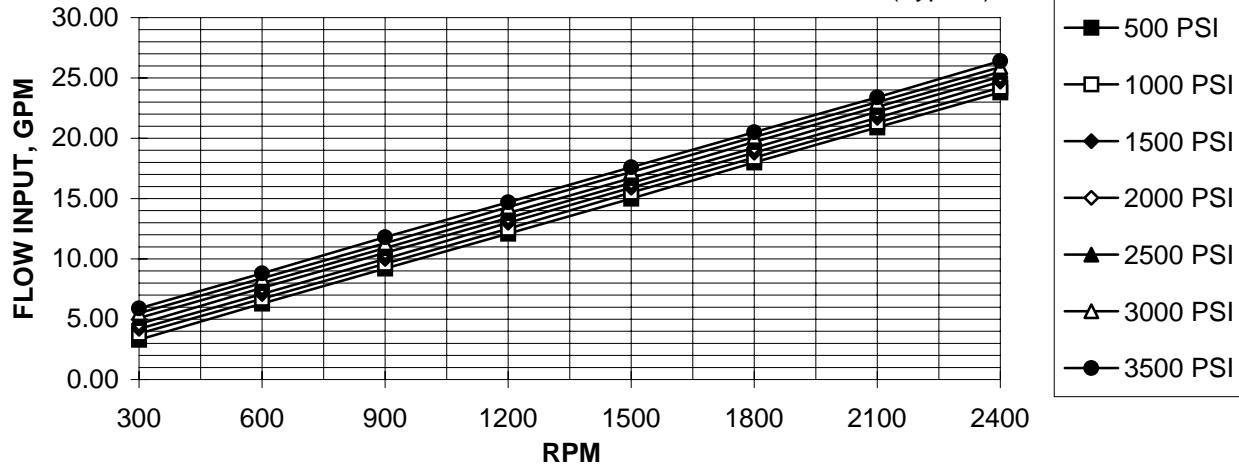
(Typical)



# GEARTEK MC115 MOTOR PERFORMANCE

SAE 10W oil @ 150 degrees F

(Typical)

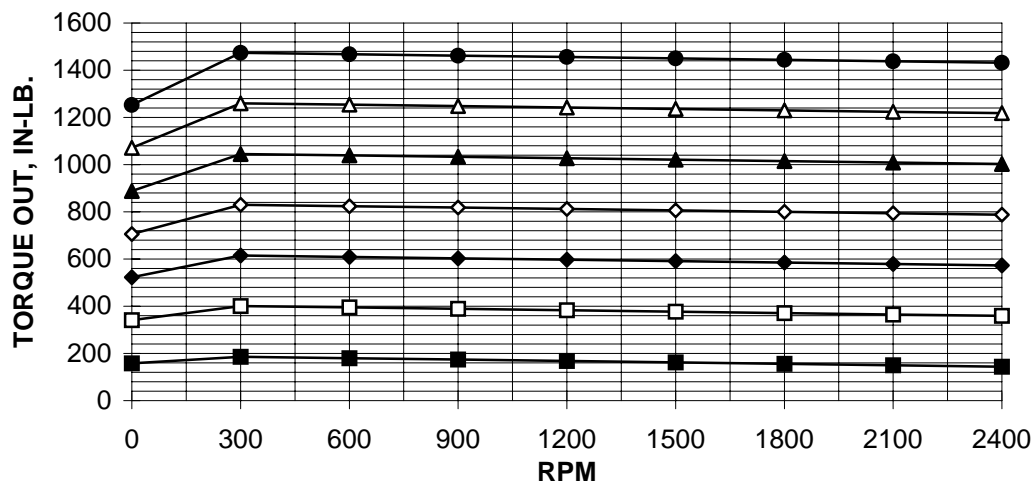
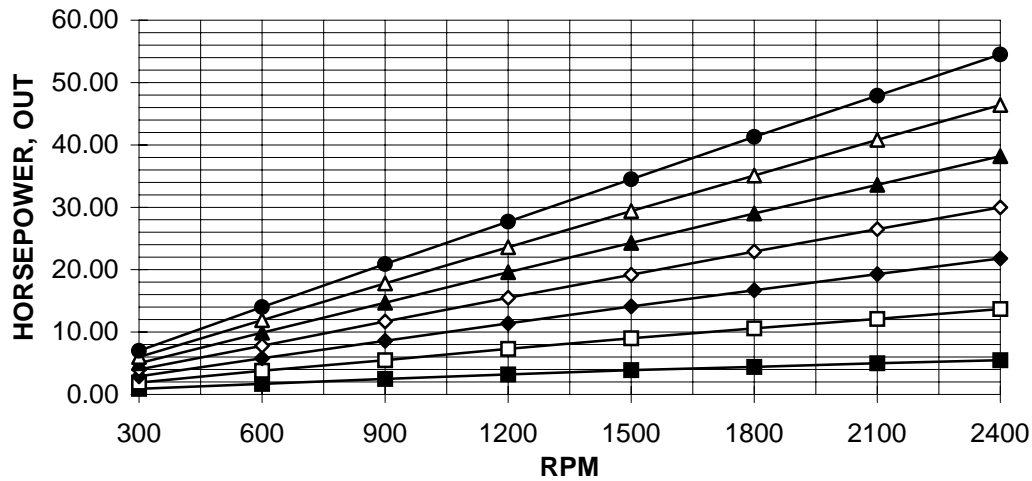
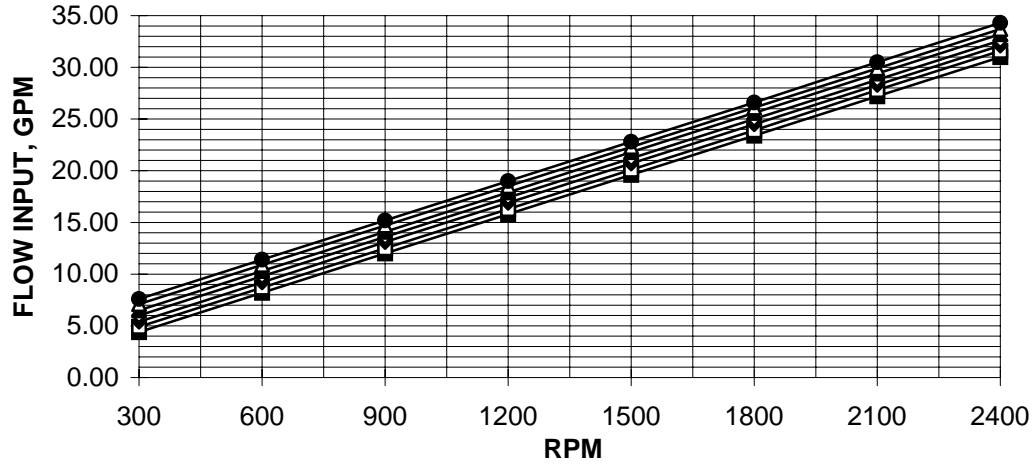




# GEARTEK MC150 MOTOR PERFORMANCE

SAE 10W oil @ 150 degrees F

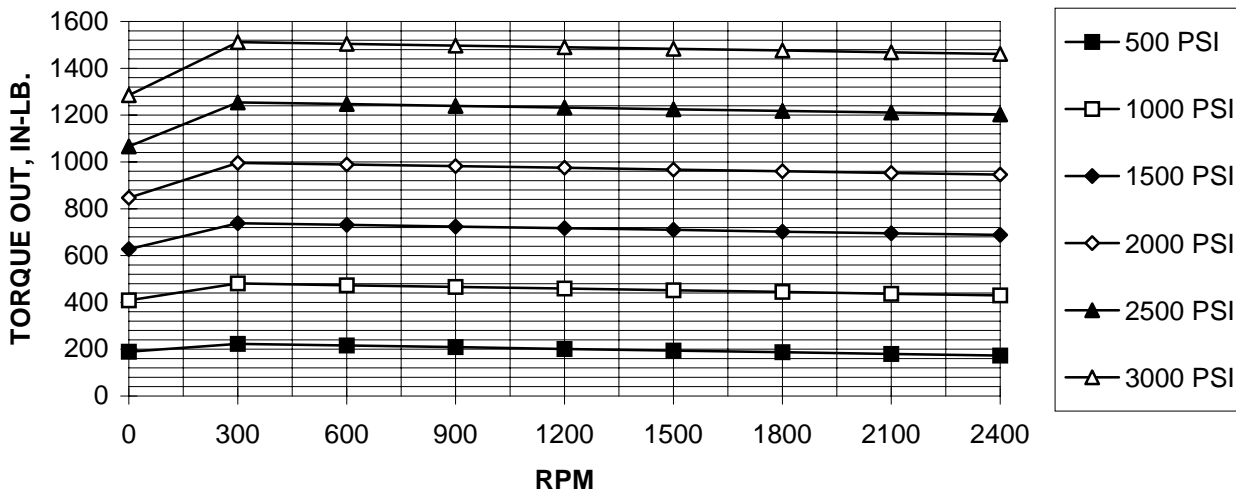
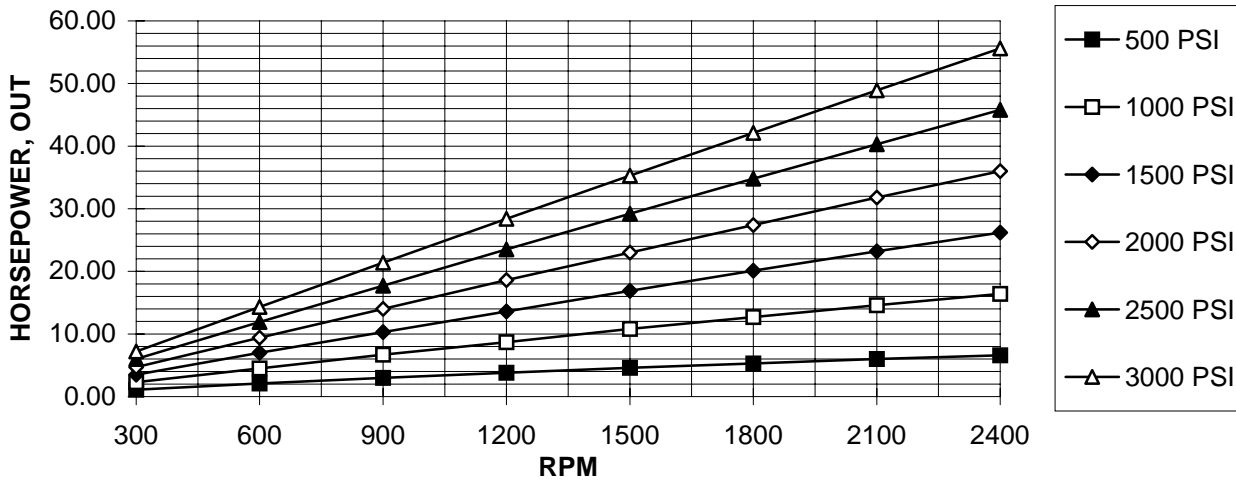
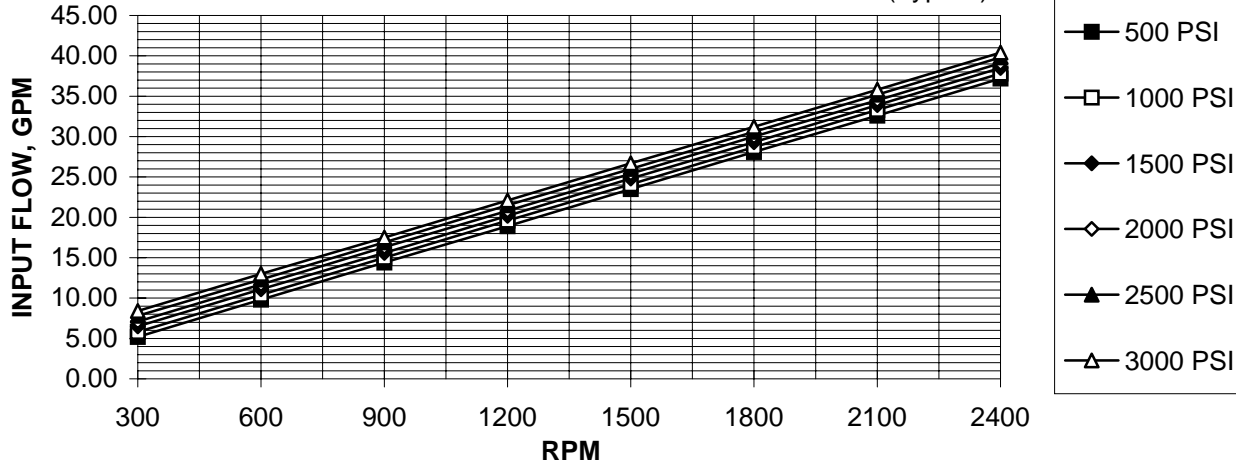
(Typical)



# GEARTEK MC180 MOTOR PERFORMANCE

SAE 10W oil @ 150 degrees F

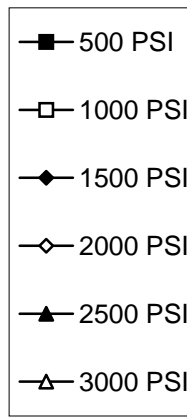
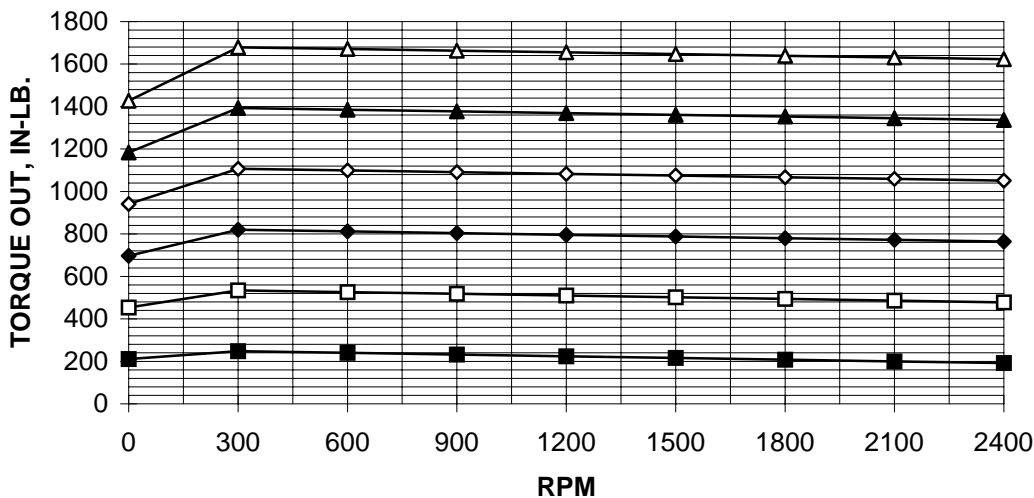
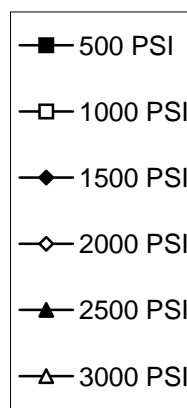
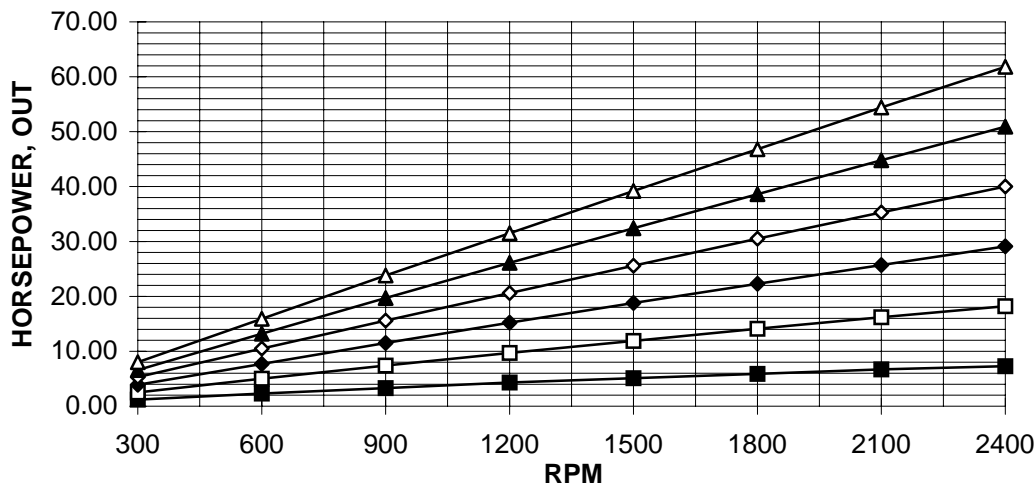
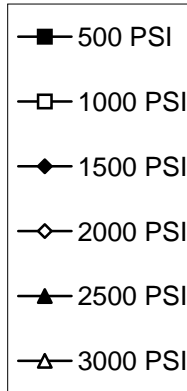
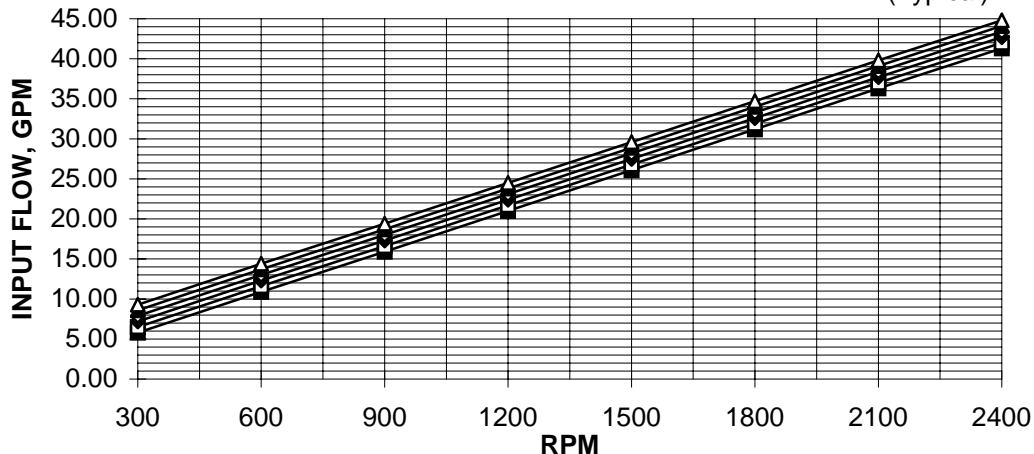
(Typical)



# GEARTEK MC200 MOTOR PERFORMANCE

SAE 10W oil @ 150 degrees F

(Typical)



**'RPMC' Series**  
SINGLE MOTOR  
SINGLE REVERSIBLE PUMP



**Performance  
Data**

MODEL SIZE	DISPLACEMENT/REVOLUTION (THEORETICAL)					IN-LB TORQUE @ 2400 RPM & 2500 PSI		HP/OUT @ 2400 RPM & 2500 PSI	MAX. PRESSURE	
	U.S. GALLONS	CUBIC INCHES	CUBIC CENT.	RPM		START	RUN		PSI	BAR
				MIN.	MAX.					
RPMC45	.0038	0.88	14.4	600	3600	241	301	11	3500	241
RPMC65	.0055	1.27	20.8	600	3600	347	434	16	3500	241
RPMC85	.0072	1.66	27.2	600	3400	455	569	22	3500	241
RPMC100	.0085	1.96	32.1	600	3300	535	669	25	3500	241
RPMC115	.0097	2.24	36.7	600	3100	615	769	29	3000	207
RPMC150	.0127	2.93	48.1	600	2800	802	1003	38	2500	172
RPMC180	.0152	3.51	57.5	600	2500	962	1203	46	2500*	172
RPMC200	.0169	3.90	63.9	600	2200	1069	1337	51	2500*	172

\* CONSULT FACTORY WITH TYPE APPLICATION  
PRESSURES MAY BE LIMITED TO SHAFT TYPE

- CAST IRON THROUGHOUT
- PRESSURES TO 3500 PSI
- FLOWS TO 37 GPM
- HEAVY DUTY SLEEVE TYPE BEARINGS
- DOUBLE VITON® SHAFT SEALS STANDARD
- PRESSURE COMPENSATED THRUST PLATES
- DESIGNED FOR HEAVY DUTY APPLICATIONS
- SINGLE AND MULTI-STAGE CONFIGURATIONS
- VARIOUS SHAFT, FLANGE AND PORT OPTIONS
- PRECISION GEARS MACHINED FROM SOLID BAR STOCK
- COMPATIBLE WITH MOST FIRE RESISTANT FLUIDS
- CONTAMINANT RESISTANT
- COMPUTER DESIGNED AND MANUFACTURED
- QUALITY CERTIFIED
- FLEXIBLE DESIGN FOR NEW OR OEM REPLACEMENTS
- SERVICE SUPPORTED BY DEDICATION AND INVENTORY

P. O. BOX 2160, 1506 FULTON DR.  
CORINTH, MISSISSIPPI 38835

Phone: 662/286-2252 Fax: 662/287-6580 E-mail: [haisales@geartek.com](mailto:haisales@geartek.com) Http: [www.geartek.com](http://www.geartek.com)

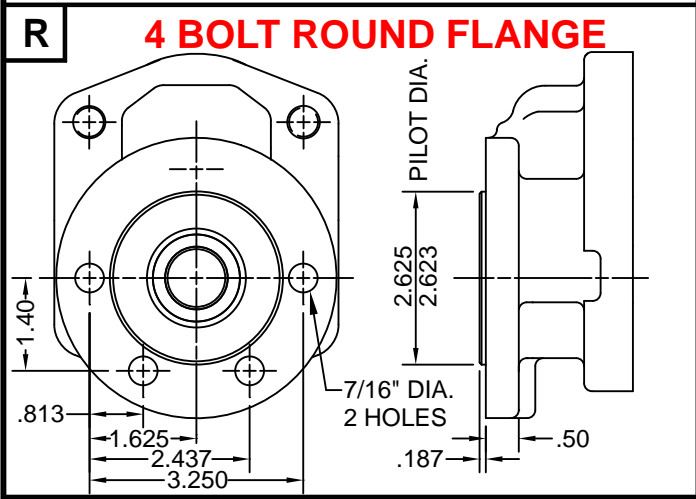
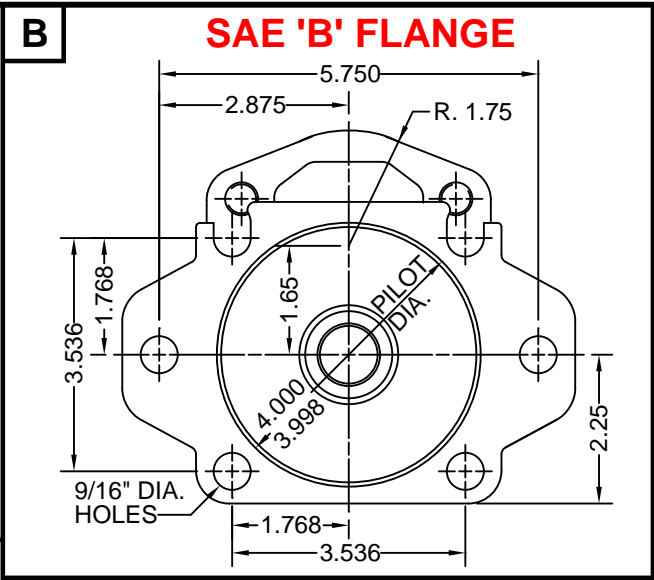
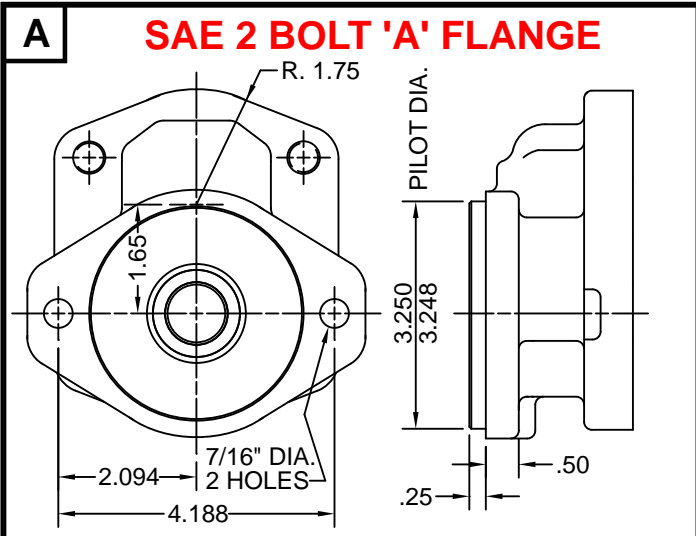
## SHAFTS AVAILABLE

<p><b>1</b> <b>5/8"-9 TOOTH SPLINE</b>          AVAILABLE ON 45 THRU 100 SIZES ONLY          TORQUE LIMIT 52 FT.-LBS.</p> <p><b>FLAT ROOT SIDE FIT</b></p> <table border="1"> <tr><td>DIAMETRAL PITCH</td><td>16/32</td></tr> <tr><td>PRESSURE ANGLE</td><td>30°</td></tr> <tr><td>NO. OF TEETH</td><td>9</td></tr> <tr><td>MINOR DIA.</td><td>.465-.475</td></tr> </table>	DIAMETRAL PITCH	16/32	PRESSURE ANGLE	30°	NO. OF TEETH	9	MINOR DIA.	.465-.475	<p><b>2</b> <b>7/8"-13 TOOTH SPLINE</b>          TORQUE LIMIT 184 FT.-LBS.</p> <p><b>FLAT ROOT SIDE FIT</b></p> <table border="1"> <tr><td>DIAMETRAL PITCH</td><td>16/32</td></tr> <tr><td>PRESSURE ANGLE</td><td>30°</td></tr> <tr><td>NO. OF TEETH</td><td>13</td></tr> <tr><td>MINOR DIA.</td><td>.722-.733</td></tr> </table>	DIAMETRAL PITCH	16/32	PRESSURE ANGLE	30°	NO. OF TEETH	13	MINOR DIA.	.722-.733
DIAMETRAL PITCH	16/32																
PRESSURE ANGLE	30°																
NO. OF TEETH	9																
MINOR DIA.	.465-.475																
DIAMETRAL PITCH	16/32																
PRESSURE ANGLE	30°																
NO. OF TEETH	13																
MINOR DIA.	.722-.733																
<p><b>5</b> <b>7/8" STRAIGHT</b>          TORQUE LIMIT 184 FT.-LBS.</p>	<p><b>6</b> <b>3/4" STRAIGHT</b>          AVAILABLE ON 45 THRU 115 SIZES ONLY          TORQUE LIMIT 105 FT.-LBS.</p>																

## PORTS AVAILABLE

<p><b>1</b> <b>REAR PORTED SAE STRAIGHT THREAD</b></p>	<p><b>3</b> <b>SAE 4-BOLT CONNECTOR</b></p>																											
<p><b>5</b> <b>SIDE PORTED SAE STRAIGHT THREAD</b></p>	<p><b>PORT SIZES</b></p> <table border="1"> <thead> <tr> <th>SIZE</th> <th>FOR CODE 1 &amp; 5 PORTS BOTH SIDES SAE STRAIGHT THREAD O-RING BOSS</th> <th>FOR CODE 3 PORTS BOTH SIDES SAE 4-BOLT CODE 61</th> </tr> </thead> <tbody> <tr><td>RPMC45</td><td>NO. 12 1 1/16-12UN-2B</td><td>3/4"</td></tr> <tr><td>RPMC65</td><td>NO. 16 1 5/16-12UN-2B</td><td>1"</td></tr> <tr><td>RPMC85</td><td>NO. 16 1 5/16-12UN-2B</td><td>1"</td></tr> <tr><td>RPMC100</td><td>NO. 16 1 5/16-12UN-2B</td><td>1"</td></tr> <tr><td>RPMC115</td><td>NO. 20 1 5/8-12UN-2B</td><td>1 1/4"</td></tr> <tr><td>RPMC150</td><td>NO. 20 1 5/8-12UN-2B</td><td>1 1/4"</td></tr> <tr><td>RPMC180</td><td>NO. 20 1 5/8-12UN-2B</td><td>1 1/4"</td></tr> <tr><td>RPMC200</td><td>NO. 20 1 5/8-12UN-2B</td><td>1 1/4"</td></tr> </tbody> </table>	SIZE	FOR CODE 1 & 5 PORTS BOTH SIDES SAE STRAIGHT THREAD O-RING BOSS	FOR CODE 3 PORTS BOTH SIDES SAE 4-BOLT CODE 61	RPMC45	NO. 12 1 1/16-12UN-2B	3/4"	RPMC65	NO. 16 1 5/16-12UN-2B	1"	RPMC85	NO. 16 1 5/16-12UN-2B	1"	RPMC100	NO. 16 1 5/16-12UN-2B	1"	RPMC115	NO. 20 1 5/8-12UN-2B	1 1/4"	RPMC150	NO. 20 1 5/8-12UN-2B	1 1/4"	RPMC180	NO. 20 1 5/8-12UN-2B	1 1/4"	RPMC200	NO. 20 1 5/8-12UN-2B	1 1/4"
SIZE	FOR CODE 1 & 5 PORTS BOTH SIDES SAE STRAIGHT THREAD O-RING BOSS	FOR CODE 3 PORTS BOTH SIDES SAE 4-BOLT CODE 61																										
RPMC45	NO. 12 1 1/16-12UN-2B	3/4"																										
RPMC65	NO. 16 1 5/16-12UN-2B	1"																										
RPMC85	NO. 16 1 5/16-12UN-2B	1"																										
RPMC100	NO. 16 1 5/16-12UN-2B	1"																										
RPMC115	NO. 20 1 5/8-12UN-2B	1 1/4"																										
RPMC150	NO. 20 1 5/8-12UN-2B	1 1/4"																										
RPMC180	NO. 20 1 5/8-12UN-2B	1 1/4"																										
RPMC200	NO. 20 1 5/8-12UN-2B	1 1/4"																										

# FLANGES AVAILABLE

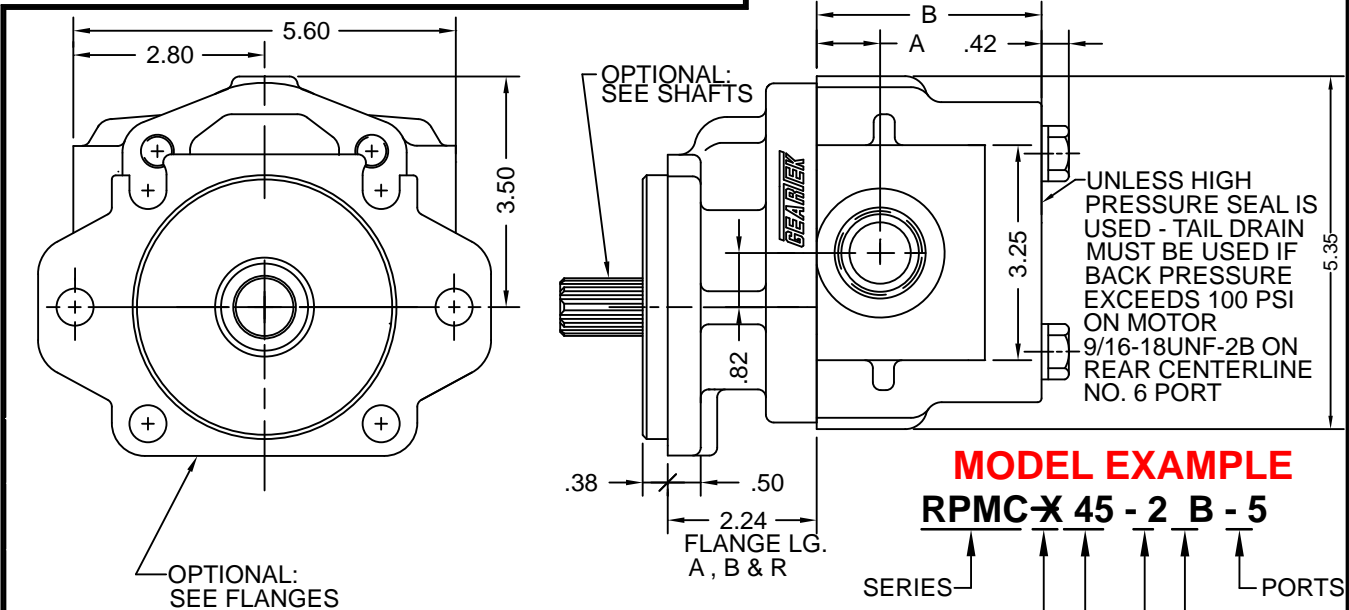


**MOUNTING DIMENSIONS**

SIZE	A	B
RPMC45	1.06	2.98
RPMC65	1.06	3.20
RPMC85	1.06	3.41
RPMC100	1.06	3.57
RPMC115	1.25	3.73
RPMC150	1.25	4.10
RPMC180	1.25	4.42
RPMC200	1.25	4.64

FOR METRIC DIMENSIONS  
MULTIPLY 25.4 X IN. = mm

## DIMENSIONAL DATA



**MODEL EXAMPLE**  
**RPMC-X 45 - 2 B - 5**

SERIES  
OPTIONAL: SPECIFY CODE 'H' THIS AREA FOR HIGH PRESSURE SEAL OTHERWISE: LEAVE BLANK  
PORTS  
FLANGE  
SHAFT  
SIZE

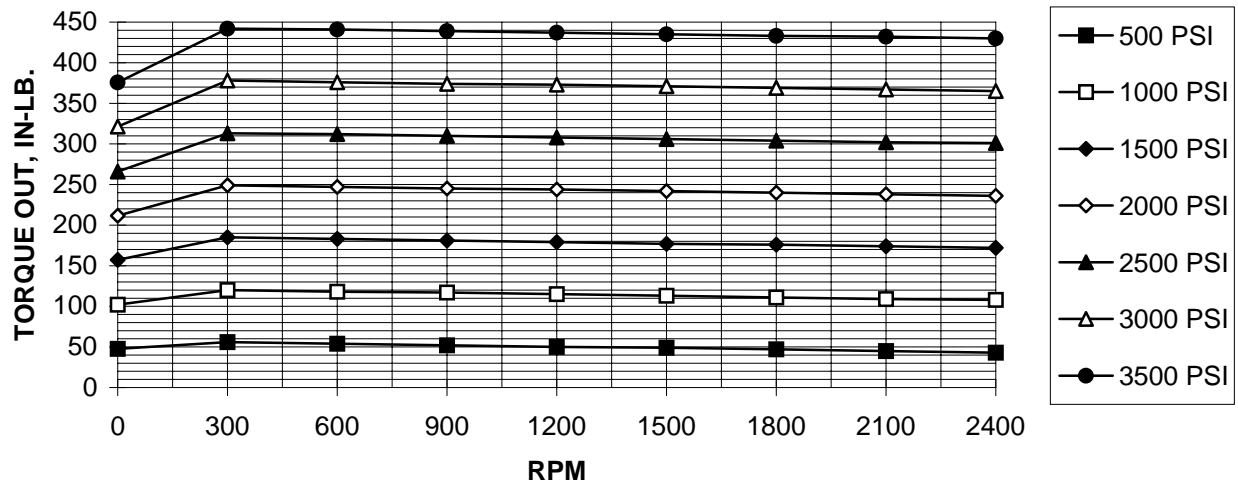
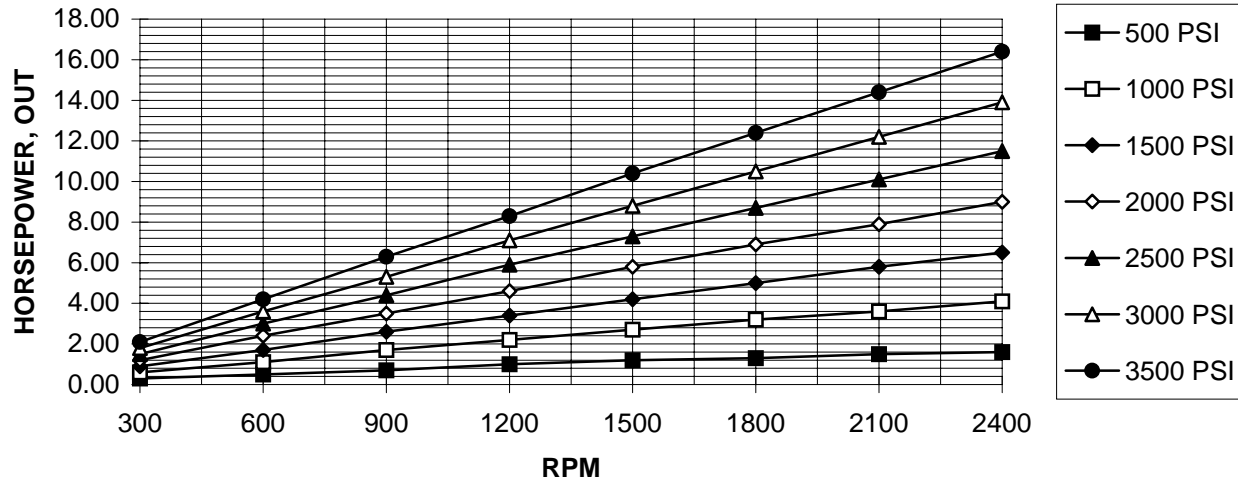
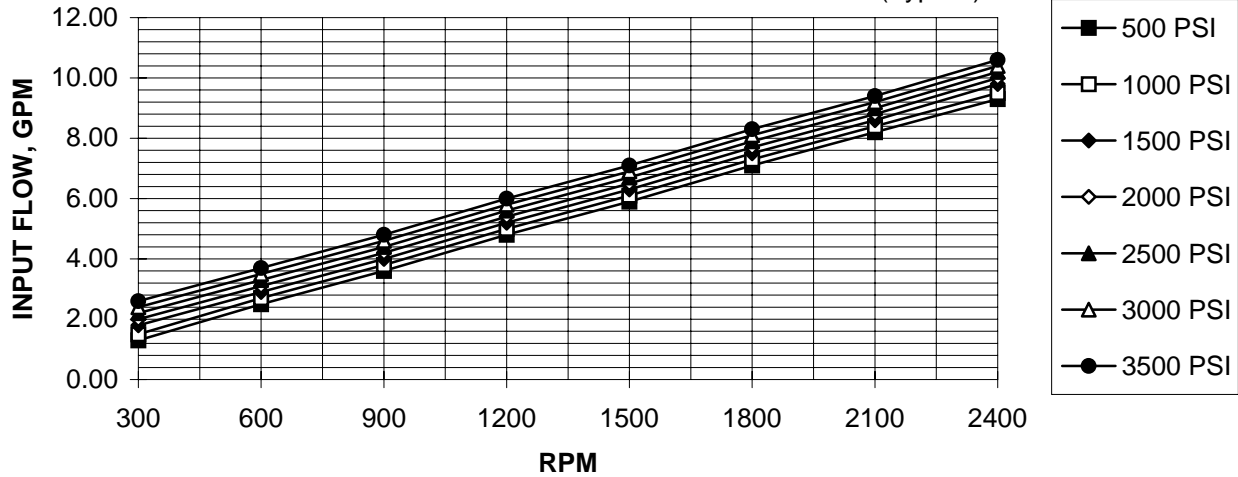
OTHER PORT TYPES AVAILABLE  
CONSULT FACTORY

\* THE OPTIONAL HIGH PRESSURE SEAL MAY BE USED WHEN DRAIN LINES ARE NOT PRACTICAL.  
FOR SYSTEMS TOLERATING A DRAIN LINE, ELIMINATE THE 'H' FROM THE MODEL CODE.

# GEARTEK MC45 MOTOR PERFORMANCE

SAE 10W oil @ 150 degrees F

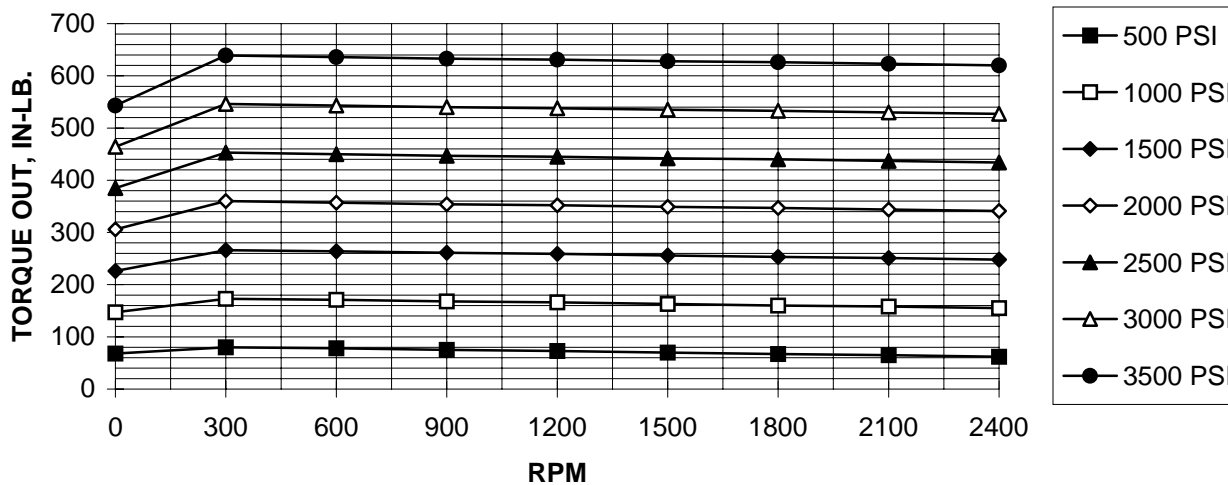
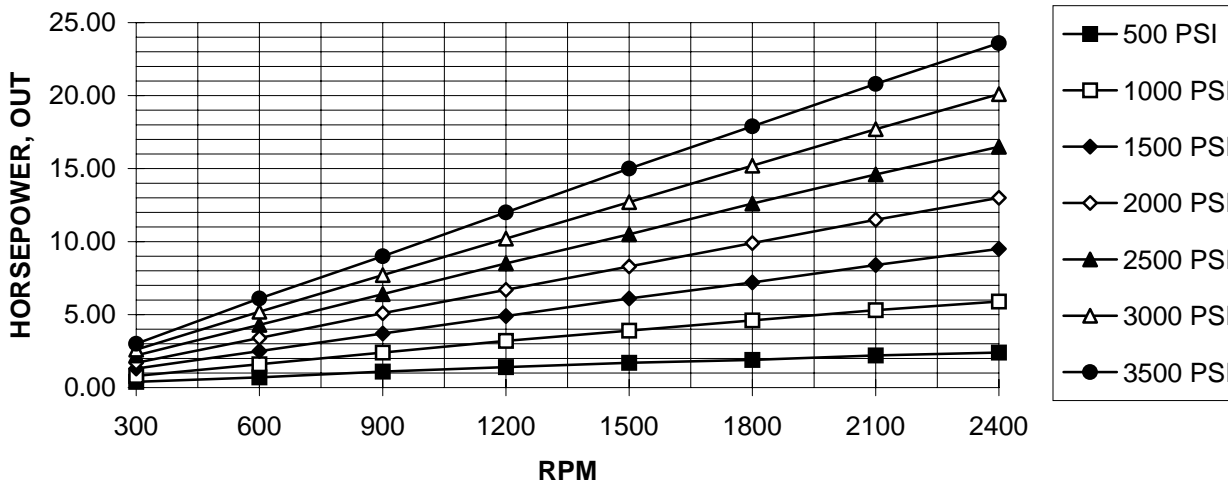
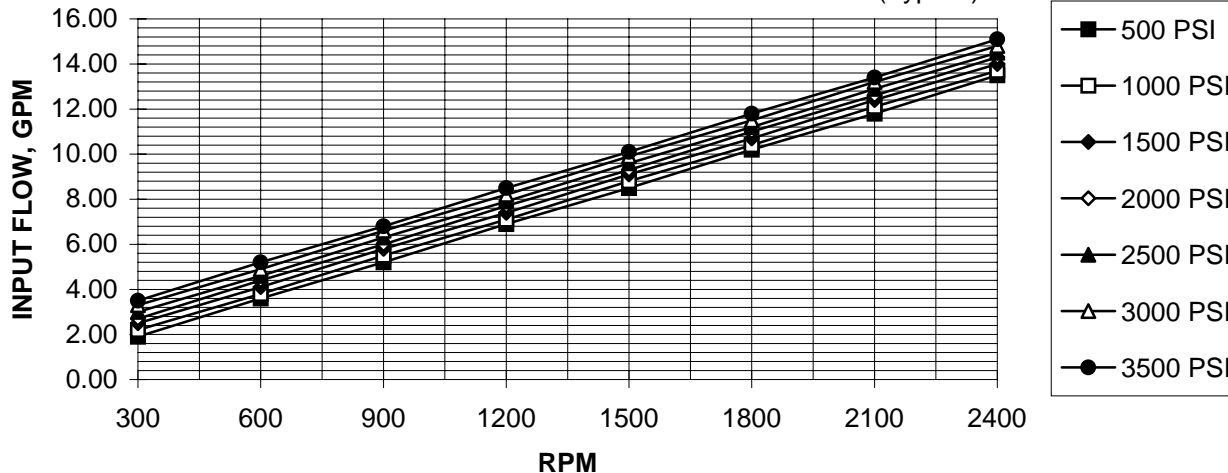
(Typical)



# GEARTEK MC65 MOTOR PERFORMANCE

SAE 10W oil @ 150 degrees F

(Typical)

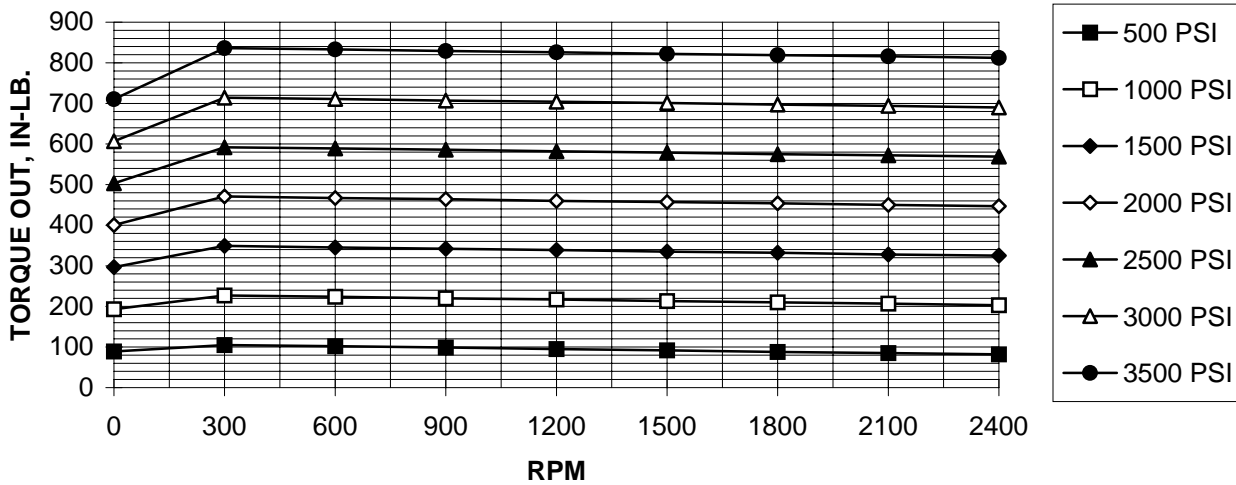
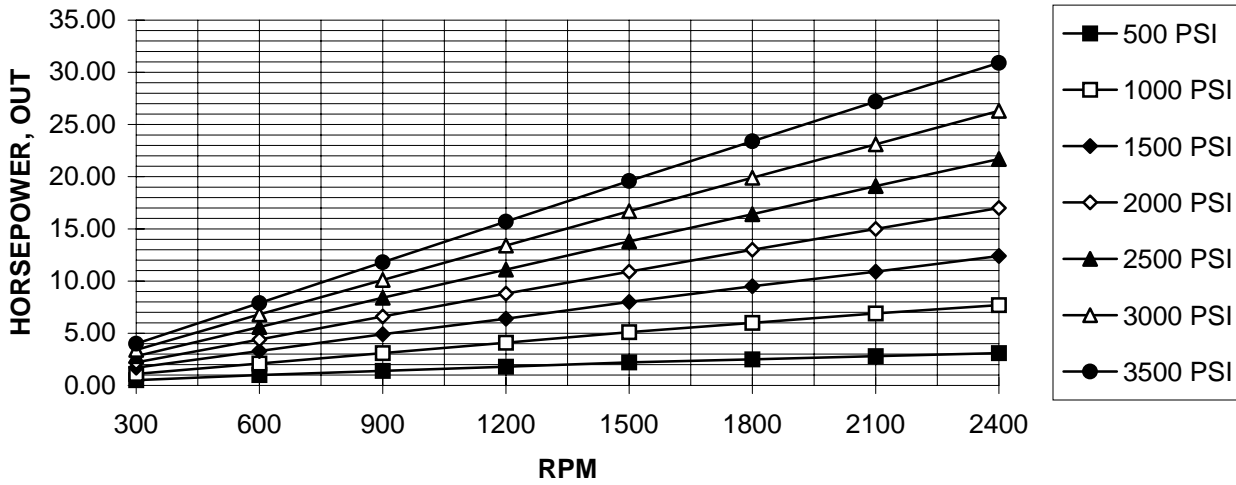
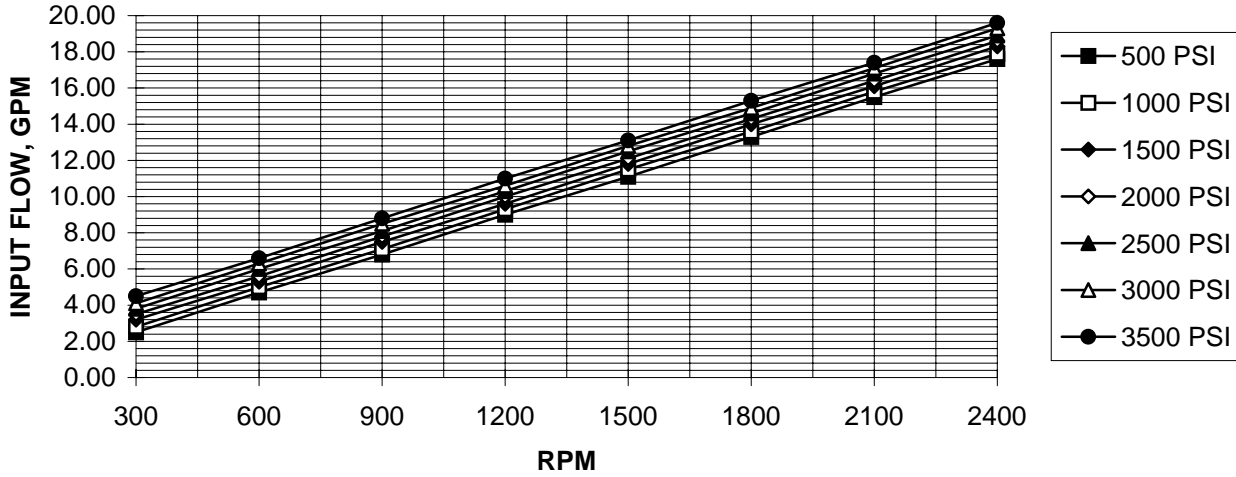




# GEARTEK MC85 MOTOR PERFORMANCE

SAE 10W oil @ 150degrees F

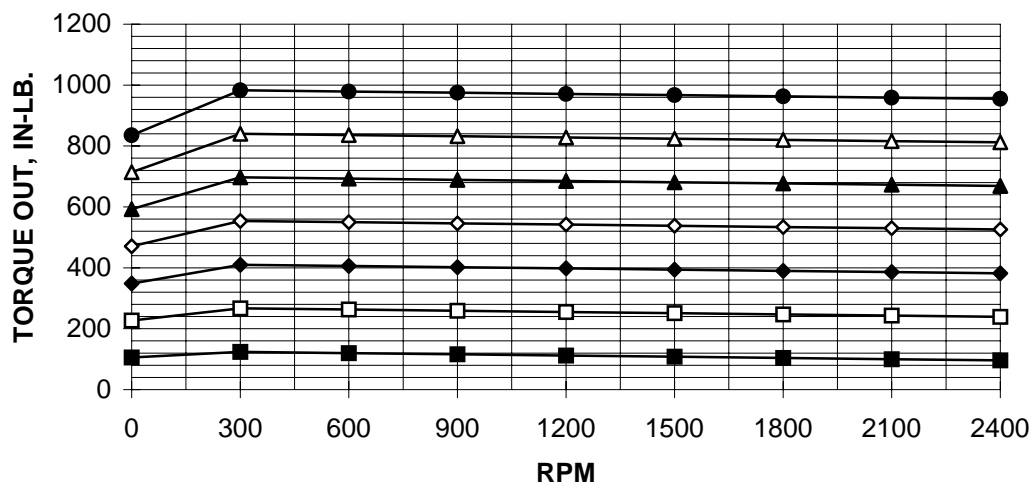
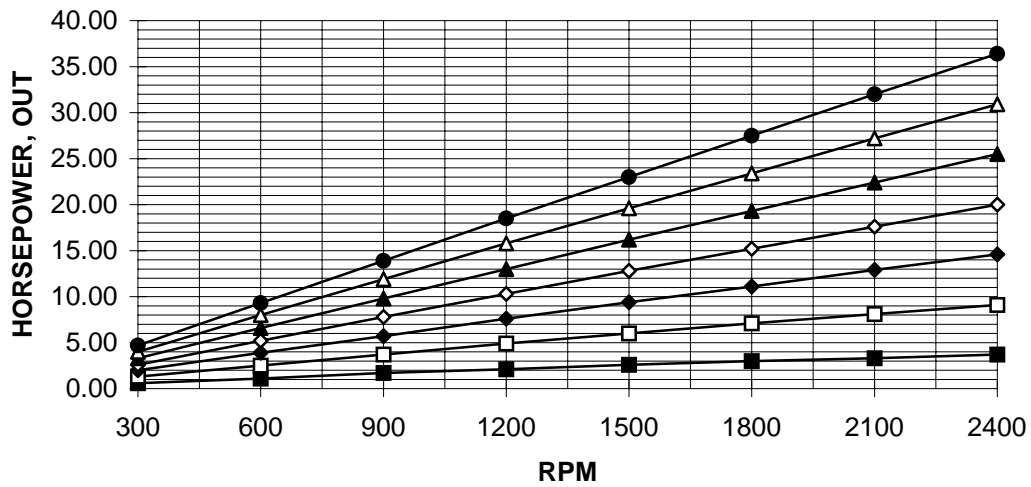
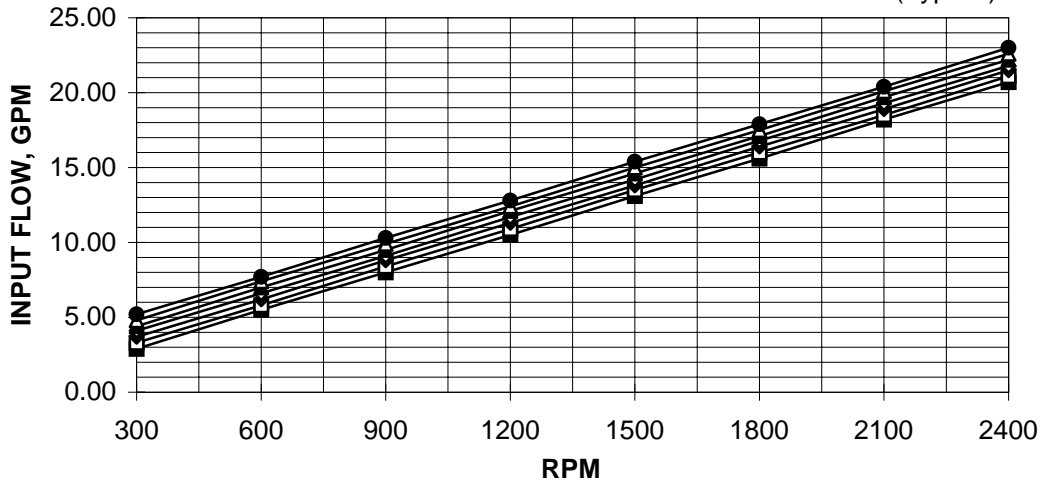
(Typical)



# GEARTEK MC100 MOTOR PERFORMANCE

SAE 10W oil @ 150degrees F

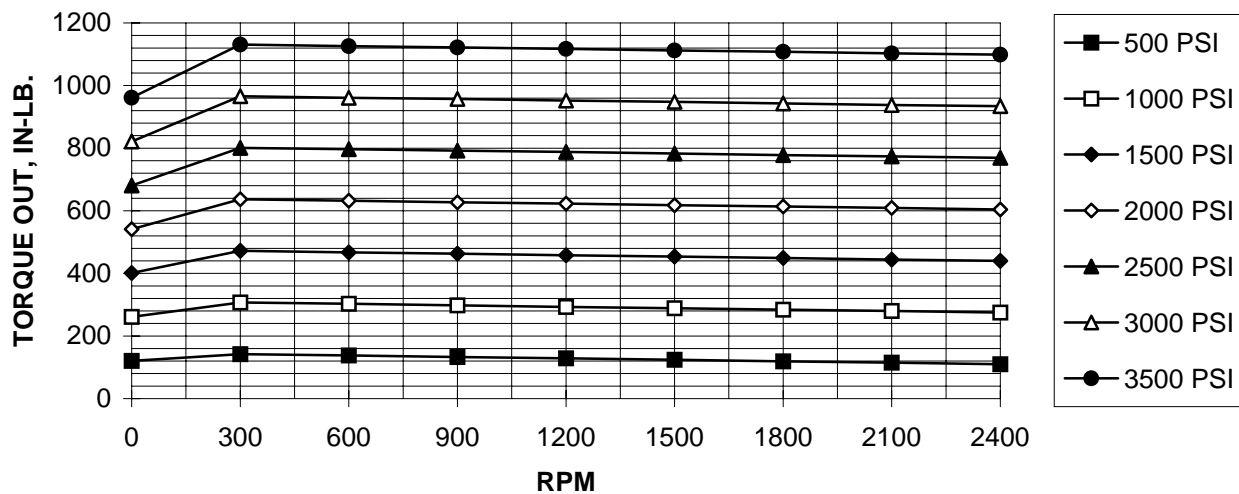
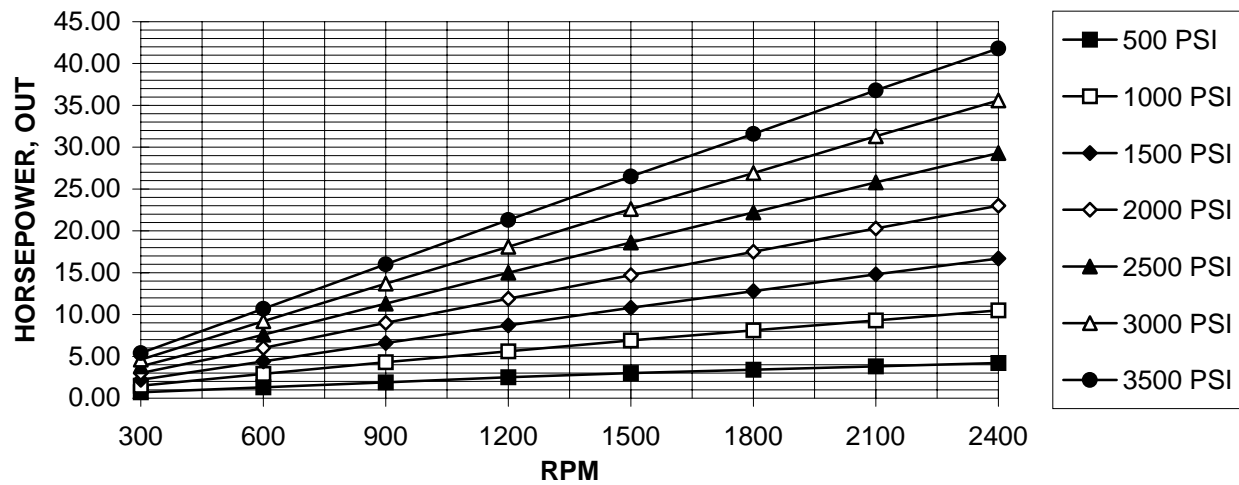
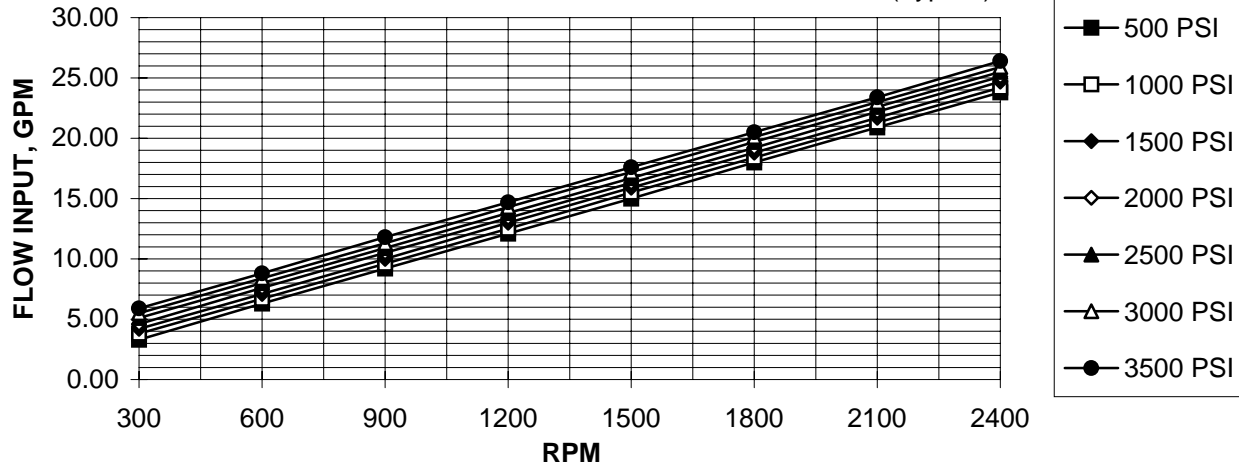
(Typical)



# GEARTEK MC115 MOTOR PERFORMANCE

SAE 10W oil @ 150 degrees F

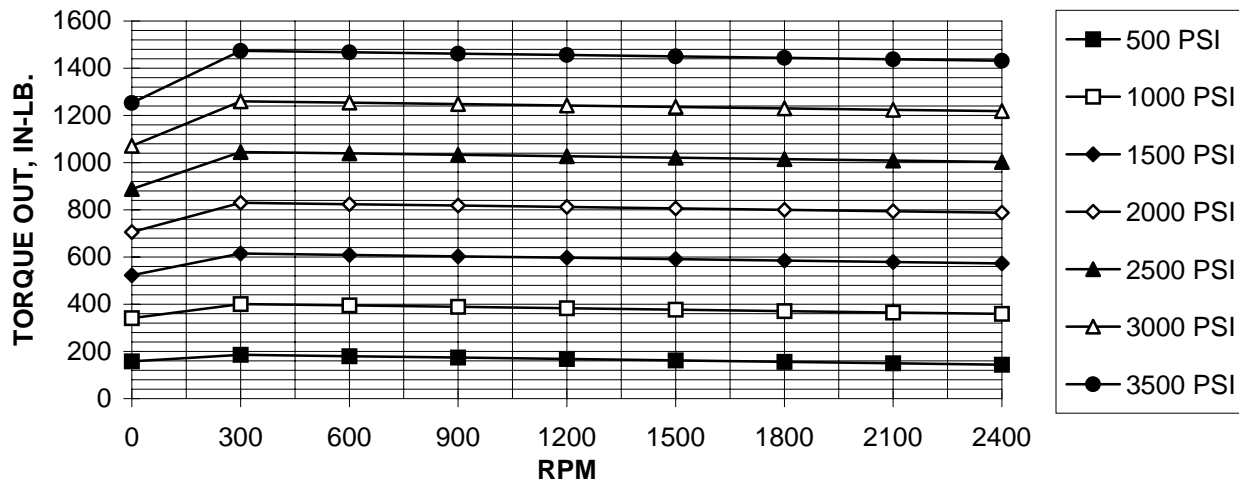
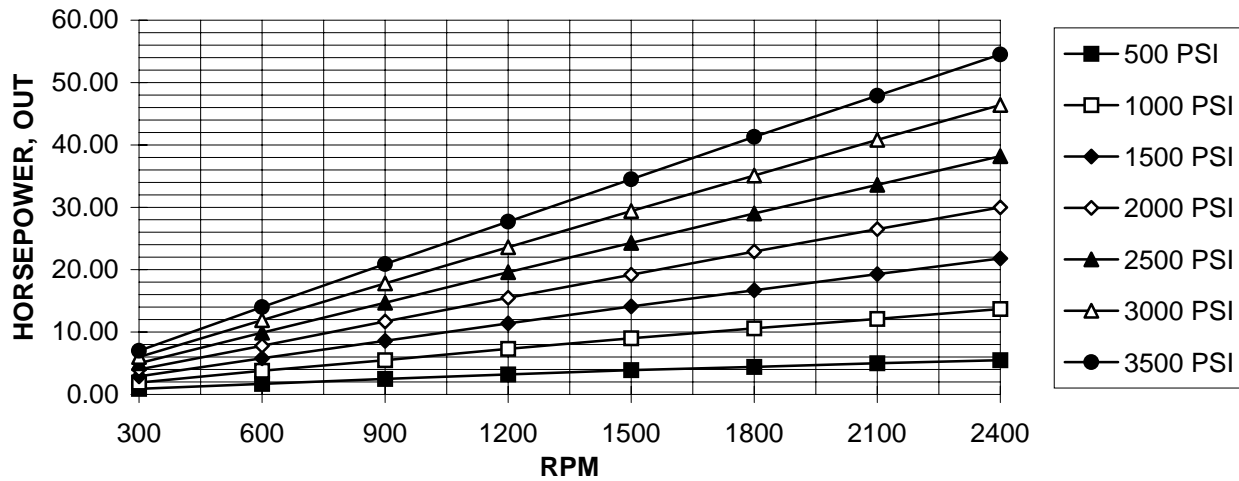
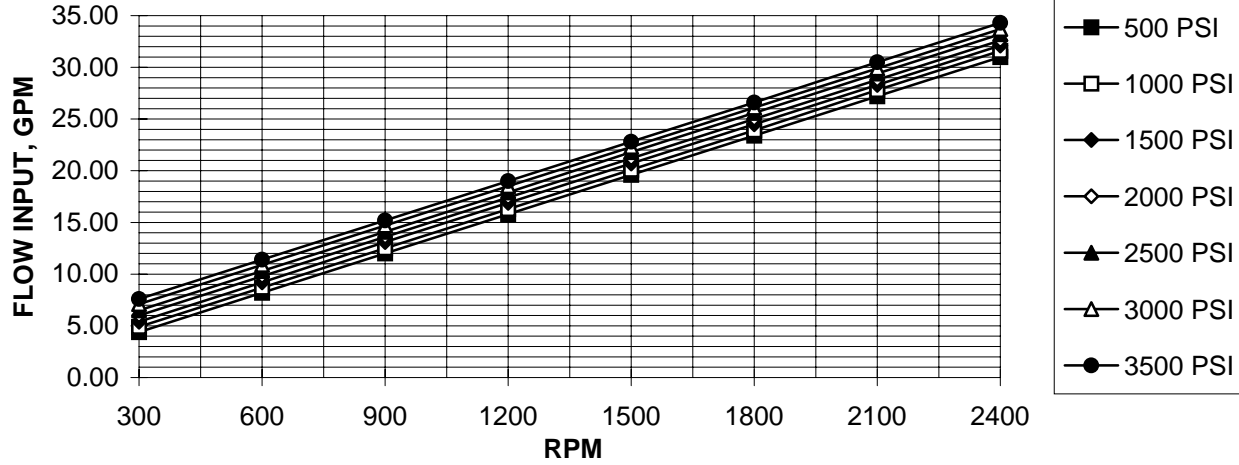
(Typical)



# GEARTEK MC150 MOTOR PERFORMANCE

SAE 10W oil @ 150 degrees F

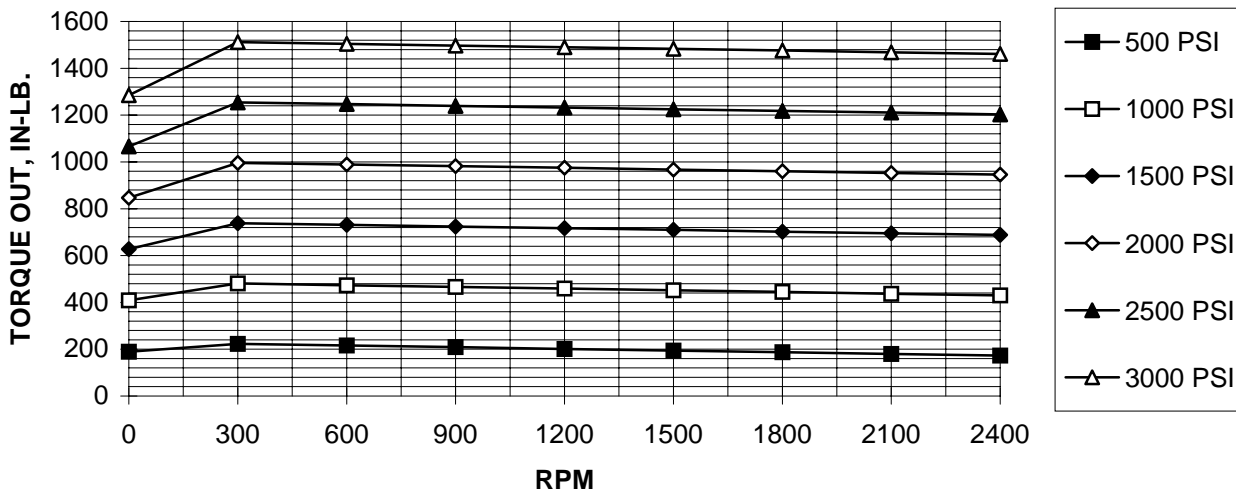
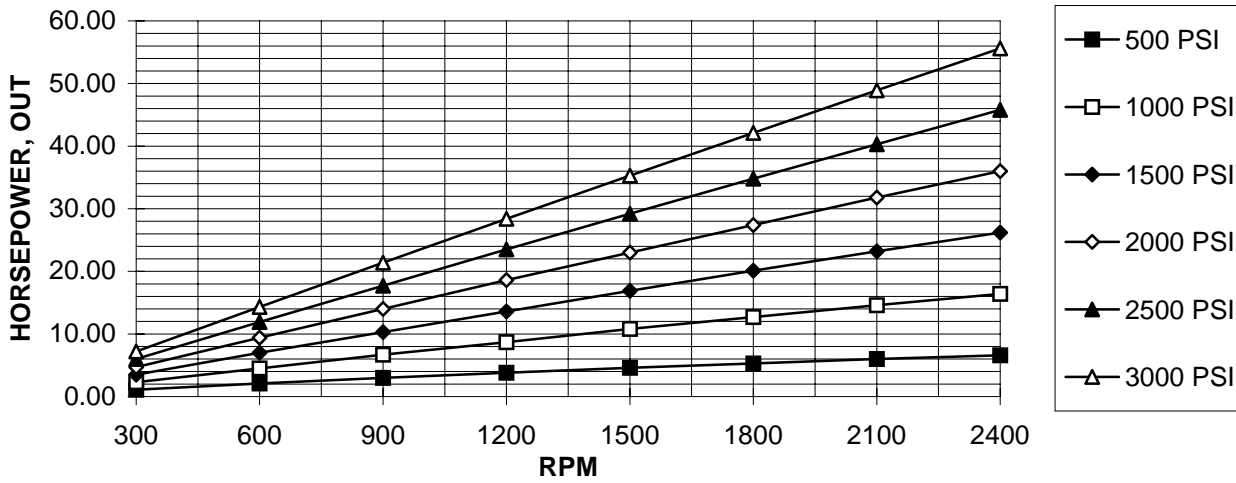
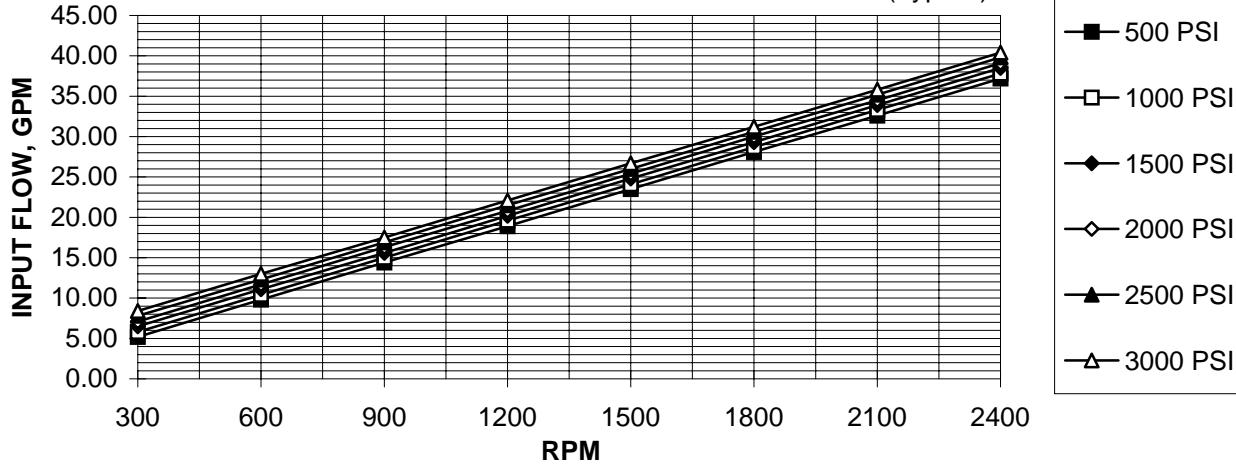
(Typical)



# GEARTEK MC180 MOTOR PERFORMANCE

SAE 10W oil @ 150 degrees F

(Typical)



# GEARTEK MC200 MOTOR PERFORMANCE

SAE 10W oil @ 150 degrees F

(Typical)

