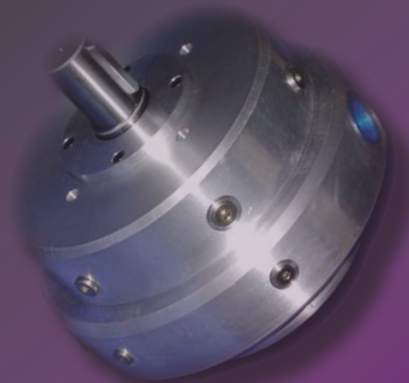


The logo for DMIC features the letters 'D', 'M', and 'I' in red, and 'C' in blue. The 'M' is a large, stylized blue letter. The letters are superimposed on a glowing, semi-transparent image of the Earth, which is centered on the Atlantic Ocean. A blue wavy line, resembling a water surface, is positioned below the globe.

DMIC



HYDRAULIC PUMPS

'DPG' GEAR PUMPS

Premium efficiency and low noise, with precise mechanical interchange in mainstream US applications

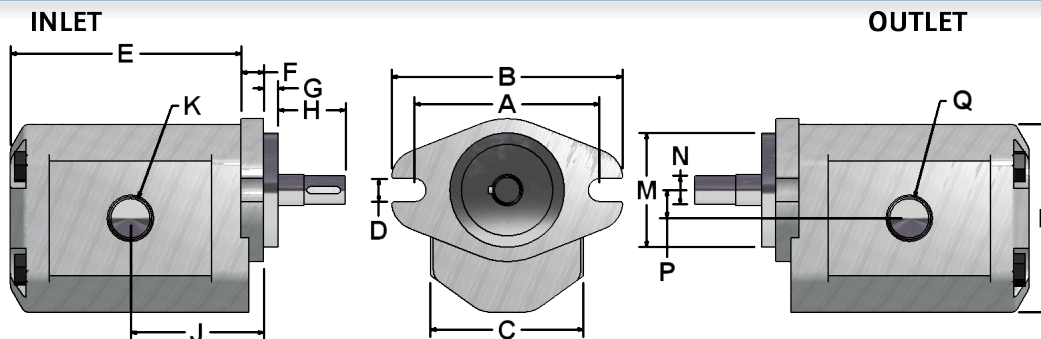
Field Proven DMIC Gear Pumps are here, with design features, performance and quality that can eliminate the need to consider low-end options. Accurate machining, with premium materials and finishing, contribute to our pumps' class leading mechanical and volumetric efficiency.

Much more than a "me too" product in a world of knockoffs, DMIC's 'DPG' lineup brings tangible advantages in durability to your series production or low volume power unit projects. DMIC Gear Pumps are now available in single-unit quantities through the comprehensive network of DMIC Hydraulic Valve Distributors.

'DPG10' & 'DPG11' Gear Pumps

From 0.6-12.5 GPM ; To 3800 PSI ; Two body styles for SAE AA2 (DPG10, 2-bolt or 4f17 (DPG11,4-bolt) flange mount ; SAE ORB inlet/outlet ports

Dimension Views

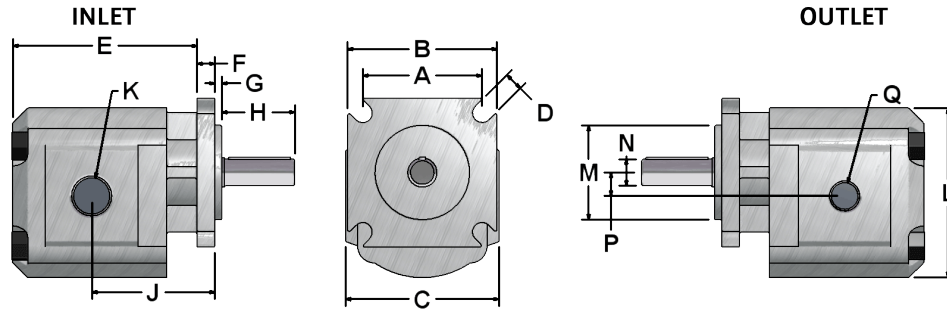


DPG10	Gear Pumps, Size Group 1, SAE AA2 Mount														
	Dimensions (in)														
Part Number	A Mounting Width	B Flange Width	C Pump Width	D Bolt Clearance	E Pump Length	F Flange Thickness	G Pilot Thickness	H Shaft Length	J Mounting Face To Port	K Inlet Port Thread	L Pump Height	M Pilot Diameter	N Shaft Diameter	P Shaft To Port	Q Outlet Port Thread
DPG10008**					2.86				1.65						
DPG10013**					2.94				1.69						
DPG10017**					3.02				1.73						
DPG10021**					3.09				1.77	-8 SAE					-6 SAE
DPG10025**					3.17				1.81						
DPG10031**	3.25	4.04	2.68	0.41	3.29	0.39	0.25	0.81	1.87		3.33	2.00	0.50	0.47	
DPG10038**					3.41				1.93						
DPG10046**					3.57				2.01						
DPG10056**					3.76				2.11						
DPG10067**					3.96				2.20	-10 SAE					-8 SAE
DPG10084**					4.28				2.36						

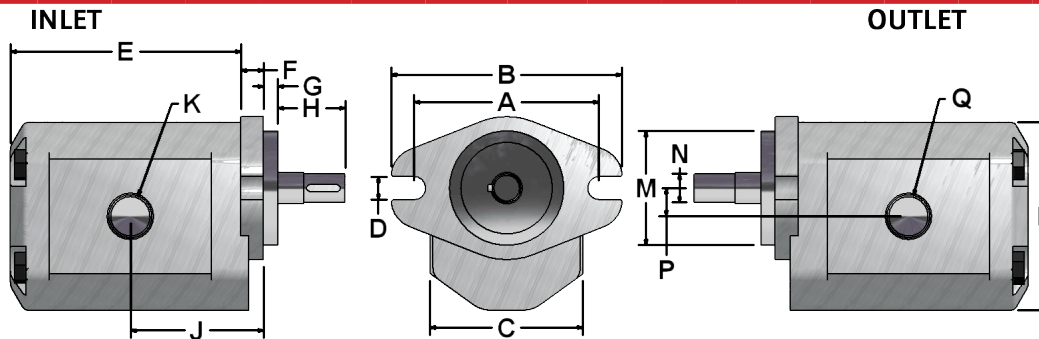
Due to our policy of continual product improvement, the specifications in this catalog may change without notice. When designing by spec, please request a certified print.



'DPG' GEAR PUMPS



DPG11	Gear Pumps, Size Group 1, SAE 4F17 Mount																
	Dimensions (in)																
Part Number	A Mounting Width	B Flange Width	C Pump Width	D Bolt Clearance	E Pump Length	F Flange Thickness	G Pilot Thickness	H Shaft Length	J Mounting Face To Port	K Inlet Port Thread	L Pump Height	M Pilot Diameter	N Shaft Diameter	P Shaft To Port	Q Outlet Port Thread		
DPG11008**	2.00	2.82	2.87	0.35	3.56	0.33	0.13	1.37	2.32	-8 SAE	3.19	1.78	0.50	0.47	-6 SAE		
DPG11013**					3.64				2.35								
DPG11017**					3.72				2.39								
DPG11021**					3.80				2.43								
DPG11025**					3.88				2.47								
DPG11031**					3.99				2.53								
DPG11038**					4.11				2.59								
DPG11046**					4.27				2.67								
DPG11056**					4.47				2.77								
DPG11067**					4.66				2.87								
DPG11084**					4.98				3.02							-10 SAE	-8 SAE

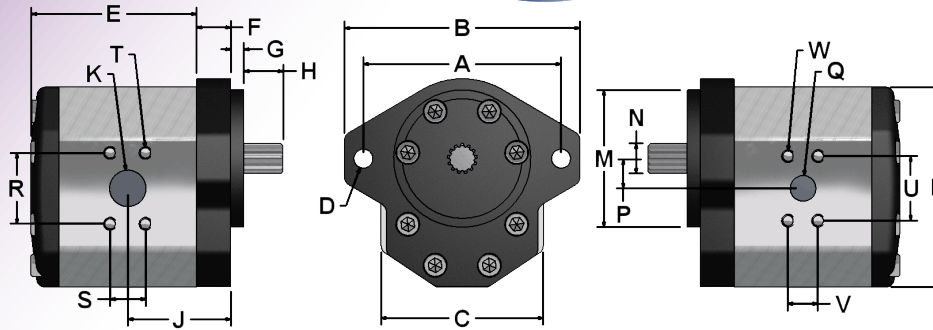


DPG20	Gear Pumps, Size Group 2, SAE A2 Mount														
	Dimensions (in)														
Part Number	A Mounting Width	B Flange Width	C Pump Width	D Bolt Clearance	E Pump Length	F Flange Thickness	G Pilot Thickness	H Shaft Length	J Mounting Face To Port	K Inlet Port Thread	L Pump Height	M Pilot Diameter	N Shaft Diameter	P Shaft To Port	Q Outlet Port Thread
DPG20027**	4.19	5.12	3.54	0.44	3.19	0.49	0.25	1.01	1.79	-12 SAE	4.02	3.25	0.63	0.61	-10 SAE
DPG20039**					3.31				1.85						
DPG20043**					3.35				1.87						
DPG20058**					3.51				1.95						
DPG20070**					3.62				2.01						
DPG20086**					3.78				2.09						
DPG20097**					3.90				2.15						
DPG20109**					4.02				2.20						
DPG20129**					4.21				2.30						
DPG20144**					4.37				2.38						
DPG20171**					4.65				2.52						
DPG20214**					5.08				2.74						

Due to our policy of continual product improvement, the specifications in this catalog may change without notice. When designing by spec, please request a certified print.



'DPG' GEAR PUMPS



Gear Pumps, Size Group 3, SAE B2 Mount																					
Dimensions (in)																					
Part Number	A Mounting Width	B Flange Width	C Pump Width	D Bolt Clear- ance	E Pump Length	F Flange Thick- ness	G Pilot Thick- ness	H Shaft Length	J Mounting Face To Port	K Inlet Thru Hole	L Pump Height	M Pilot Diameter	N Shaft Diameter	P Shaft To Port	Q Outlet Thru Hole	R Inlet Mounting Height	S Inlet Mounting Width	T Inlet Thread Size	U Outlet Mounting Height	V Outlet Mounting Width	W Outlet Thread Size
DPG30132**	5.75	6.85	4.72	0.56	4.29	0.75	0.38	1.30	2.56	1.06	5.83	4.00	0.87	0.87	0.75	2.06	1.03	3/8-16 UNC	1.88	0.88	3/8-16 UNC
DPG30159**					4.45				2.64												
DPG30203**					4.64				2.74												
DPG30238**					4.80				2.81												
DPG30264**					4.92				2.87												
DPG30317**					5.16				2.99												
DPG30370**					5.39				3.11												
DPG30432**					5.67				3.25												
DPG30476**					5.86				3.35												
DPG30528**					6.10				3.46												

Flow/Pressure Rating

DPG 10 & 11	Gear Pumps, Size Group 1, SAE AA2 Mount					
	Flow Ratings			Pressure Rating		
Part Number	Displ in ³ /rev	Flow GPM @ 1725s ⁻¹	Flow GPM @ 3450s ⁻¹	Continuous PSI	Peak PSI	Max RPM
DPG10008**	0.08	0.62	1.25	3200	3800	6000
DPG10013**	0.13	0.94	1.88	3200	3800	6000
DPG10017**	0.17	1.25	2.51	3200	3800	5000
DPG10021**	0.21	1.57	3.14	3200	3800	5000
DPG10025**	0.25	1.88	3.75	3000	3600	4000
DPG10031**	0.31	2.35	4.70	3000	3600	3500
DPG10038**	0.38	2.82	5.64	2900	3500	3000
DPG10046**	0.46	3.45	6.89	2600	3200	3500
DPG10056**	0.56	4.23	8.45	2600	3200	3000
DPG10067**	0.67	5.01	10.03	2200	2800	2500
DPG10084**	0.84	6.27	12.54	2200	2800	2000

DPG20	Gear Pumps, Size Group 2, SAE A2 Mount					
	Flow Ratings			Pressure Rating		
Part Number	Displ in ³ /rev	Flow GPM @ 1725s ⁻¹	Flow GPM @ 3450s ⁻¹	Continuous PSI	Peak PSI	Max RPM
DPG20027**	0.27	2.04	4.08	3300	3900	4000
DPG20039**	0.39	2.91	5.81	3300	3900	4000
DPG20043**	0.43	3.20	6.40	3300	3900	4000
DPG20058**	0.58	4.36	8.73	3300	3900	4000
DPG20070**	0.70	5.24	10.48	3300	3900	4000
DPG20086**	0.86	6.40	12.81	3000	3600	3200
DPG20097**	0.97	7.27	14.54	2900	3300	2800
DPG20109**	1.09	8.15	16.29	2900	3300	2500
DPG20129**	1.29	9.60	19.20	2600	3000	2200
DPG20144**	1.44	10.77	21.54	2600	3000	2000
DPG20171**	1.71	12.80	25.60	2200	2600	1800
DPG20214**	2.14	16.00	32.00	1700	2200	2000

Due to our policy of continual product improvement, the specifications in this catalog may change without notice. When designing by spec, please request a certified print.

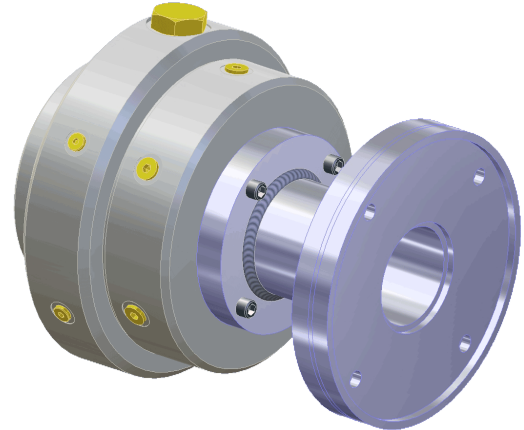


'DPG' GEAR PUMPS

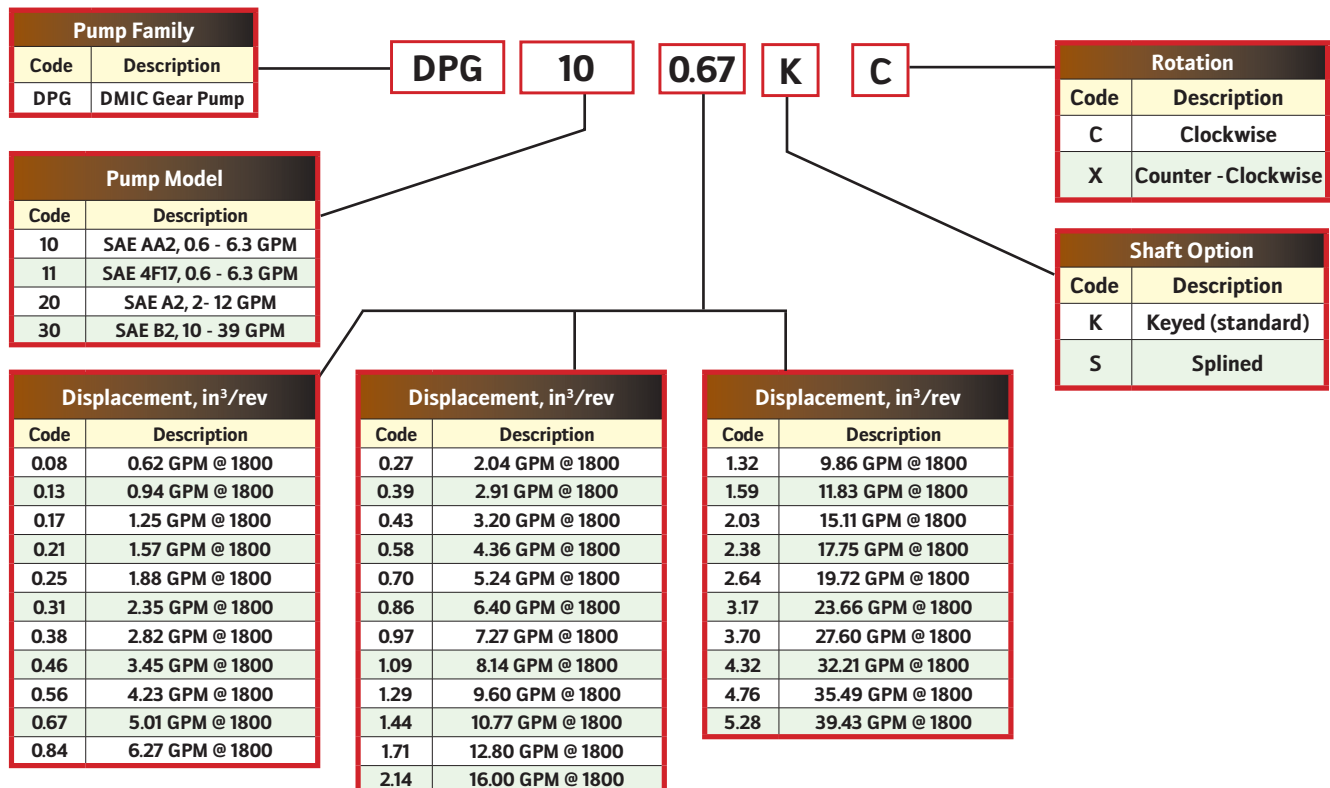
DPG30	Gear Pumps, Size Group 3, SAE B2 Mount					
	Flow Ratings			Pressure Rating		
Part Number	Displ in ³ /rev	Flow GPM @ 1725s ⁻¹	Flow GPM @ 3450s ⁻¹	Continuous PSI	Peak PSI	Max RPM
DPG30132**	1.32	9.86	73.72	3300	3900	3500
DPG30159**	1.59	11.83	23.66	3300	3900	3300
DPG30203**	2.03	15.11	30.23	3300	3900	3300
DPG30238**	2.38	17.75	35.50	3000	3600	3000
DPG30264**	2.64	19.72	39.44	3000	3600	2800
DPG30317**	3.17	23.66	47.32	3000	3600	2500
DPG30370**	3.70	27.60	55.20	2600	3200	2800
DPG30432**	4.32	32.21	64.41	2600	3200	2500
DPG30476**	4.76	35.49	70.98	2200	2800	2300
DPG30528**	5.28	39.43	78.87	2200	2800	2000

'DPH' 10,000 PSI Pumps

'DPH' Radial Piston pump coming soon. Please call DMIC for more details.



Ordering Codes



Due to our policy of continual product improvement, the specifications in this catalog may change without notice. When designing by spec, please request a certified print.

